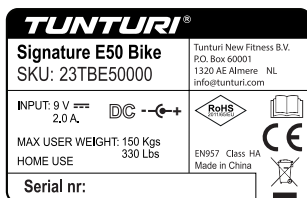


TUNTURI®

SIGNATURE E50 BIKE

GB	User manual	16 - 25
DE	Benutzerhandbuch	26 - 36
FR	Manuel de l'utilisateur	37 - 47
NL	Gebruikershandleiding	48 - 57
IT	Manuale d'uso	58 - 68
ES	Manual del usuario	69 - 79
SV	Bruksanvisning	80 - 89
SU	Käyttöohje	90 - 99

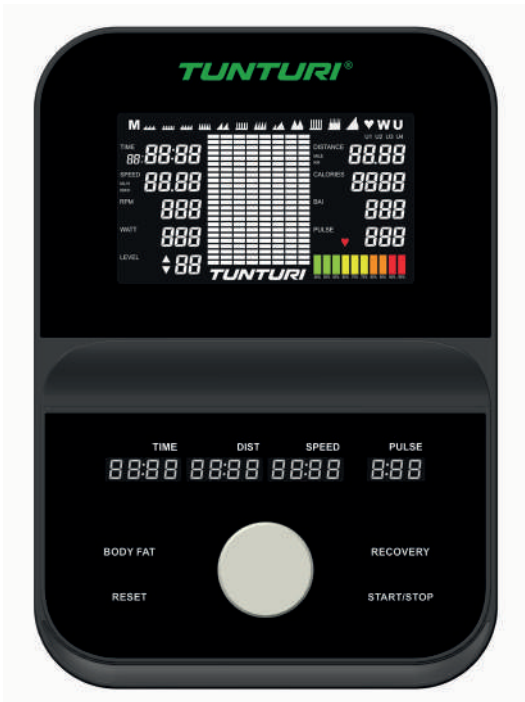


Attention, Achtung, Attention, Attentie, Attenzione, Atención, Giv akt, Huomio

- **Please read this user manual carefully prior to using this product.**
- Lesen Sie sich vor dem Gebrauch des Produkts diese Bedienungsanleitung sorgfältig durch.
- Veuillez lire attentivement le présent manuel de l'utilisateur avant d'utiliser ce produit.
- Lees deze gebruikershandleiding zorgvuldig voordat u dit product gaat gebruiken.
- Leggere attentamente questo manuale dell'utente prima di utilizzare il prodotto.
- Antes de utilizar este producto, lea atentamente este manual de usuario.
- Läs den här användarhandboken noggrant före användning av den här produkten.
- Lue tämä käyttöohje huolellisesti ennen tämän tuotteen käyttöä.



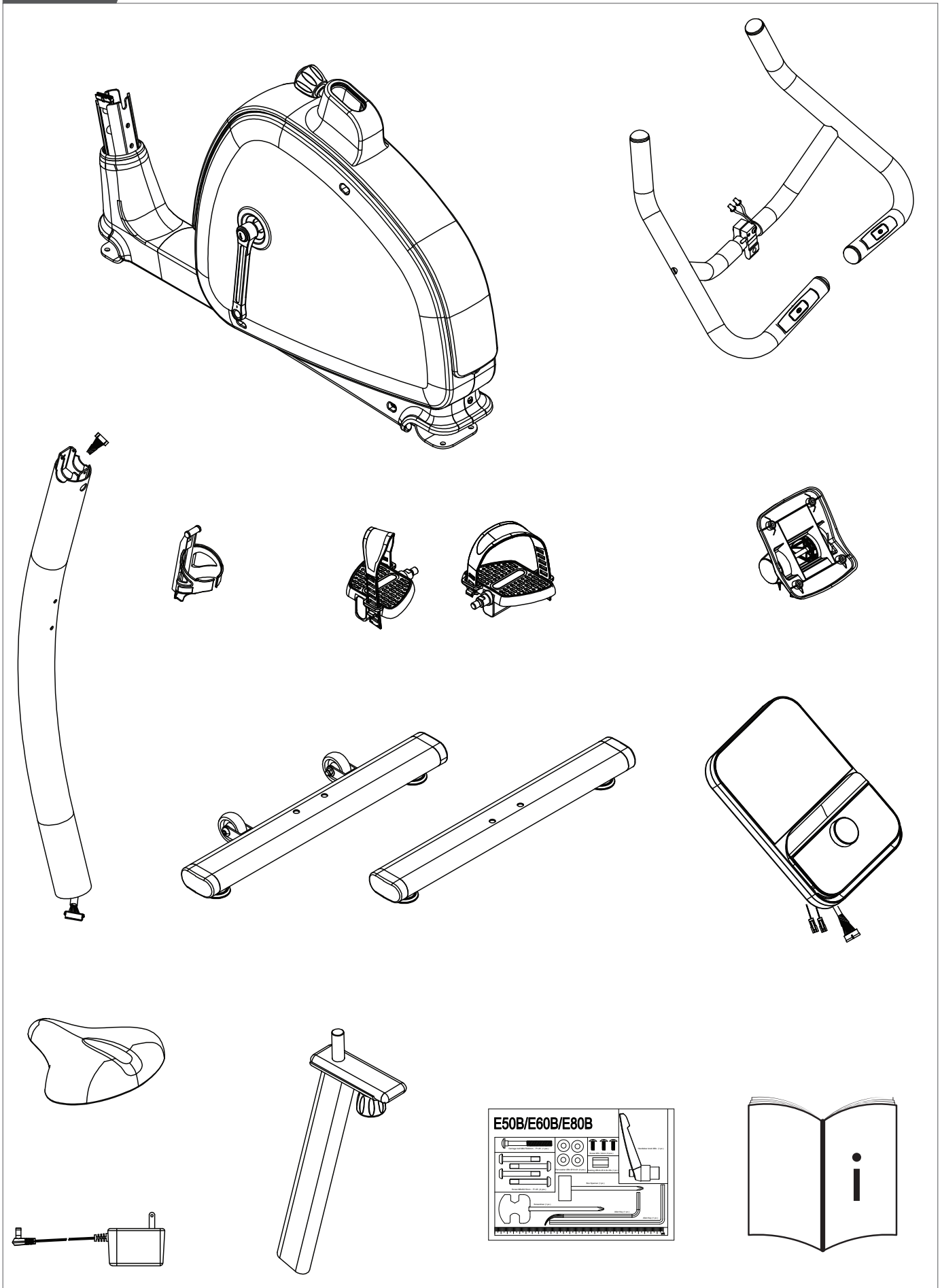
A





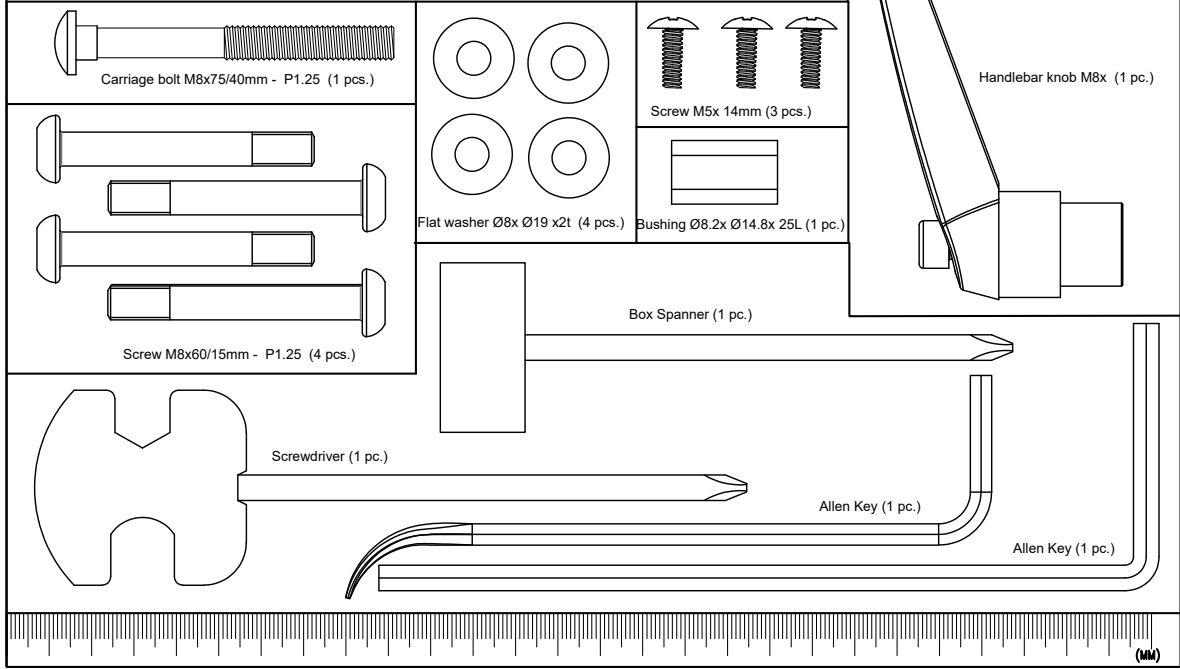
Signature E50 Bike

B

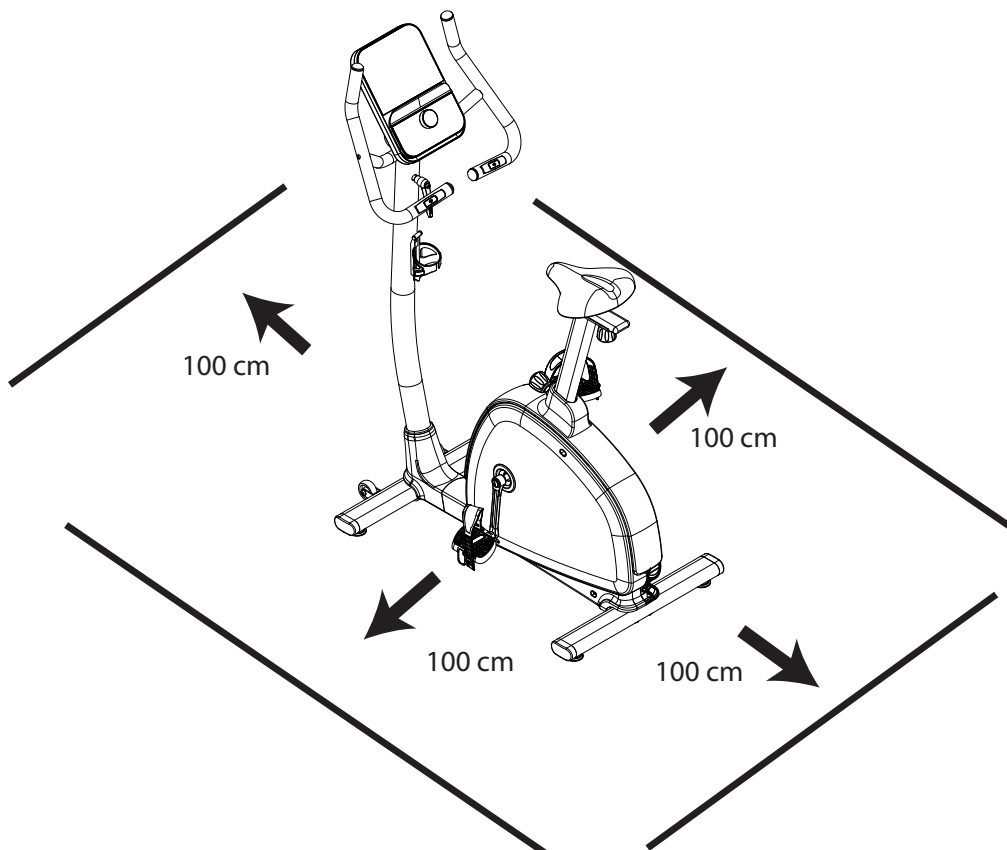


C

E50B/E60B/E80B

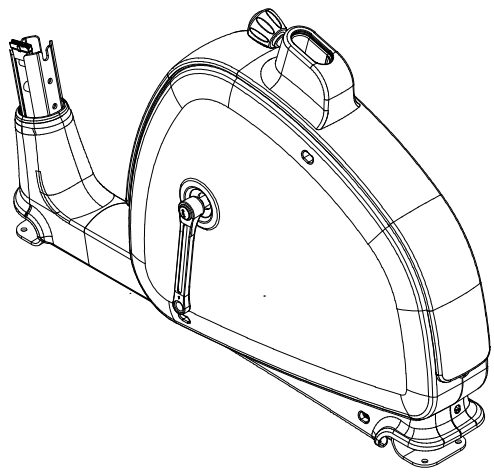
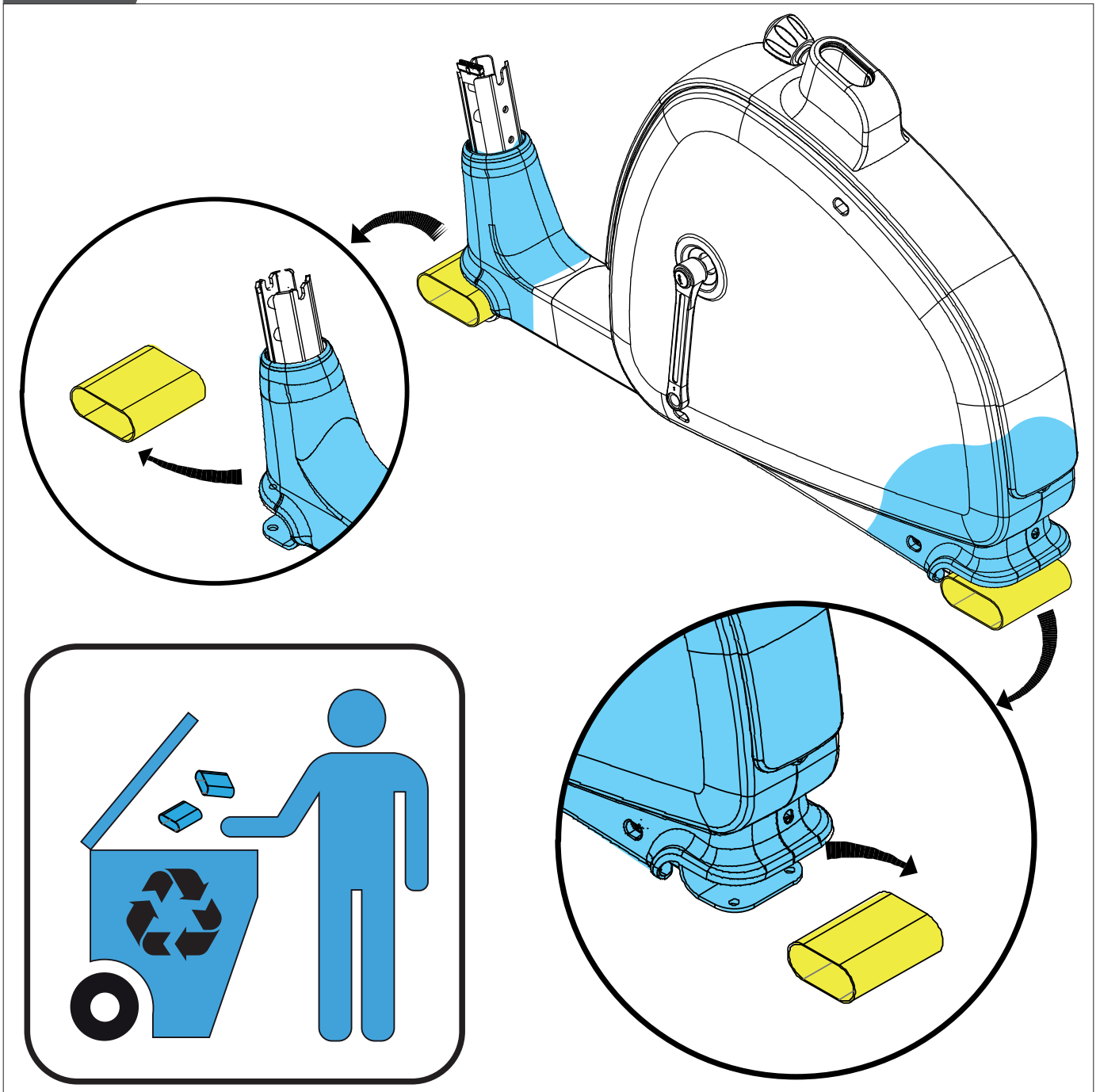


D-0





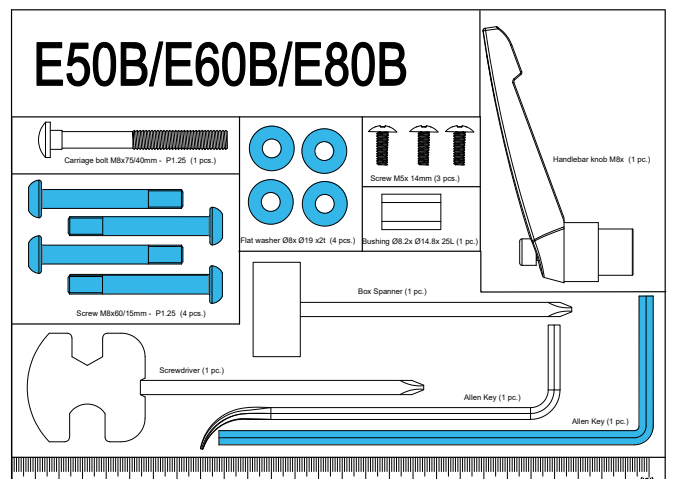
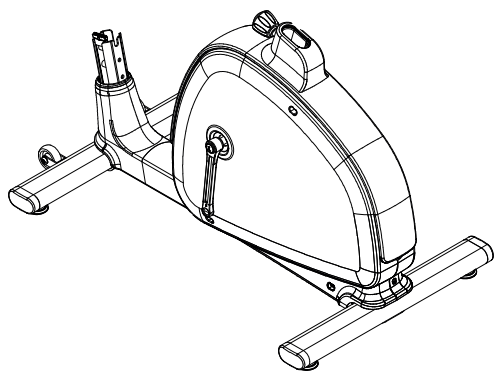
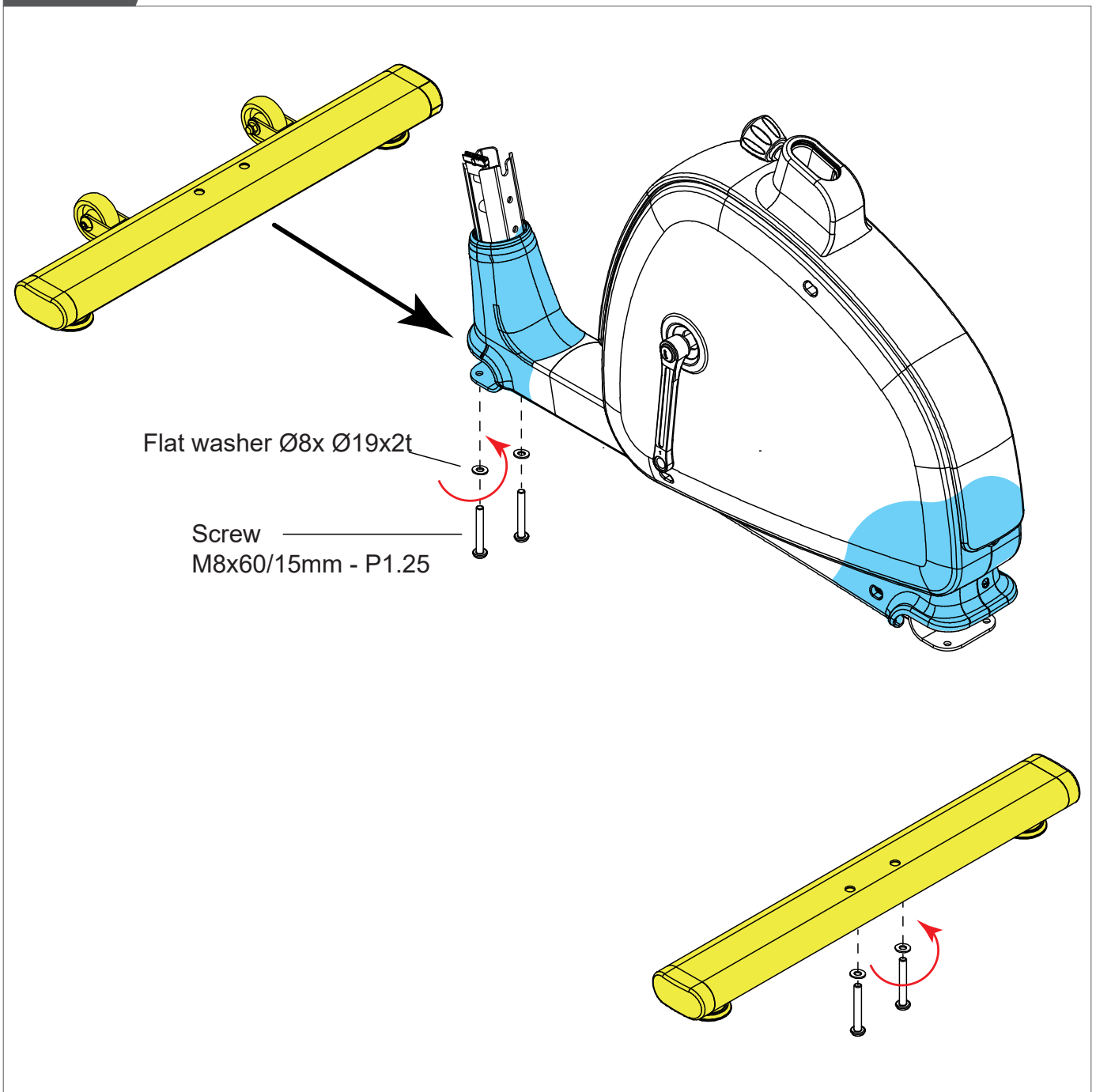
D-1



E50B/E60B/E80B

Carriage bolt M8x75/40mm - P1.25 (1 pcs.)	Flat washer Ø8x Ø19 x2t (4 pcs.)	Screw M5x 14mm (3 pcs.)	Handlebar knob M8x (1 pc.)
Screw M8x60/15mm - P1.25 (4 pcs.)	Bushing Ø8.2x Ø14.8x 25L (1 pc.)	Box Spanner (1 pc.)	
Screwdriver (1 pc.)	Allen Key (1 pc.)	Allen Key (1 pc.)	

D-02



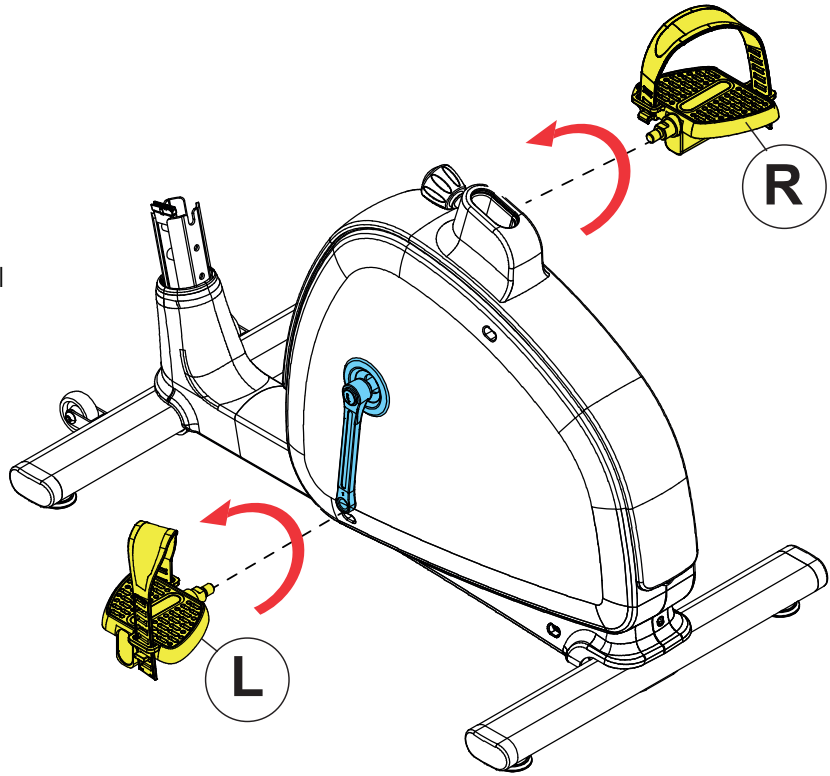


Signature E50 Bike

D-3

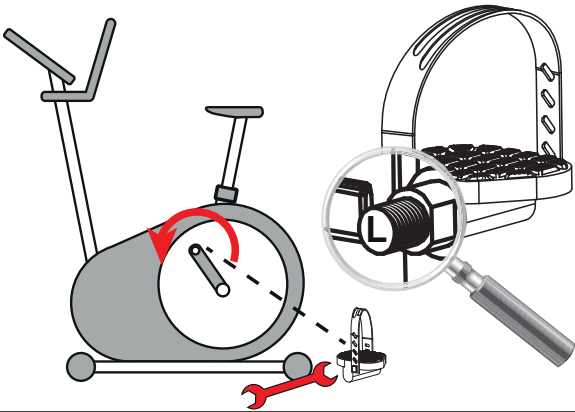


Scan to see YouTube tutorial



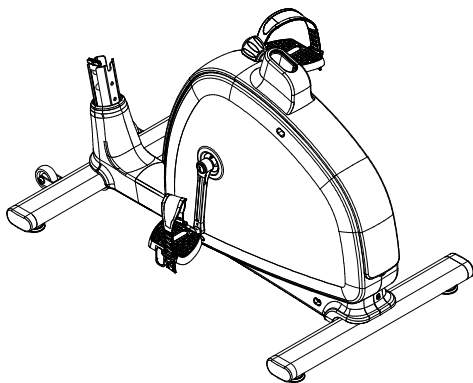
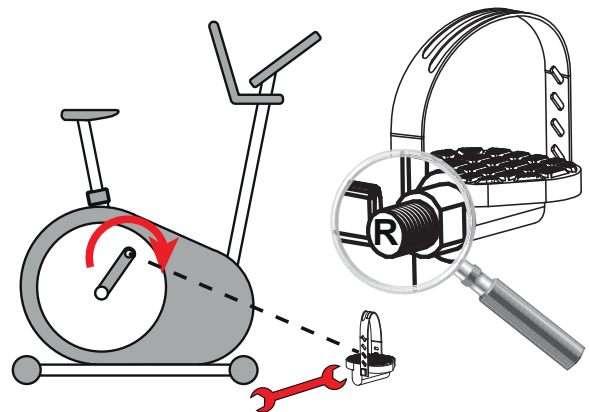
L

Left hand crank
Make sure to use Left hand pedal

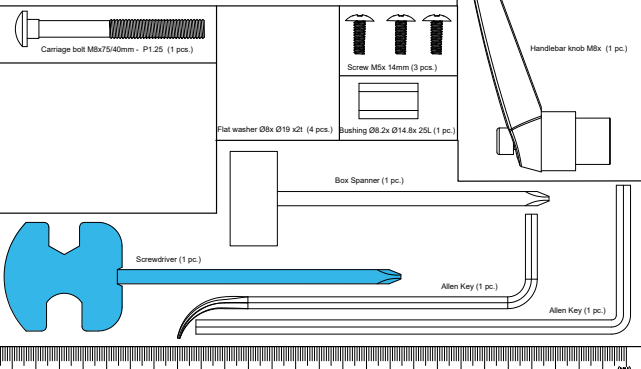


R

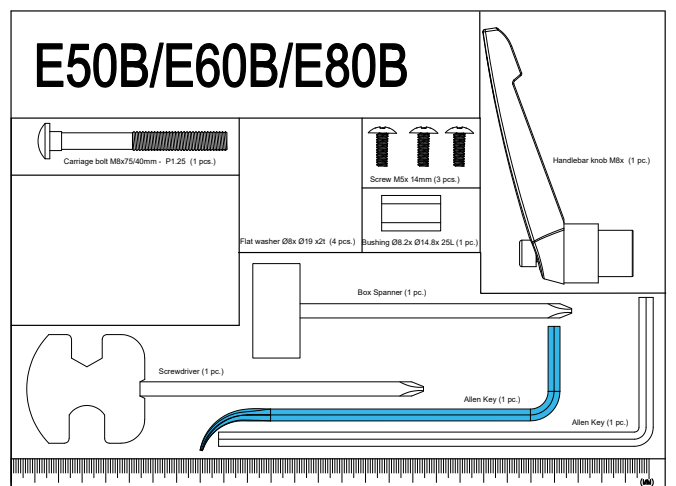
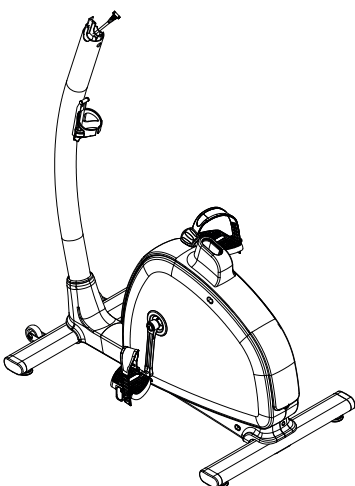
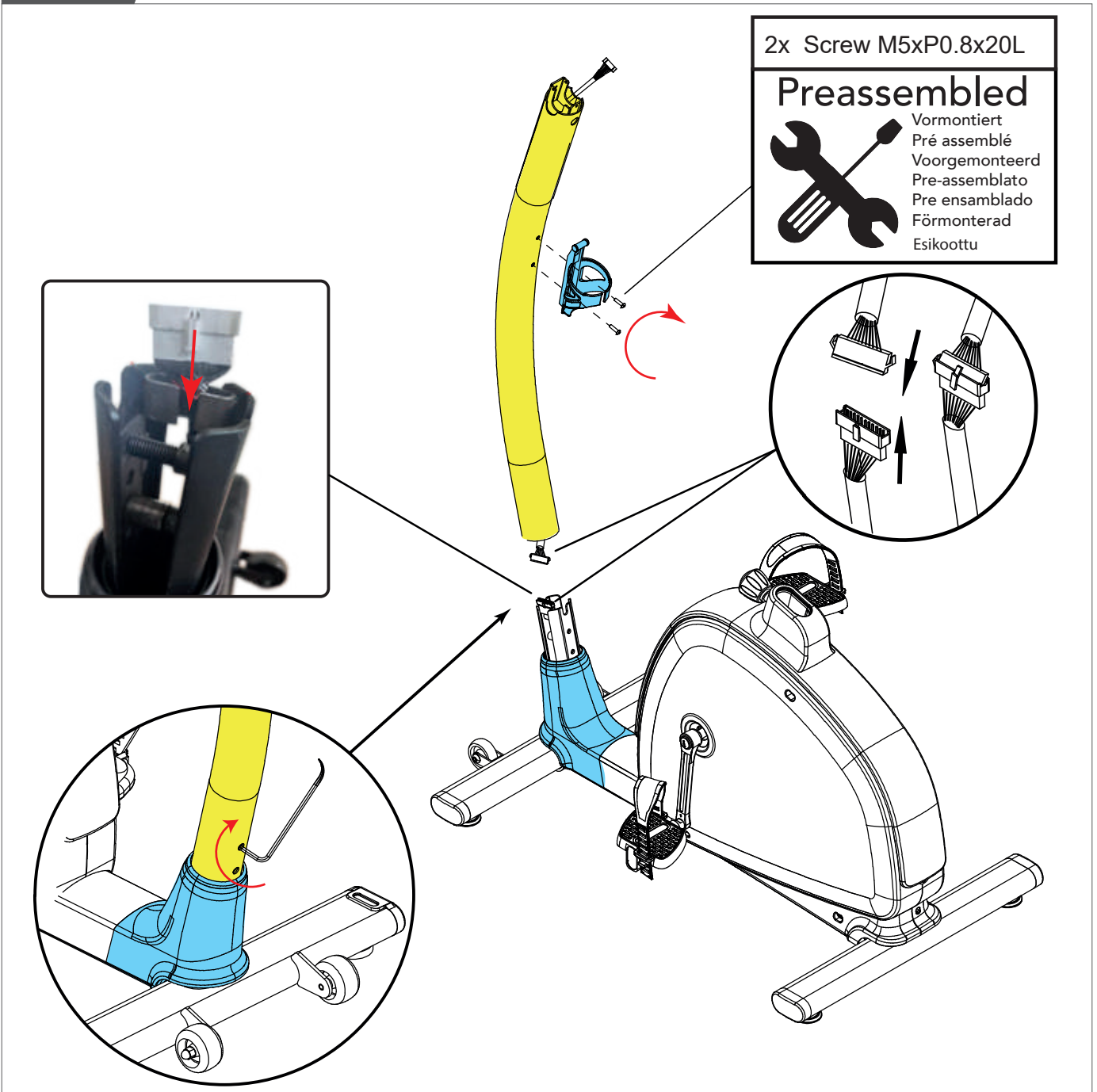
Right hand crank
Make sure to use Right hand pedal



E50B/E60B/E80B

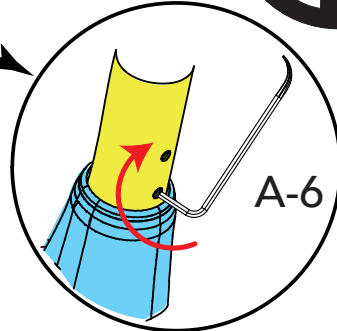
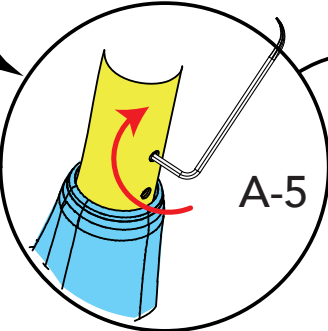
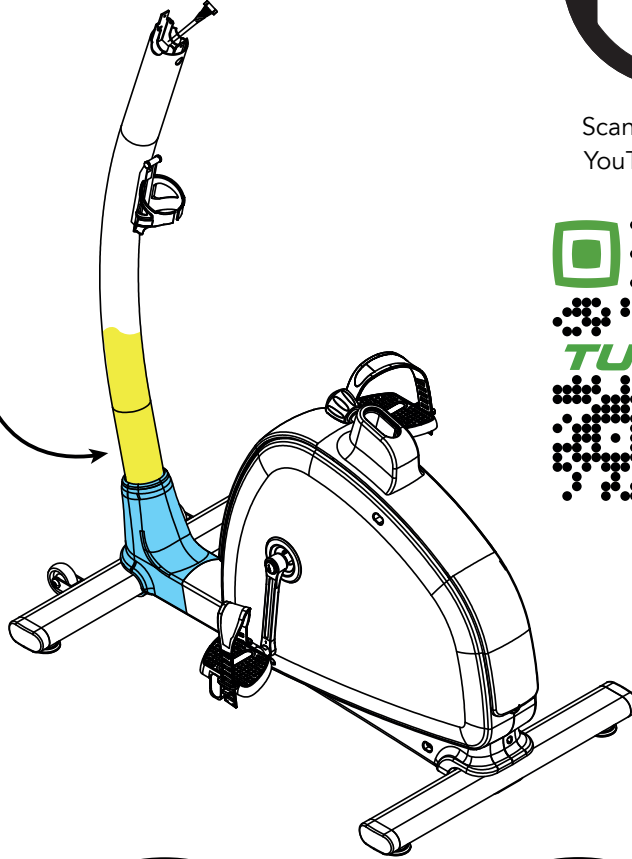
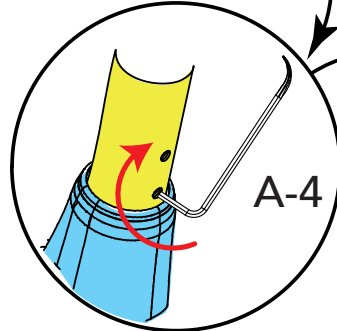
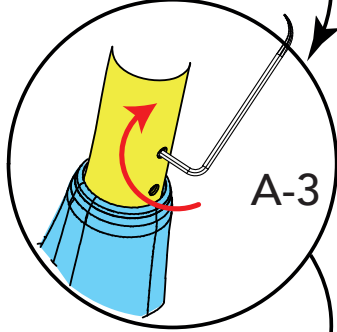
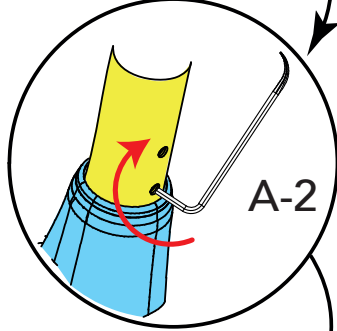
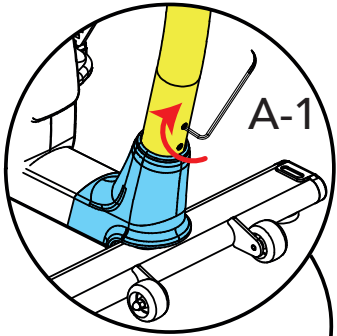



D-4

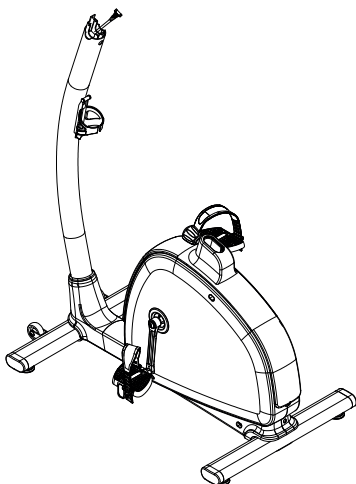
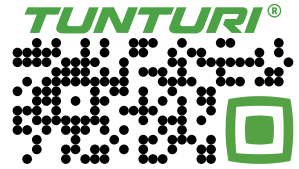




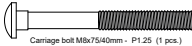
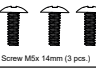
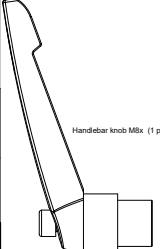
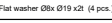
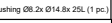
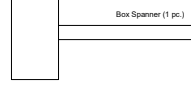

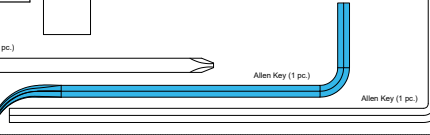
D-5



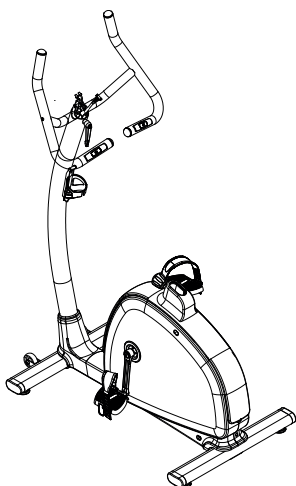
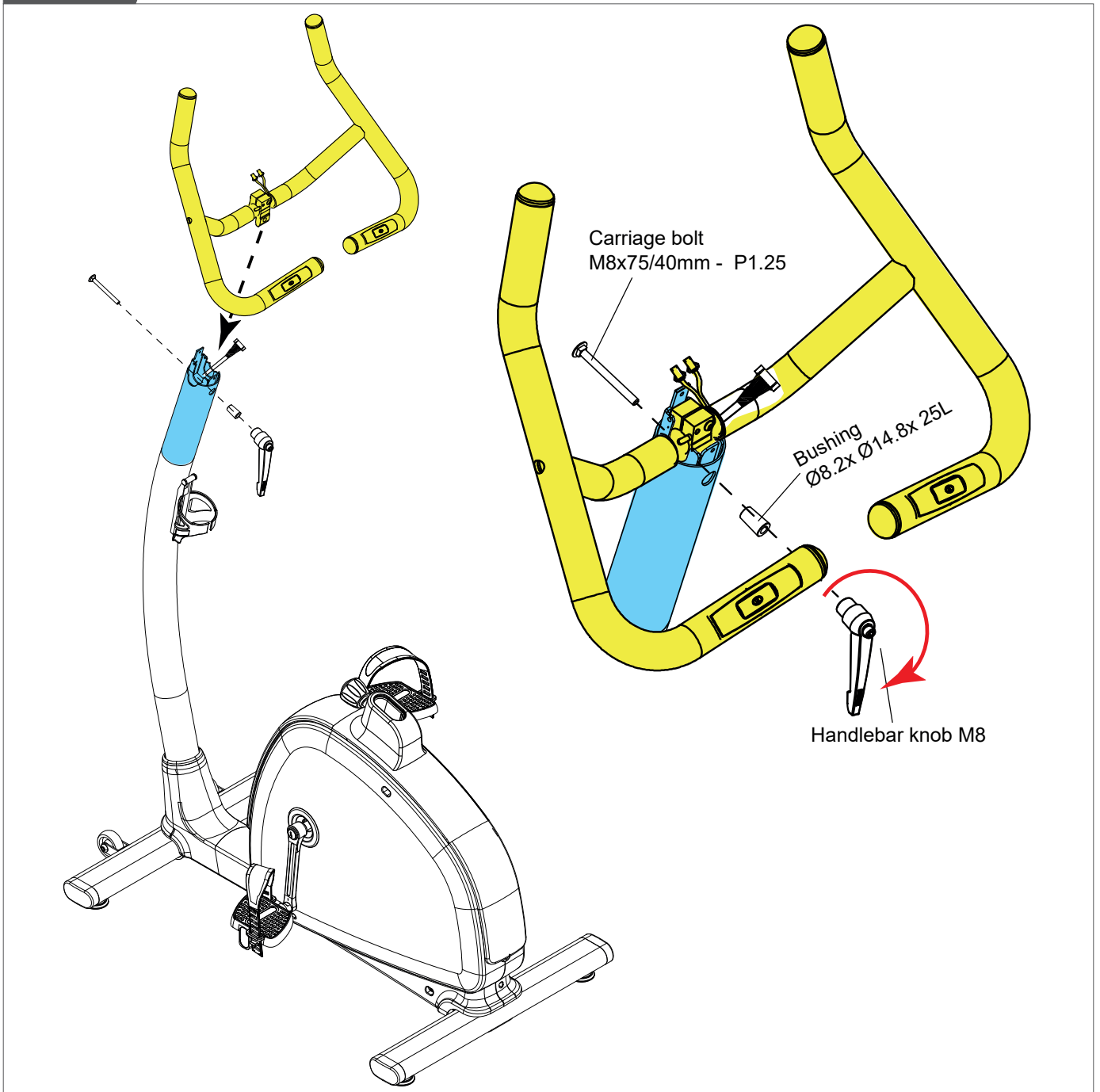
Scan to see  YouTube tutorial



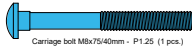
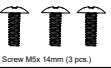
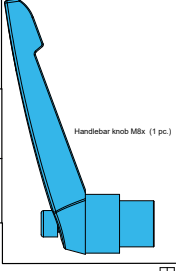


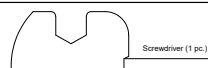
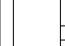
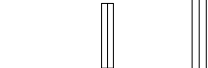
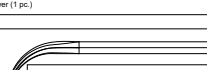
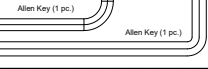
E50B/E60B/E80B

 Carriage bolt M8x75/40mm - P1.25 (1 pcs.)	 Screw M5x 14mm (3 pcs.)	 Handebar knob M8x (1 pc.)
 Flat washer Ø8x Ø19 x2l (4 pcs.)	 Bushing Ø8.2x Ø14.8x 25L (1 pc.)	
 Box Spanner (1 pc.)	 Screwdriver (1 pc.)	 Allen Key (1 pc.)

D-6

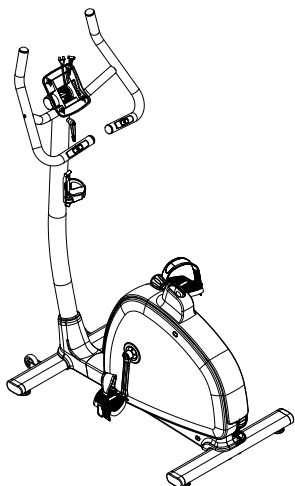
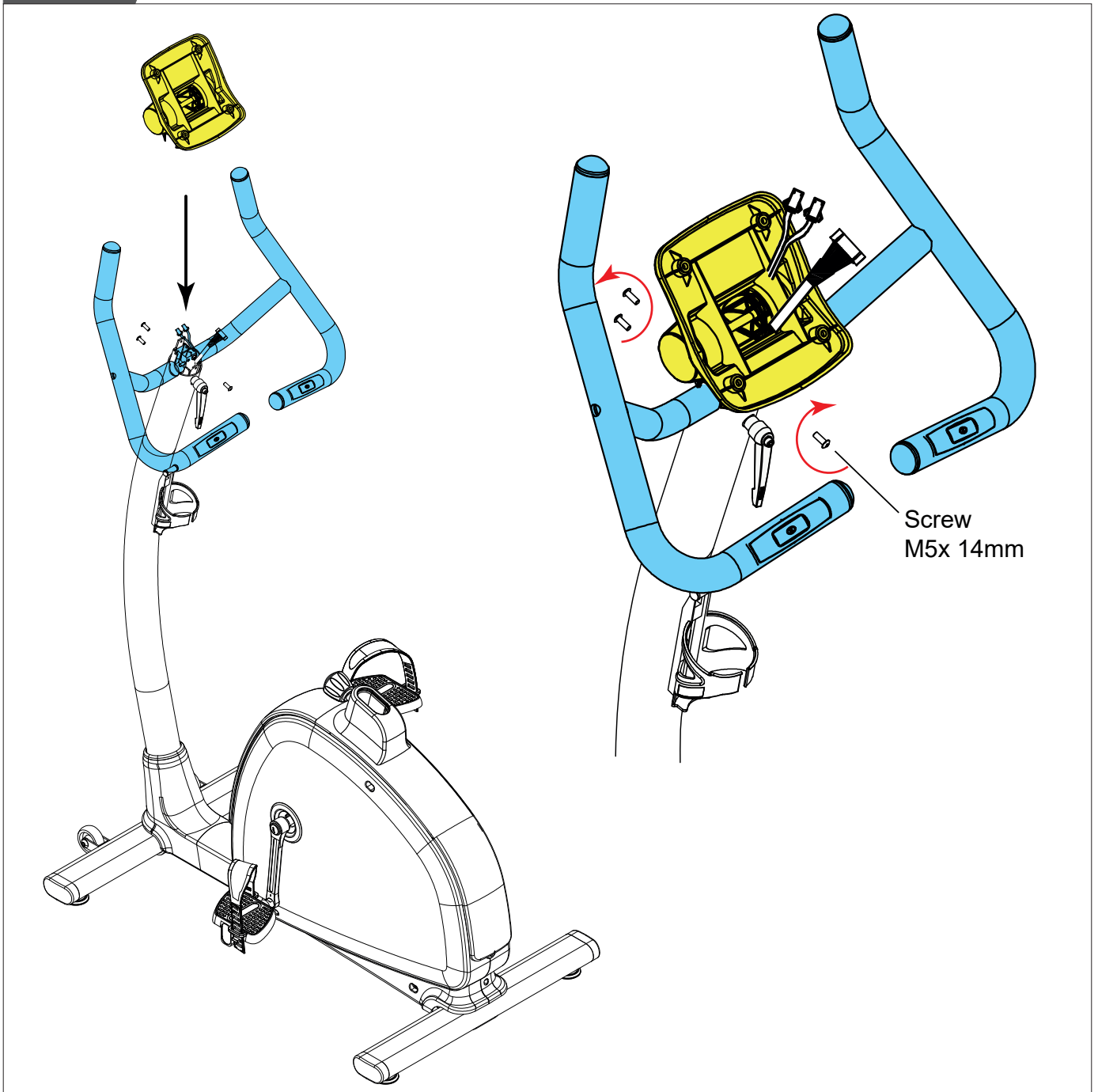


E50B/E60B/E80B

 Carriage bolt M8x75/40mm - P1.25 (1 pcs.)	 Screw M5x 14mm (3 pcs.)	 Handlebar knob M8x (1 pc.)
 Flat washer Ø8x Ø19 x2l (4 pcs.)	 Bushing Ø8.2x Ø14.8x 25L (1 pc.)	
 Screwdriver (1 pc.)	 Box Spanner (1 pc.)	 Allen Key (1 pc.)
 Allen Key (1 pc.)	 Allen Key (1 pc.)	



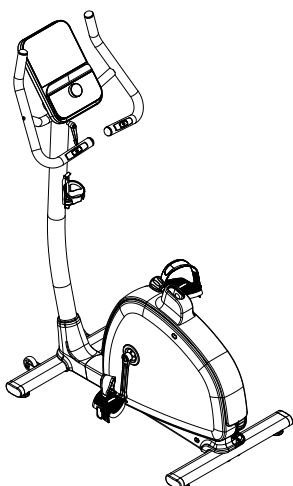
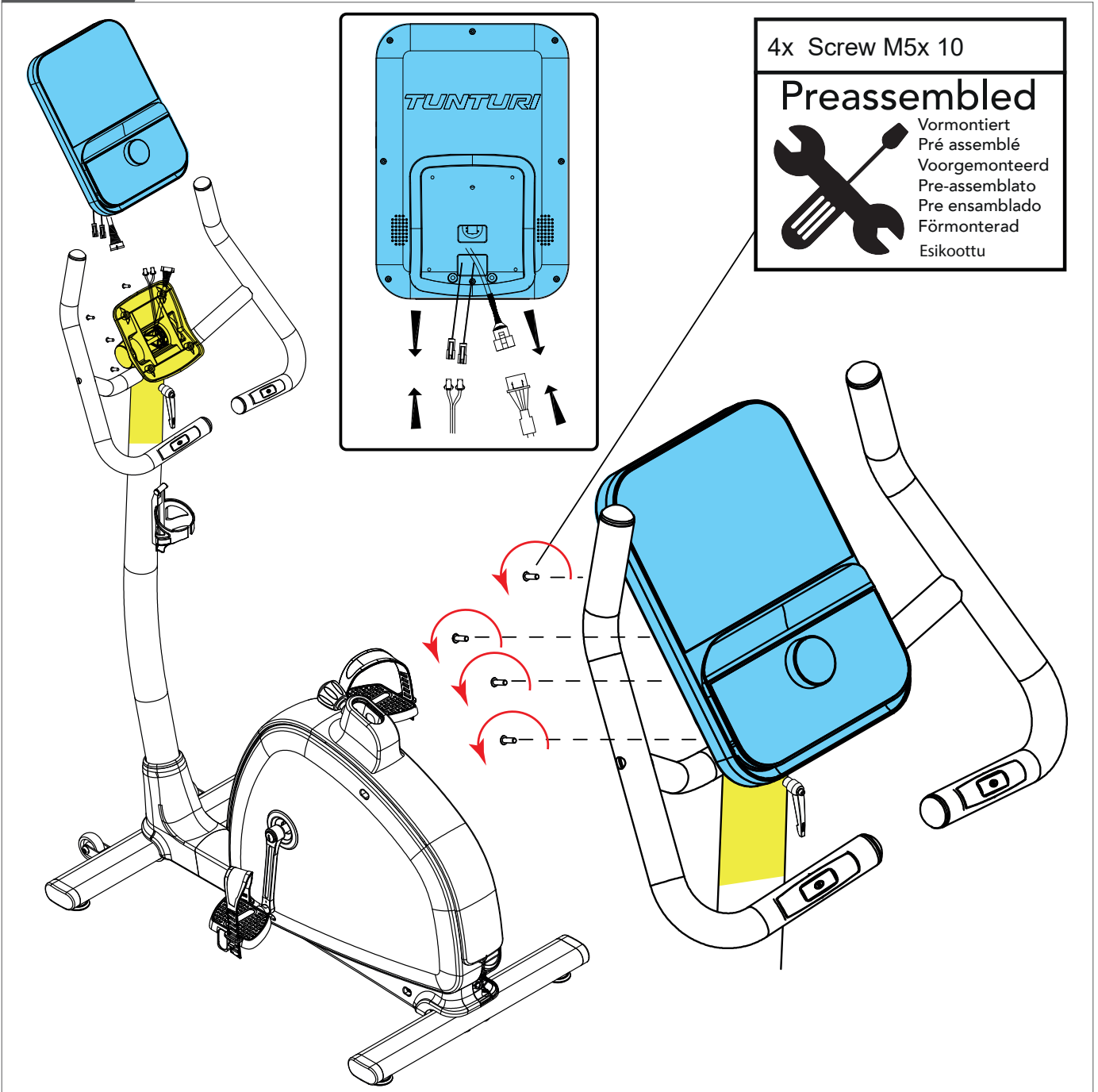
D-7



E50B/E60B/E80B

Carriage bolt M8x75/40mm - P1.25 (1 pcs.)	 Screw M5x 14mm (3 pcs.)	Handlebar knob MBx (1 pc.)
	 Fat washer Ø8x Ø19 x21 (4 pcs.) Bushing Ø8.2x Ø14.6x 25L (1 pc.)	
	 Box Spanner (1 pc.)	
 Screwdriver (1 pc.)	 Allen Key (1 pc.)	 Allen Key (1 pc.)

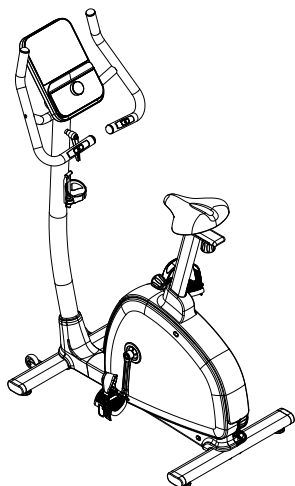
D-8



E50B/E60B/E80B		
Carriage bolt M8x75/40mm - P1.25 (1 pcs.)	Screw M5x 14mm (3 pcs.)	Handlebar knob M8x (1 pc.)
Flat washer Ø8x Ø19 x21 (4 pcs.)	Bushing Ø8.2x Ø14.6x 25L (1 pc.)	
	Box Spanner (1 pc.)	
Screwdriver (1 pc.)	Allen Key (1 pc.)	Allen Key (1 pc.)

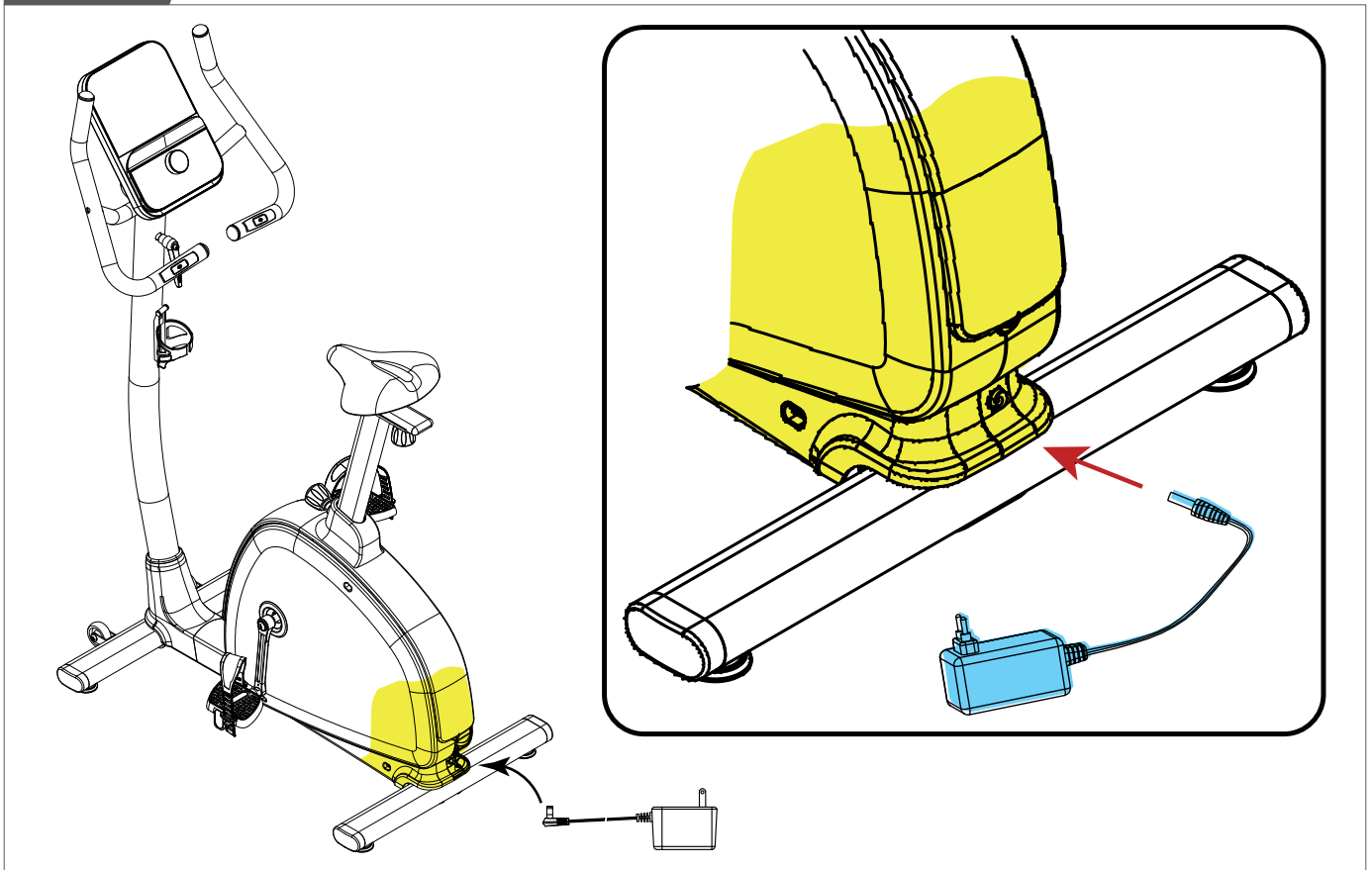


D-9



E50B/E60B/E80B		
Carriage bolt M8x75/40mm - P1.25 (1 pcs.)	Screw M5x 14mm (3 pcs.)	Handlebar knob M8x (1 pc.)
Flat washer Ø8x Ø19 x21 (4 pcs.)	Bushing Ø8.2x Ø14.8x 25L (1 pc.)	
Screwdriver (1 pc.)	Box Spanner (1 pc.)	Allen Key (1 pc.)
		Allen Key (1 pc.)

E



F

#	1	2	3	4	5	6	7	8	9	10	11	12	13	14	15	16	17	18	19	20
P01	4	4	6	6	10	10	4	4	6	6	10	10	4	4	6	6	10	10	4	4
P02	4	4	10	10	4	4	10	10	4	4	10	10	4	4	10	10	4	4	10	10
P03	4	6	8	10	12	4	6	8	10	12	4	6	8	10	12	4	6	8	10	12
P04	4	16	12	4	4	16	12	4	4	16	12	4	4	16	12	4	4	16	12	4
P05	4	4	6	8	10	12	14	16	18	4	4	6	8	10	12	14	16	18	4	4
P06	4	4	18	18	4	4	18	18	4	4	18	18	4	4	18	18	4	4	18	18
P07	4	8	12	16	20	4	8	12	16	20	4	8	12	16	20	4	8	12	16	20
P08	4	4	8	8	12	12	4	4	8	8	12	12	16	16	20	20	12	12	4	4
P09	4	10	12	16	20	24	24	20	16	12	10	12	16	20	24	24	20	16	12	10
P10	4	4	26	26	4	4	26	26	4	4	26	26	4	4	26	26	4	4	26	26
P11	4	4	16	20	28	16	20	28	16	20	28	16	20	28	16	20	28	16	20	28
P12	4	4	6	8	10	12	14	16	18	20	22	24	26	28	30	32	32	20	16	12

Index

Welcome	16
Safety warnings	16
Electrical safety	17
Assembly instructions	17
Description illustration A	17
Description illustration B	17
Description illustration C	17
Description illustration D	17
Additional assembly information	17
Additional environmental information	18
Workouts	18
Exercise Instructions	18
Heart rate	18
Use	19
Adjusting the support feet	19
Adjusting the console	19
Adjusting the horizontal seat position	19
Adjusting the vertical seat position	19
Adjusting the handlebar	19
Power supply	20
Console	20
Explanation Display functions	20
Explanation of buttons	21
Operation	21
Programs	21
Set user	22
Manual mode	22
Program profile 1~12	22
Heart rate control	22
Watt Control (W)	23
User program (U)	23
Recovery	23
Body Fat	23
Bluetooth & APP	24
Cleaning and maintenance	24
Defects and malfunctions	24
Transport and storage	24
Warranty	24
Technical data	25
Declaration of the manufacturer	25
Disclaimer	25

Welcome

Welcome to the world of Tunturi!

Thank you for purchasing this piece of Tunturi equipment.

Tunturi offers a wide range of home fitness equipment, including crosstrainers, treadmills, exercise bikes, rowers, strength benches and multi stations. The Tunturi equipment is suitable for the entire family, no matter what fitness level. For more information, please visit our website www.tunturi.com

Important Safety Instructions

This manual is an essential part of your training equipment please read all instructions in this manual before you start using this equipment. The following precautions must always be followed:

Safety warnings

⚠ WARNING

- Read the safety warnings and the instructions. Failure to follow the safety warnings and the instructions can cause personal injury or damage to the equipment. Keep the safety warnings and the instructions for future reference.

⚠ WARNING

- Heart rate monitoring systems may be inaccurate.
- Over exercise may result in serious injury or death. If you feel faint stop exercising immediately.

- The equipment is suitable for domestic use only. The equipment is not suitable for commercial use.
- Max. usage is limited to 5 hrs a day.
- This appliance can be used by children aged from 8 years and above and persons with reduced physical, sensory or mental capabilities or lack of experience and knowledge if they have been given supervision or instruction concerning use of the appliance in a safe way and understand the hazards involved.
- Children should be supervised to ensure that they do not play with the appliance.
- Before starting your workout, consult a physician to check your health.
- If you experience nausea, dizziness or other abnormal symptoms, immediately stop your workout and consult a physician.
- To avoid muscular pain and strain, start each workout by warming up and finish each workout by cooling down. Remember to stretch at the end of the workout.
- The equipment is suitable for indoor use only. The equipment is not suitable for outdoor use.
- Only use the equipment in environments with adequate ventilation. Do not use the equipment in draughty environments in order not to catch a cold.
- Only use the equipment in environments with ambient temperatures between 10°C~35°C/ 50°F~95°F. Only store the equipment in environments with ambient temperatures between 5°C~45°C/ 41°F~113°F.
- Do not use or store the equipment in humid surroundings. The air humidity must never be more than 80%.
- Only use the equipment for its intended purpose. Do not use the equipment for other purposes than described in the manual.
- Do not use the equipment if any part is damaged or defective. If a part is damaged or defective, contact your dealer.
- Keep your hands, feet and other body parts away from the moving parts.
- Keep your hair away from the moving parts.
- Wear appropriate clothing and shoes.

- Keep clothing, jewellery and other objects away from the moving parts.
- Make sure that only one person uses the equipment at a time. The equipment must not be used by persons weighing more than 150 kg (330 lbs).
- Do not open equipment without consulting your dealer.

Electrical safety

- Before use, always check that the mains voltage is the same as the voltage on the rating plate of the equipment.
- Do not use an extension cable.
- Keep the mains cable away from heat, oil and sharp edges.
- Do not alter or modify the mains cable or the mains plug.
- Do not use the equipment if the mains cable or the mains plug is damaged or defective. If the mains cable or the mains plug is damaged or defective, contact your dealer.
- Always fully unwind the mains cable.
- Do not run the mains cable underneath the equipment. Do not run the mains cable underneath a carpet. Do not place any objects on the mains cable.
- Make sure that the mains cable does not hang over the edge of a table.
- Make sure that the mains cable cannot be caught accidentally or tripped over.
- Do not leave the equipment unattended when the mains plug is inserted into the wall socket.
- Do not pull the mains cable to remove the mains plug from the wall socket.
- Remove the mains plug from the wall socket when the equipment is not in use, before assembly or disassembly and before cleaning and maintenance.

⚠ WARNING

- Never use water or any other liquid directly on or near the equipment, but only via a damp cloth if moist is required to clean the machine.
- Using liquid directly is harmful for the equipment's components, and may result in an electric shock caused by a short cut circuit. This could result in serious personal injury or even death.
- The appliance is only to be used with the power supply unit provided with the appliance.

Assembly instructions

Description illustration A

The illustration shows what the trainer will look like after the assembly is completed.

You can use this as a reference during your assembly, but do follow the assembly steps always in the correct sequence as showed in the illustrations.

Description illustration B

The illustration shows what components and parts you should find when un-boxing your product.

!! NOTE

- Small parts can be hidden/ packed in hollow spaces in the Styrofoam product protection
- If a part is missing, contact your dealer.

Description illustration C

The illustration shows the hardware kit that comes with your product. The hardware kit contains bolts, washers, screws, nuts etc. and the required tools to properly fit your trainer.

Description illustration D

The illustrations show you in the correct following order how to assemble your trainer best.

⚠ WARNING

- Assemble the equipment in the given order.
- Carry and move the equipment with at least two persons.

⚠ CAUTION

- Place the equipment on a firm, level surface.
- Place the equipment on a protective base to prevent damage to the floor surface.
- Allow at least 100 cm of clearance around the equipment.
- Refer to the illustrations for the correct assembly of the equipment.

Additional assembly information

D3 How to fit the pedals correctly.

!! NOTE

- Right and left side are determined from an exercising positions perspective.

Right hand pedal

Find the "R" or "L" mark on the pedal axle

- Fit the right hand pedal "R" into the right hand crank.
- Firstly turn the pedal axle in clockwise direction by hand.
- Use the wrench to fully tighten the pedal.

Left hand pedal

- Fit the left hand pedal "L" into the left hand crank.
- Firstly turn the pedal axle in counter-clockwise direction by hand.
- Use the wrench to fully tighten the pedal.



Click to see our supportive YouTube video
<https://youtu.be/3BiN9mc5Tmw?t=101>

Additional information to Assembly step D4 & D5

- Establish the wire connection between the cable coming from the main frame, and the lower part of the cable pre fitted in the upright tube.
- Place the upright tube over the main frame fixing bracket, in where the fixing bolts are pre-assembled and stay pre-assembled. (While lowering the upright tube, gently pull the upper part of the cable up, to avoid the cable get caught by the connection.)
- The upright tube should automatically find the centre position, but it is advisable to make the slightest correction needed to make sure the position is good.
- The perfect position is when the fixing bolts are perfectly centred in line with the upright tube holes.

!! NOTE

- Avoid the cable connection between these two parts get pinched by securing the cable connector into the bracket.
- By fastening the two bolts (turning in clockwise direction) on the front side you will widen the fixing bracket so the upright gets fixed firmly.

- To fix the upright tube firmly it is needed to tighten the bolt on the upper side first firmly.
- After fixing the upper bolt, you need to fix the lower bolt firmly.
- By fixing the lower bolt, the upright tube will be repositioned slightly resulting that the upper bolt can be fixed a little more, therefore it is needed to fix the upper bolt again.
- Repeat these steps until both bolts are firmly fixed to ensure the upright tube fixation well.



Click to see our supportive YouTube video
<https://youtu.be/3BiN9mc5Tmw?t=180>

!! NOTE

- Save the tools provided with this product, after you completed the product assembly, for future service purposes.

Additional environmental information

Packaging disposal

Government guidelines ask that we reduce the amount of waste material disposed of in land fill sites. We therefore ask that you dispose of all packaging waste responsibly at public recycling centres.

End of life disposal

We at Tunturi hope you enjoy many years of enjoyable use from your fitness trainer. However, a Time will come when your fitness trainer will come to the end of its useful life. Under 'European WEEE Legislation you are responsible for the appropriate disposal of your fitness trainer to a recognised public collection facility.

Workouts

The workout must be suitably light, but of long duration. Aerobic exercise is based on improving the body's maximum oxygen uptake, which in turn improves endurance and fitness. You should perspire, but you should not get out of breath during the workout.

To reach and maintain a basic fitness level, exercise at least three times a week, 30 minutes at a time. Increase the number of exercise sessions to improve your fitness level.

It is worthwhile to combine regular exercise with a healthy diet. A person committed to dieting should exercise daily, at first 30 minutes or less at a time, gradually increasing the daily workout time to one hour. Start your workout at low speed and low resistance to prevent the cardiovascular system from being subjected to excessive strain. As the fitness level improves, speed and resistance can be increased gradually. The efficiency of your exercise can be measured by monitoring your heart rate and your pulse rate.

Exercise Instructions

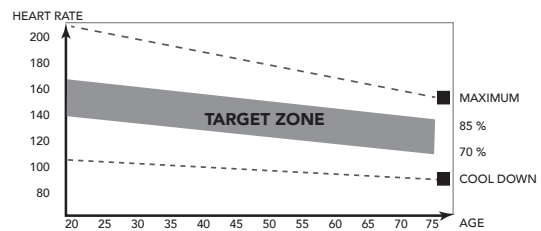
Using your fitness trainer will provide you with several benefits, it will improve your physical fitness, tone muscle and in conjunction with a calorie controlled diet help you lose weight.

The warming up phase

This stage helps get the blood flowing around the body and the muscles working properly. It will also reduce the risk of cramp and muscle injury. It is advisable to do a few stretching exercises as shown below. Each stretch should be held for approximately 30 seconds, do not force or jerk your muscles into a stretch - if it hurts, STOP

The exercise phase

This is the stage where you put the effort in. After regular use, the muscles in your legs will become more flexible. Work to your but it is very important to maintain a steady tempo throughout. The rate of work should be sufficient to raise your heart beat into the target zone shown on the graph below.



This stage should last for a minimum of 12 minutes though most people start at about 15-20 minutes

The cool down phase

This stage is to let your Cardiovascular System and muscles wind down. This is a repeat of the warm up exercise e.g. reduce your tempo, continue for approximately 5 minutes. The stretching exercises should now be repeated, again remembering not to force or jerk your muscles into the stretch.

As you get fitter you may need to train longer and harder. It is advisable to train at least three times a week, and if possible space your workouts evenly throughout the week.

Muscle toning

To tone muscle while on your fitness trainer you will need to have the resistance set quite high. This will put more strain on our leg muscles and may mean you cannot train for as long as you would like. If you are also trying to improve your fitness you need to alter your training program. You should train as normal during the warm up and cool down phases, but towards the end of the exercise phase you should increase resistance making your legs work harder. You will have to reduce your speed to keep your heart rate in the target zone.

Weight loss

The important factor here is the amount of effort you put in. The harder and longer you work the more calories you will burn. Effectively this is the same as if you were training to improve your fitness, the difference is the goal.

Heart rate

Pulse rate measurement (hand pulse sensors)

The pulse rate is measured by sensors in the handlebars when the user is touching both sensors at the same time. Accurate pulse measurement requires that the skin is slightly moist and constantly touching the hand pulse sensors. If the skin is too dry or too moist, the pulse rate measurement will become less accurate.

!! NOTE

- Do not use the hand pulse sensors in combination with a heart rate chest belt.
- If you set a heart rate limit for your workout, an alarm will sound when it is exceeded.

Heart rate measurement (heart rate chest belt)

!! NOTE

- A chest strap does not come standard with this trainer. When you like to use a wireless chest strap you need to purchase this as an accessory.

The most accurate heart rate measurement is achieved with a heart rate chest belt. The heart rate is measured by a heart rate receiver in combination with a heart rate transmitter belt. Accurate heart measurement requires that the electrodes on the transmitter belt are slight moist and constantly touching the skin. If the electrodes are too dry or too moist, the heart rate measurement will become less accurate.

WARNING

- If you have a pacemaker, consult a physician before using a heart rate chest belt.

CAUTION

- If there are several heart rate measurement devices next to each other, make sure that the distance between them is at least 1.5 metres.
- If there is only one heart rate receiver and several heart rate transmitters, make sure that only one person with a transmitter is within transmission range.

NOTE

- Do not use a heart rate chest belt in combination with the hand pulse sensors.
- Always wear the heart rate chest belt under your clothes directly in contact with your skin. Do not wear the heart rate chest belt above your clothes. If you wear the heart rate chest belt above your clothes, there will be no signal.
- If you set a heart rate limit for your workout, an alarm will sound when it is exceeded.
- The transmitter transmits the heart rate to the console up to a distance of 1 metre. If the electrodes are not moist, the heart rate will not appear on the display.
- Some fibers in clothes (e.g. polyester, polyamide) create static electricity which can prevent accurate heart rate measurement.
- Mobile phones, televisions and other electrical appliances create an electromagnetic field which can prevent accurate heart rate measurement.

Maximum heart rate (during training)

The maximum heart rate is the highest heart rate a person can safely achieve through exercise stress. The following formula is used to calculate the average maximum heart rate: $220 - \text{AGE}$. The maximum heart rate varies from person to person.

WARNING

- Make sure that you do not exceed your maximum heart rate during your workout. If you belong to a risk group, consult a physician.

Beginner

50-60% of maximum heart rate

Suitable for beginners, weight-watchers, convalescents and persons who have not exercised for a long time. Exercise at least three times a week, 30 minutes at a time.

Advanced

60-70% of maximum heart rate

Suitable for persons who want to improve and maintain fitness. Exercise at least three times a week, 30 minutes at a time.

Expert

70-80% of maximum heart rate

Suitable for the fittest of persons who are used to long-endurance workouts.

Use

Adjusting the support feet

The equipment is equipped with adjustable support feet. If the equipment feels unstable, wobbly, or not levelled well, these support feet can be adjusted to make the required corrections.

- Turn the support feet in/ out as required to put the equipment in a stable and as well possible levelled position.
- Tighten the locknut's* to lock the support feet.

NOTE

- The equipment is most stable when it is as low to the floor as possible. Therefore, start to level the equipment by turning all support feet fully in, before turning out the required support feet to stabilize and level the equipment.



Click to see our supportive YouTube video
<https://youtu.be/3BiN9mc5Tmw?t=535>

Adjusting the console

The console viewing angle can be adjusted according to the height and the exercise position of the user.

- Adjust the console freely to the desired position without the need to release the fixture position.
- The console holder bracket is an auto fix system.

NOTE

- When the console cannot hold the desired position securely, you can tighten the fixture easily.
- Remove the round end caps of the pivot, and tighten the exposed screws slightly to your desired tightness, in where the console holds firmly, but still smooth enough to adjust the viewing angle.

Adjusting the horizontal seat position

The horizontal seat position can be adjusted by setting the seat to the required position.

- Loosen the seat adjustment knob.
- Move the seat to the required position.
- Tighten the seat adjustment knob.

Adjusting the vertical seat position

The vertical seat position can be adjusted by setting the seat tube to the required position. With the leg almost straight, the arch of the foot must touch the pedal at its lowermost point.

- Loosen the seat tube adjustment knob.
- Move the seat tube to the required position.
- Tighten the seat tube adjustment knob.



Click to see our supportive YouTube video
<https://youtu.be/3BiN9mc5Tmw?t=486>

Adjusting the handlebar

The handlebar can be adjusted according to the height and the exercise position of the user.

- Loosen the handlebar adjustment knob.
- Move the handlebar to the required position.
- Tighten the handlebar adjustment knob.

!! NOTE

- The handlebar adjust handle comes with a spring loaded system making it easy to position the handle in any directly after fixing the handlebar.
- Pull the handle out, while pressing with your thumb on the centre button to move it freely. Release to activate the fixing/ release function again.

Power supply

The trainer is powered by an external power supply. Refer to the illustration to locate the trainer power input. (Fig. E)

!! NOTE

- Connect the power supply with the trainer before connecting it to the wall outlet.
- Always remove power cord when machine is not in use.

Console



1. Display
2. Tablet/ book support
3. Buttons
4. USB Charging port

! CAUTION

- Keep the console away from direct sunlight.
- Dry the surface of the console when it is covered with drops of sweat.
- Do not lean on the console.
- Only touch the display with the tip of your finger. Make sure that your nails or sharp objects do not touch the display.

!! NOTE

- The console switches to standby mode when the equipment is not used for 4 minutes.

Explanation Display functions

Time

- Without setting the target value, time will count up.
- When setting the target value, time will count down from your target time to 0 and alarm will sound or flash.
- Display Range: 00:00:00 ~ 23:59:59.

The additional Time display (under the tablet holder) will duplicate the time window, being limited to show minutes and seconds only.

Speed

- Displays current training speed.
- Display Range: 0.0 ~ 99.9 km/h.
- Without any signal being transmitted into the monitor for 4 seconds during workout, SPEED will display "0.0"

The additional Speed display (under the tablet holder) will duplicate the main Speed window.

RPM

- Displays the Rotation Per Minute.
- Display Range: 0 - 15 ~ 999 RPM.
- Without any signal being transmitted into the monitor for 4 seconds during workout, RPM will display "0"

Watt

- Display current workout watts.
- Display Range: 0 ~ 999 Watt.
- ▲ Symbol is displayed in Level window when set target Watt is lower than current workout watt output. You pedal too fast, or set target is too low.
- ▼ Symbol is displayed in Level window when set target Watt is higher than current workout watt output. You pedal too slow, or set target is too high.

Level

- Shows tension level setting, when adjusting resistance, for 3 seconds.
- ▲ Symbol will blink in the Level window when working out in a pre programmed profile 3 seconds before the tension level goes up to notify you for an upcoming tension increase following the profile.
- ▼ Symbol will blink in the Level window when working out in a pre programmed profile 3 seconds before the tension level goes down to notify you for an upcoming tension decrease following the profile.

!! NOTE

- If no time target is set, the arrow up/ down symbols will not notify the resistance adjustment 3 seconds prior to resistance change.

Distance

- Without setting the target value, distance will count up.
- When setting the target value, distance will count down from your target distance to 0 with an alarm sound or flash.
- Display Range: 0.00 ~ 99.99 KM.

The additional Distance display (under the tablet holder) will duplicate the main Distance window.

Calories

- Without setting the target value, calorie will count up.
- When setting the target value, calories will count down from your target calorie to 0 with an alarm sound or flash.
- Display Range: 0 ~ 999 calories.

!! NOTE

- This data is a rough guide for comparison of different exercise sessions which cannot be used in medical treatment

Pulse

- Current pulse will display after 6 seconds when detected by the console.
- Without any pulse signal for 6 seconds, console will display "P".

- Pulse alarm will sound when current pulse is over the target pulse.
- Display Range: 0 - 40 ~ 200 BPM

!! NOTE

- The red pulse icon will blink when a heart rate is received, it takes a few seconds to show the hart rate as a figure because of the needed average calculation process.
- The measured value cannot be used as a medical basis.

The additional Pulse display (under the tablet holder) will duplicate the main Pulse window.

4 color Heart rate zone display.

The 4 colour heart rate display shows your hart rate zone based on the user set age in percentage.

The calculation is as followed.

Measure HR divided by Max. HR , multiply the outcome by 100.

Max heart rate for men (220 - Age)

Max heart rate for women (226 - Age)

BAI™

- Display BAI consumption BAI value during workout.
- Display range 0~999

!! NOTE

- BAI (Body Activity Index) is the sum up of effective training volume.
- Training volume = Training Intensity x Training time.

BAI calculates effective training volume based on your heart rate, age, gender and duration.

During the workout, you can see BAI accumulates. As soon as you complete a workout session, you can obtain a total BAI point of this session, which is the total effective training volume of this session.

If you train harder, higher heart rate zone, you get BAI points faster. If you train less hard, lower heart rate zone, you get BAI points slow. We recommend to workout by accumulating 100 BAI points every week to enhance your cardio capability.

Centre display

- Top row shows the program profiles.
- The right upper corner shows the selected user (U1, U2, U3, U4)
- Lower Dot display will show the program profile intensity curve graphically.
 - * In tension control: Each dot represents 2 tension levels.
 - * In HRC mode: Each dot represents a tension level as if it was tension controlled.
 - * In Watt mode: Each dot represents a tension level as if it was tension controlled.

Explanation of buttons

Turn dial button clockwise (up)

- Increase resistance level
- Setting selection.

Turn dial button counter-clockwise (down)

- Decrease resistance level
- Setting selection.

Press dial button (mode/ enter)

- Confirm setting or selection.
- Stop display scan function, and fix current parameter in centre display.
- Go to next parameter when being in Fixed display mode.

!! NOTE

- When stopped the scan mode by fixing a specific parameter, there is no way to activate the "scan" function again, other than quickly press "Start/ Stop" twice to rapidly pause and restart your workout again.

Reset

- In setting mode, press RESET key once to reset the current function figures.
- Press RESET key and hold for 3 seconds to reset all function figures

Start/ Stop

- Start or Stop workout

Body Fat

- Test body fat% and BMI in stop mode.

Recovery

- After the console detects pulse signal, press the RECOVERY key to enter recovery mode to monitor heart rate recovery ability

Operation

Power on

- Plug in power supply to power on computer.
- Press any key to power on the console when being in sleep mode..
- Start pedalling to power on the console when being in sleep mode.

!! NOTE

- The console switches to sleep mode when the equipment is not used for 4 minutes.

Sleep mode


When the console is in sleep mode, all information windows are blacked out as if it is in off mode.

Power off

- To power off the trainer it is required to remove the power source from the trainer.

Workout selection

Use dial button function to select:

M	Manual
P1 ~ P12	Program profile 1 ~ 12
	Heart rate control
W	Watt control
U	User program

USB function

The user can connect their device to charge during workout. Voltage/ Current: 5VDC/ 1.0 Amp

Programs

Quick start

- Press START/ STOP key to start your workout without any pre-set setting.
- Use dial button function to adjust resistant level during workout.

End or Pause your workout

- Press START/ STOP in workout mode to stop/ pause your workout. To resume your workout press START/ STOP button in pause mode.
- Press RESET key (in Pause mode) to reset all workout data.

- Press and hold RESET key for over 3 seconds to reset console. (Active training data will be lost)

QUICK TIP

- When being in Pause mode, you can use the "Dial button" to adjust your set goals.
- Press dial button to select: Time/ Distance/ Calories and or Pulse.
- Turn dial to set the goal as preferred, and press "Mode" to select first next parameter to change if required, or press "Start/ Stop" button to resume workout.

Set user

A user can be selected when console is in "Start up" mode.
When console is in functional mode, Press and hold "RESET" key for over 3 seconds, to restart console and turn to "Start up" mode.
You see "U1" blinking (or last selected user U1~U4).

- Select user, turn dial to select U1~U4, confirm by press dial button.
- Select Gender, use dial button to select ♂ (Male)/ ♀ (Female), confirm by press dial button.
- Set Age (A), use dial button to select
Setting range: 1 ~ 99 (±1), confirm by press dial button.
- Set Height (H), use dial button to set
Setting range: 100~200 cm (±1), confirm by press dial button.
- Set Weight (W), use dial button to set
Setting range: 20~150 kg (±1), confirm by press dial button.

!! NOTE

- Setting correct user parameters is required for the :
 1. Correct heart rate target program functionality.
 2. Correct body fat en BMI measurement function.
- Selecting a user determines what "User programs" will be loaded. See "User Program"

Manual mode

- Use Dial Up/ Down function to select workout program, Select M (manual) mode, confirm by press dial button.
- Use Dial button to pre-set training time, Setting range: 1:00 ~ 23:59:00 minutes (± 1:00), confirm by press dial button.
- Use Dial button to pre-set training Distance, Setting range: 0.10 ~ 99.90 Km. (± 0.10), Confirm by press dial button
- Use Dial button to pre-set training Calories, Setting range: 10 ~9990 Cal. (± 10), Confirm by press dial button.
- Use Dial button to set a limit for Pulse, Setting range: 40 ~200 BPM (± 1), confirm by press dial button.

- Press START/ STOP key to start workout.
- Use Dial button to adjust resistance level.
Load level is shown in LEVEL window.

!! NOTE

- When setting more than one goal, the training will end at first achieved goal.
- Leave a goal blank and it will not be seen as a pre-set limit.
- When setting a pulse limit, the workout will not stop when exceeding the set limit. An acoustic alarm will notify the user when exceeding the limit as a warning.

Program profile 1~12

- Use Dial Up/ Down function to select workout program, Select one of the pre-set profiles, confirm by press dial button.
- Use Dial button to pre-set training time, Setting range: 1:00 ~ 23:59:00 minutes (± 1:00)

- Press START/ STOP key to start workout
- Use Dial button to adjust resistance level.
The complete profile will be scaled proportionally
Load level is shown in LEVEL window.

In Program profile mode, the tension will be adjusted automatically to a pre set profile.

!! NOTE

- The duration of each segment in the profile is 1/20 of your pre set training time.
- If no training time is set, the duration of each segment will be 100 mtr, and will restart the profile again repeatedly until you stop the workout yourself.

!! NOTE

- Find an overview of each program profile at section F being published after the assembly steps drawings.

Heart rate control

- Use dial button function to select workout program, Select HRC (heart icon), confirm by press dial button.
- Use Dial Up/ Down function to set the HRC target:
55% = 55% of the sum (220 minus *Age)
75% = 75% of the sum (220 minus *Age)
90% = 90% of the sum (220 minus *Age)
TA = Target (Default 100)

*Age parameter needs to be set in "Set User".

- confirm by press dial button.
- When set TA, Use Dial Up/ Down function to set target (40~200), confirm by press dial button.
- Use Dial button to pre-set training time, Setting range: 1:00 ~ 23:59:00 minutes (± 1:00)

- Press START/ STOP key to start workout
- Use RESET, to go back to main menu.

In Cardio mode, the tension will be adjusted automatically to an insensitivity in where your hart rate reaches the Pre set HRC target.

!! NOTE

- The Cardio mode requires a heart rate signal to function.
- Question mark and heart Symbol is shown in main window when the heart rate signal is not received by console to notify.
- When heart rate is lost for over 5 seconds, the program will shut in pause mode automatically.

QUICK TIP

- The "Heart rate control" program works best when the user settings are set correctly.

Watt Control (W)

- Use dial button function to select workout program, Select Watt Control (W), confirm by press dial button.
- Use Dial Up/ Down function to set the Watt target: 100 is pre-set default (10~350 ± 5) confirm by press dial button.
- Use Dial button to pre-set training time, Setting range: 1:00 ~ 23:59:00 minutes (± 1:00)
- Press START/ STOP key to start workout
- Use RESET, to go back to main menu.

In Watt mode, the tension will be adjusted automatically to an insensitivity in where the Watt reaches the Pre set Watt target.

!! NOTE

- The Watt parameter is a calculation of RPM and Tension level. When RPM is higher, the tension will be lower. When RPM is lower, the tension will be higher.

User program (U)

User programming mode.

A user program selected always opens in programming mode.

- Use dial button function to select workout program, Select User Profile (U), confirm by press dial button.
- Use Dial Up/ Down function to set the tension level for the first profile segment. Confirm by press dial button.
- Repeat the rest of the profile segment tension levels too in the same manner.

!! NOTE

- Each segment you program, and confirm by pressing "Mode" button is automatically stored.
- A pre programmed user program cannot be erased, but can be overwritten to update the profile to your needs at all times.

Start a User program

- When being in programming mode, press and hold MODE button for 2 seconds at any stage of the programming mode, to open time programming mode.
- Use Dial button to pre-set training time, Setting range: 1:00 ~ 23:59:00 minutes (± 1:00)
- Press START/ STOP key to start workout
- Use RESET, to go back to main menu.

In User Program profile mode, the tension will be adjusted automatically to the pre set profile.

The duration of each segment in the profile is 1/8 of your pre set training time.

!! NOTE

- There is only 1 user program available per user profile. See "Set User"

Recovery

The recovery function is to register the cardiac condition by measuring the recovery speed of your heart rate in beats per minute. The faster your heart rate drops to normal, the better your condition. Therefore this function should be used best directly after your workout.

- The RECOVERY key will only be valid if pulse is detected.
- TIME will show „0:60“ (seconds) and counts down to 0.
- Computer will show F1 to F9 after the countdown to test heart rate recovery status. User can find the heart rate recovery level based on the chart below.
- Press RECOVERY key again to return to the beginning.

How to read the test result.

The result is based on your cardiac heart rate condition. When being active your heart rate increases in Beats Per Minute (BPM).

When you end your workout, your heart rate will stabilize to normal. The faster your heart-rate stabilizes the better your cardiac condition. When your heart rate drops with at least 31 BPM in the test minute, your result will read F1.

When your heart rate drops in between 25~30 bpm in the test minute, your result will read F2. And so on.

F1	Outstanding	31 +
F2	Excellent	25 ~ 30
F3	Good	20 ~ 24
F4	Above Average	16 ~ 19
F5	Average	12 ~ 15
F6	Below Average	9 ~ 11
F7	Worrying	6 ~ 8
F8	Poor	3 ~ 5
F9	Very Poor	0 ~ 2
F0	Error	Error/ result is minus

!! NOTE

- The "Recovery" result data can only be used as a personal reference, and does not have any medical value.
- When your heart rate increased in the test minute, it will read F0.

Body Fat

- Press the BODY FAT key to start body fat measurement.
- During measuring, users have to hold both hands on the hand grips. LCD display "- - -" ~ "- - -" for 8 seconds until computer finish measuring.
- LCD will display BMI and FAT %.

Body fat mode error codes

- *E-1: There is no heart rate signal input detected.
- *E-4: Occurs when FAT% and BMI result is below 5 or exceeds 50.

⚠ QUICK TIP

- The "Body Fat & BMI" measuring function works best when the user settings are set correctly.

Bluetooth & APP

- This console can connect with an APP on a smart device by Bluetooth (iOS & Android).
- Establish the Bluetooth connection only via the connection mode on the installed APP on your smart device.
- When the bluetooth connection between APP and console is established the console display will be dimmed.

!! NOTE

- Tunturi only provides the option to connect your fitness console throughout a bluetooth connection. Therefore Tunturi cannot be held responsible for damage, or malfunctioning of products other than Tunturi products.
- Check the website for extra information.

This console can receive a Bluetooth heart-rate transmitter. There is no need to pair the device, as the console will auto detect the heart-rate transmitter when it is in range.

Cleaning and maintenance

The equipment does not require special maintenance. The equipment does not require recalibration when it is assembled, used and serviced according to the instructions.

⚠ WARNING

- Before cleaning and maintenance, remove the adapter.
 - Do not use solvents to clean the equipment.
 - Cleaning and user maintenance shall not be made by children without supervision.
- Clean the equipment with a soft, absorbent cloth after each use.
 - Regularly check that all screws and nuts are tight.
 - If necessary, lubricate the joints.

Defects and malfunctions

Despite continuous quality control, defects and malfunctions caused by individual parts can occur in the equipment. In most cases, it will be sufficient to replace the defective part.

- If the equipment does not function properly, immediately contact the dealer.
- Provide the model number and the serial number of the equipment to the dealer. State the nature of the problem, conditions of use and purchase date.

Trouble shooting:

- If there is no signal when you exercise please check if the cable is well connected.

!! NOTE

- If the computer displays abnormally, please re-install the transformer and try again.

Shaky or unstable feeling during use

If the machine feels unstable or unstable during operation, it is advisable to adjust the support feet to bring the frame to the correct height. Read the instructions in this manual in section: "Use"

Transport and storage

⚠ WARNING

- Before transport and storage, remove the adapter.
- Carry and move the equipment with at least two persons.

- Remain standing in front of the equipment on each side and take a sturdy grip at the handlebars. Tilt the front of the equipment so as to lift the rear of the equipment on the wheels. Move the equipment and carefully put the equipment down. Place the equipment on a protective base to prevent damage to the floor surface.
- Move the equipment carefully over uneven surfaces. Do not move the equipment upstairs using the wheels, but carry the equipment by the handlebars.
- Store the equipment in a dry place with as little temperature variation as possible.

Warranty

Tunturi purchaser's warranty

Warranty terms

The consumer is entitled to the applicable legal rights stated in the national legislation concerning the commerce of consumer goods. This warranty does not restrict these rights. The Purchaser's Warranty is only valid if the item is used in an environment approved by Tunturi New Fitness BV, and is maintained as instructed for that particular equipment. The product-specific approved environment and maintenance instructions are stated in the "user manual" of the product. The "user manual" can be downloaded from our website. <http://manuals.tunturi.com>

Warranty conditions

The warranty conditions commence from the date of purchase. Warranty conditions may vary per country, so please consult your local dealer for the warranty conditions.

Warranty coverage

Under no circumstances shall Tunturi New Fitness BV or the Tunturi Distributor be liable by virtue of this warranty or otherwise for any special, indirect, secondary or consequential damages of any nature arising out of any use or inability to use this equipment.

Warranty limitations

This warranty covers manufacturing defects in the fitness equipment as originally packed by Tunturi New Fitness BV. The warranty shall apply only under conditions of normal, recommended use of the product as described in the Owner's Manual and providing that Tunturi New Fitness BV's instructions for installation, maintenance and use have been complied with. Neither Tunturi New Fitness BV's nor the Tunturi Distributors' obligations apply to defects due to reasons beyond their control. The warranty applies only to the original purchaser and is valid only in countries where Tunturi New Fitness BV has an authorised importer. The warranty does not extend to fitness equipment or components that have been modified without the consent of Tunturi New Fitness BV. Defects resulting from normal wear, misuse, abuse, corrosion, or damage incurred during loading or transportation are not covered.

The warranty does not cover sounds or noises emitted during use where these do not substantially impede the use of the equipment and where they are not caused by a fault in the equipment. The warranty does not cover defects arising from the failure to carry periodic maintenance as outlined within the Owner's Manual for the product. Furthermore, the warranty does not cover defects arising from usage and storage within an unsuitable environment as described within the Owner's Manual which should be indoors, dry, dust and grit free and within a temperature range of +15°C to +35°C. The warranty does not cover maintenance activities, such as cleaning, lubricating, and normal part adjustments, nor installation

procedures that customers can accomplish themselves, such as changing uncomplicated meters, pedals and other similar parts not requiring any dismantling/reassembling of the fitness equipment.

Warranty repairs carried out by other than authorised Tunturi representatives are not covered.

Failure to follow the instructions given in the Owner's Manual will invalidate the product's warranty.

Technical data

Parameter	Unit of measurement	Value
Length	cm	120.5
	inch	47.4
Width	cm	59.5
	inch	23.4
Height	cm	146.5
	inch	57.7
Weight	kg	37.5
	lbs	82.7
Max. user weight	kg	150.0
	lbs	330.0
Transformer output specifications	Voltage	9V-DC
	Ampere	2.0 A
Heartrate measurement available via:	Hand-grip contact	Yes
	5.0 Khz	No
	5.3 Khz.	No
	Bluetooth (BLE)	Yes
	ANT+	No

Declaration of the manufacturer

Tunturi New Fitness BV declares that the Signature E50 Bike trainer is in conformity with the following standards and directives:

- RoHS Directive (2011/65/EU)
- General Product Safety Regulation (GPSR) – (EU) 2023/988

Hereby, Tunturi New Fitness BV declares that the radio equipment type Signature E50 Bike trainer is in compliance with Directive 2014/53/EU.

The full text of the EU declaration of conformity is available at the following internet address: <https://doc.tunturi.com>

Tunturi New Fitness BV
Purmerweg 1
1311 XE Almere
The Netherlands

Disclaimer

© 2025 Tunturi New Fitness BV
All rights reserved.

- The product and the manual are subject to change.
- Specifications can be changed without further notice.
- Check our website for the latest user manual version.

Deutsch

Diese deutsche Bedienungsanleitung ist eine Übersetzung des englischen Textes. Es können keine Rechte auf diese Übersetzung abgeleitet werden.

Index

Willkommen	26
Warnhinweise zur Sicherheit	26
Elektrische Sicherheit	27
Montageanleitungen	27
Beschreibung Abbildung A.....	27
Beschreibung Abbildung B	27
Beschreibung Abbildung C.....	27
Beschreibung Abbildung D.....	27
Zusätzliche Montagehinweise	27
Zusätzliche Umwelt Informationen	28
Trainings	28
Trainingsanleitung	28
Herzfrequenz	29
Gebrauch	29
Einstellen des Stützfußes	29
Einstellen der Konsole.....	29
Einstellen der horizontalen Sitzposition	30
Einstellen der vertikalen Sitzposition	30
Einstellen des Handgriffs.....	30
Stromzufuhr	30
Konsole	30
Erläuterung der Anzeigefunktionen	30
Erläuterung der Schalter	31
Bedienung.....	32
Programme	32
Benutzer einstellen.....	32
Manual Modus	33
Programmprofil 1~12	33
Herzfrequenzkontrolle	33
Watt Kontrolle (W).....	33
Benutzerprogramme (U).....	34
Recovery (Erholung)	34
Body Fat (Körperfett).....	34
Bluetooth & APP	34
Reinigung und Wartung	35
Störungen und Fehlfunktionen.....	35
Transport und Lagerung	35
Garantie	35
Technische Daten	36
Herstellereklärung	36
Haftungsausschluss	36

Willkommen

Willkommen in der Welt von Tunturi!

Danke, dass Sie dieses Gerät von Tunturi erworben haben. Tunturi bietet eine breite Palette an Heim-Fitnessgeräten wie beispielsweise Crosstrainer, Laufbänder, Trainingsfahrräder, Rudergeräte, Kraftbänke und Multi-Stationen an. Die Tunturi Geräte sind für die ganze Familie geeignet - ganz egal, wie fit man ist. Weitere Informationen finden Sie auf unserer Website unter www.tunturi.com

Wichtige sicherheitshinweise

Diese Anleitung ist ein unerlässlicher Teil Ihres Trainingsgeräts: Lesen Sie alle Anweisungen in diesem Handbuch durch, bevor Sie dieses Gerät verwenden. Die folgenden Vorsichtsmaßnahmen müssen immer befolgt werden.

Warnhinweise zur Sicherheit

⚠️ WARNUNG

- Lesen Sie die Warnhinweise zur Sicherheit und die Anweisungen. Werden die Warnhinweise zur Sicherheit und die Anweisungen nicht befolgt, kann dies zu Personenverletzungen und Schäden am Gerät führen. Bewahren Sie die Warnhinweise zur Sicherheit und die Anweisungen zur künftigen Bezugnahme auf.

⚠️ WARNUNG

- Herzfrequenz-Überwachungssysteme können ungenau sein.
- Eine Überanstrengung kann zu schweren Schädigungen oder zum Tod führen. Wenn Sie sich schwach oder ohnmächtig fühlen, stellen Sie die Übungen unverzüglich ein.

- Das Gerät ist nur für den Hausgebrauch geeignet. Das Gerät ist nicht für den gewerblichen Gebrauch geeignet.
- Die maximale Verwendung ist auf 5 Stunden pro Tag beschränkt
- Dieses Gerät kann von Kindern ab 8 Jahren und von Personen mit eingeschränkten physischen, sensorischen oder geistigen Fähigkeiten oder Mangel an Erfahrung und Wissen verwendet werden, wenn sie beaufsichtigt werden oder Anweisungen zur sicheren Verwendung des Geräts erhalten haben und die damit verbundenen Gefahren verstehen.
- Kinder sollten beaufsichtigt werden, um sicherzustellen, dass sie nicht mit dem Gerät spielen.
- Bevor Sie Ihr Training starten, nehmen Sie Kontakt mit einem Arzt auf, um Ihre Gesundheit kontrollieren zu lassen.
- Falls Sie Übelkeit, ein Schwindelgefühl oder andere anormale Symptome verspüren, hören Sie unverzüglich mit Ihrem Training auf und wenden Sie sich an einen Arzt.
- Um einen Muskelkater zu vermeiden, starten Sie jedes Training mit Aufwärmen und beenden Sie es mit Abkühlen. Denken Sie daran, sich am Ende des Trainings zu dehnen.
- Das Gerät ist nur für den Gebrauch in geschlossenen Räumen geeignet. Das Gerät ist nicht für den Gebrauch im Freien geeignet.
- Verwenden Sie das Gerät nur in Umgebungen mit ausreichender Belüftung. Verwenden Sie das Gerät nicht in zugiger Umgebung, damit Sie sich nicht erkälten.
- Verwenden Sie das Gerät nur in Umgebungen mit Umgebungstemperaturen zwischen 10°C~35°C/ 50°F~95°F. Lagern Sie das Gerät nur in Umgebungen mit einer Umgebungstemperatur zwischen 5°C~45°C/ 41°F~113°F
- Verwenden und lagern Sie das Gerät nicht in feuchten Umgebungen. Die Luftfeuchtigkeit darf niemals 80% überschreiten.
- Verwenden Sie das Gerät nur bestimmungsgemäß. Verwenden Sie das Gerät nicht für einen anderen als für den in diesem Handbuch beschriebenen Zweck.

- Verwenden Sie das Gerät nicht, falls Teile beschädigt oder defekt sind. Ist ein Teil beschädigt oder defekt, wenden Sie sich an Ihren Händler.
- Halten Sie Ihre Hände, Füße und andere Körperteile von den beweglichen Teilen fern.
- Halten Sie Ihr Haar von den beweglichen Teilen fern.
- Tragen Sie entsprechende Kleidung und Schuhe.
- Halten Sie Kleidung, Schmuck und andere Gegenstände von den beweglichen Teilen fern.
- Vergewissern Sie sich, dass das Gerät nur von einer Person auf einmal verwendet wird. Das Gerät darf nicht von Personen verwendet werden, deren Gewicht 135 kg (300 lbs) überschreitet.
- Öffnen Sie das Gerät nicht, ohne vorher mit Ihrem Händler zu sprechen.

Elektrische Sicherheit

- Vergewissern Sie sich vor der Verwendung stets, dass die Netzspannung mit der Spannung auf dem Typenschild des Geräts übereinstimmt.
- Verwenden Sie kein Verlängerungskabel.
- Halten Sie das Netzkabel von Hitze, Öl und scharfen Kanten fern.
- Verändern Sie nichts am Netzkabel oder am Netzstecker.
- Verwenden Sie das Gerät nicht, falls das Netzkabel oder der Netzstecker beschädigt oder defekt ist. Ist das Netzkabel oder der Netzstecker beschädigt oder defekt, wenden Sie sich an Ihren Händler.
- Wickeln Sie das Netzkabel immer vollständig ab.
- Lassen Sie das Netzkabel nicht unter dem Gerät entlanglaufen. Lassen Sie das Netzkabel nicht unter einem Teppich entlanglaufen. Stellen Sie keine Gegenstände auf das Netzkabel.
- Vergewissern Sie sich, dass das Netzkabel nicht über der Kante eines Tisches hängt. Vergewissern Sie sich, dass niemand versehentlich über das Netzkabel stolpert.
- Lassen Sie das Gerät nicht unbeaufsichtigt, wenn der Netzstecker in die Wandsteckdose eingesteckt ist.
- Ziehen Sie nicht am Netzkabel, um den Netzstecker aus der Wandsteckdose zu ziehen.
- Ziehen Sie den Netzstecker aus der Wandsteckdose, wenn das Gerät nicht verwendet wird, bevor es zusammengebaut oder zerlegt wird sowie vor der Reinigung und Wartung.

⚠️ WARNUNG

- Verwenden Sie niemals Wasser oder eine andere Flüssigkeit direkt auf oder in der Nähe des Geräts, sondern nur ein feuchtes Tuch, wenn das Gerät feucht gereinigt werden muss.
- Die direkte Verwendung von Flüssigkeit ist schädlich für die Komponenten des Geräts und kann zu einem elektrischen Schlag durch einen Kurzschluss führen. Dies kann zu schweren Verletzungen oder sogar zum Tod führen.
- Das Gerät darf nur mit dem mitgelieferten Netzteil verwendet werden.

Montageanleitungen

Beschreibung Abbildung A

Die Abbildung zeigt, wie das Gerät nach der Montage aussehen wird. Sie können diese bei der Montage als Referenz verwenden, befolgen Sie die Montageschritte aber immer in der richtigen Reihenfolge, wie in den Abbildungen gezeigt.

Beschreibung Abbildung B

Die Abbildung zeigt, welche Komponenten und Teile in der Lieferung enthalten sein sollen.

!! HINWEIS

- Kleinteile können in Hohlräumen im Styropor-Produktschutz versteckt/verpackt werden
- Fehlt ein Teil, wenden Sie sich an Ihren Händler.

Beschreibung Abbildung C

Die Abbildung zeigt den Zubehörsatz, der mit Ihrem Produkt geliefert wird.

Er enthält Schrauben, Unterlegscheiben, Muttern usw. sowie die erforderlichen Werkzeuge zur ordnungsgemäßen Montage Ihres Trainers.

Beschreibung Abbildung D

Die Abbildungen zeigen Ihnen in der richtigen Reihenfolge, wie Sie Ihren Trainer am besten montieren.

⚠️ WARNUNG

- Bauen Sie das Gerät in der angegebenen Reihenfolge zusammen.
- Tragen und bewegen Sie das Gerät mit mindestens zwei Personen.

⚠️ VORSICHT

- Stellen Sie das Gerät auf festen, ebenen Boden.
- Stellen Sie das Gerät auf eine schützende Unterlage, um Schäden am Bodenbelag zu vermeiden.
- Sorgen Sie rund um das Gerät für einen Freiraum von mindestens 100 cm.
- Der richtige Zusammenbau des Geräts geht aus den Abbildungen hervor.

Zusätzliche Montagehinweise

D3 Pedale korrekt einsetzen

!! HINWEIS

- Rechte und linke Seite werden aus der Perspektive der Übungspositionen definiert.

Rechtes Handpedal

Suchen Sie die Markierung "R" oder "L" auf der Pedalachse

- Stecken Sie das rechte Handpedal "R" in die rechte Handkurbel.
- Drehen Sie zunächst die Pedalachse von Hand im Uhrzeigersinn.
- Verwenden Sie den Schraubenschlüssel, um das Pedal vollständig festzuziehen.

Linkes Handpedal

- Stecken Sie das linke Pedal "L" in die linke Handkurbel.
- Drehen Sie zunächst die Pedalachse von Hand gegen den Uhrzeigersinn.
- Verwenden Sie den Schraubenschlüssel, um das Pedal vollständig festzuziehen.



Klicken Sie hier, um unser unterstützendes YouTube-Video zu sehen. <https://youtu.be/3BiN9mc5Tmw?t=101>

Zusätzliche Informationen zu Montageschritt D4 & D5

- Richten Sie die Kabelverbindung zwischen dem vom Hauptrahmen kommenden Kabel und dem unteren Teil des Kabels ein, das im Standrohr vormontiert ist.

- Positionieren Sie das Standrohr über der Befestigungsklammer des Hauptrahmens, in der die Befestigungsschrauben vormontiert sind und vormontiert bleiben.
(Ziehen Sie beim Absenken des Standrohrs den oberen Teil des Kabels vorsichtig nach oben, um zu vermeiden, dass das Kabel von der Verbindung eingeklemmt wird.)
- Das Standrohr sollte automatisch die mittlere Position finden, aber es ist ratsam, die kleinste notwendige Korrektur vorzunehmen, um sicherzustellen, dass die Position stimmt.
- Die optimale Position ist erreicht, wenn die Befestigungsschrauben perfekt zentriert sind und auf die Öffnungen des Standrohrs passen.

!! HINWEIS

- Vermeiden Sie, dass das Kabel zwischen diesen beiden Teilen eingeklemmt wird, indem Sie den Kabelstecker in der Halterung befestigen.
 - Wenn Sie die beiden Schrauben (im Uhrzeigersinn) an der Vorderseite befestigen, verbreitern Sie den Befestigungsbügel, so dass das Standrohr fest montiert wird.
- Um das Standrohr fest zu verankern, muss zuerst die Schraube auf der Oberseite fest angezogen werden.
 - Nachdem Sie die obere Schraube befestigt haben, müssen Sie die untere Schraube festziehen.
 - Durch die Befestigung der unteren Schraube wird das Standrohr leicht verschoben, so dass die obere Schraube etwas mehr befestigt werden kann; deshalb ist es erforderlich, die obere Schraube wieder festzuschrauben.
 - Wiederholen Sie diese Schritte, bis beide Schrauben fest angezogen sind, um sicherzustellen, dass das Standrohr richtig befestigt ist.



Klicken Sie hier, um unser unterstützendes YouTube-Video zu sehen. <https://youtu.be/3BiN9mc5Tmw?t=180>

!! HINWEIS

- Heben Sie die Werkzeuge für künftige Zwecke auf, die zu diesem Produkt geliefert wurden, wenn Sie die Montage beendet haben.

Zusätzliche Umwelt Informationen

Verpackungsentsorgung

Staatliche Vorschriften sagen, dass wir die in Deponien entsorgen Abfallmengen verringern sollen. Daher bitten wir Sie, den gesamten Verpackungsabfall an öffentlichen Recyclingstellen abzugeben

Entsorgung am ende der Lebensdauer

Wir bei Tunturi hoffen, dass Sie Ihren Fitnesstrainer viele Jahre mit Freude nutzen werden. Jedoch wird irgendwann die Zeit kommen, wenn die Ende der Nutzungsdauer des Fitnesstrainers erreicht ist. Gemäß den europäischen WEEE-Gesetzen sind Sie für eine geeignete Entsorgung des Fitnesstrainers bei einer anerkannten öffentlichen Entsorgungsstelle verantwortlich.

Trainings

Das Training muss leicht und geeignet, aber von langer Dauer sein. Aerobic-Übungen basieren auf der Verbesserung der maximalen Sauerstoffaufnahme des Körpers, was wiederum die Ausdauer und Fitness verbessert. Sie sollten während des Trainings zwar ins Schwitzen, aber nicht außer Atem kommen.
Um eine Basisfitness zu erreichen und zu halten, üben Sie mindestens drei mal pro Woche 30 Minuten lang an einem Stück. Erhöhen Sie die Anzahl der Übungssitzungen, um Ihre Fitness zu verbessern. Es lohnt sich, die regelmäßigen Übungen mit einer gesunden Diät

zu kombinieren. Personen, die Diät machen, sollten täglich zuerst 30 Minuten oder weniger an einem Stück üben und die tägliche Trainingszeit allmählich auf eine Stunde verlängern. Beginnen Sie Ihr Training mit niedriger Geschwindigkeit und geringem Widerstand, um zu vermeiden, dass das Herz-Kreislaufsystem einer übermäßigen Belastung ausgesetzt wird. Mit sich verbessernder Fitness können Geschwindigkeit und Widerstand allmählich erhöht werden. Die Wirksamkeit Ihrer Übungen kann durch Überwachung der Herzfrequenz und Ihrer Pulsfrequenz gemessen werden.

Trainingsanleitung

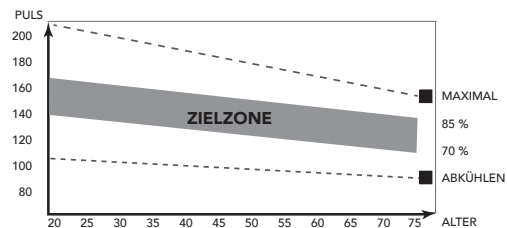
Die Verwendung des Fitnesstrainers wird Ihnen viele Vorteile bieten: Er verbessert Ihre körperliche Fitness, formt die Muskeln und hilft Ihnen, in Verbindung mit einer kalorienreduzierten Diät, Gewicht zu verlieren.

Die Aufwärm-Phase

Der Blutkreislauf wird angeregt und die Muskelfunktionen werden unterstützt. Außerdem wird das Risiko von Krämpfen und Muskelverletzungen gesenkt. Sie sollten, wie unten angezeigt, einige Dehnungsübungen machen. Sie sollten weder die Dehnungsbewegung erzwingen noch die Muskeln dabei ruckweise bewegen - wenn Sie Schmerzen haben, sollten Sie AUFHÖREN.

Die Trainings-Phase

In dieser Phase strengen Sie sich an. Nach regelmäßiger Verwendung werden die Muskeln in Ihren Beinen beweglicher. In dieser Phase ist es sehr wichtig, immer ein gleichmäßiges Tempo beizubehalten. Die Anstrengung sollte ausreichen, um Ihren Herzschlag bis in die Zielzone zu erhöhen, die im folgenden Diagramm dargestellt ist.



Diese Phase sollte mindestens 12 Minuten dauern; die meisten Menschen beginnen mit ca. 15 bis 20 Minuten.

Die Abkühlungs-Phase

Sie dient der Entspannung Ihres Herz-Kreislaufsystems und Ihrer Muskeln. Dabei werden die Aufwärmübungen wiederholt, reduzieren Sie zum Beispiel Ihr Tempo und machen Sie ca. 5 Minuten weiter. Jetzt sollten die Dehnübungen wiederholt werden. Denken Sie wiederum daran, weder die Dehnungsbewegung zu erzwingen noch die Muskeln dabei ruckweise zu bewegen.
Wenn Sie fitter werden, kann es sein, dass Sie länger und härter trainieren müssen. Sie sollten mindestens drei Mal die Woche trainieren und, falls möglich, Ihre Trainingseinheiten gleichmäßig über die Woche verteilen.

Muskelformung

Um Ihre Muskeln beim Training auf dem Fitnesstrainer zu formen, müssen Sie den Widerstand ziemlich hoch einstellen. Dadurch werden die Beinmuskeln mehr angestrengt und Sie können möglicherweise nicht so lange trainieren, wie Sie möchten. Wenn Sie außerdem Ihre Fitness verbessern möchten, müssen Sie Ihr Trainingsprogramm ändern. Sie sollten in den Aufwärm- und Abkühlphasen normal trainieren, jedoch gegen Ende der Trainingsphase den Widerstand erhöhen, damit Ihre Beine härter arbeiten müssen. Sie müssen die Geschwindigkeit verringern, damit Ihre Herzfrequenz in der Zielzone bleibt.

Gewichtsabnahme

Der wichtige Faktor ist, wie sehr Sie sich anstrengen. Je härter und je länger Sie trainieren, desto mehr Kalorien verbrennen Sie. Dies ist im Grunde dasselbe, wie wenn zur Verbesserung Ihrer Fitness trainieren, nur das Ziel ist ein anderes.

Herzfrequenz

Pulsfrequenzmessung (Handpulssensoren)

Die Pulsfrequenz wird durch Sensoren in den Handgriffen gemessen, wenn der Nutzer beide Sensoren gleichzeitig anfasst. Für eine genaue Pulsmessung ist es erforderlich, dass die Haut etwas feucht ist und die Handpulssensoren konstant berührt werden. Ist die Haut zu trocken oder zu feucht, wird die Pulsfrequenzmessung weniger genau.

!! HINWEIS

- Verwenden Sie die Handpulssensoren nicht in Kombination mit einem Herzfrequenz-Brustgürtel.
- Wenn Sie sich einen Herzfrequenz-Grenzwert für Ihr Training setzen, ertönt beim Überschreiten ein Signal.

Herzfrequenzmessung (Herzfrequenz-Brustgürtel)

!! HINWEIS

- Ein Brustgurt wird nicht Standardmäßig bei diesem Trainer geliefert. Wenn Sie einen kabellosen Brustgurt verwenden möchten, müssen Sie diesen als Zubehör erwerben

Die genaueste Herzfrequenzmessung lässt sich mit einem Herzfrequenz-Brustgürtel erzielen. Die Herzfrequenz wird mit einem Herzfrequenzempfänger in Kombination mit einem Herzfrequenz-Sendegürtel gemessen. Für eine genaue Herzfrequenzmessung ist es erforderlich, dass die Elektroden am Sender etwas feucht sind und die Haut konstant berühren. Sind die Elektroden zu trocken oder zu feucht, wird die Herzfrequenzmessung weniger genau.

⚠️ WARNUNG

- Falls Sie einen Schrittmacher haben, wenden Sie sich zunächst an einen Arzt, bevor Sie einen Herzfrequenz-Brustgürtel verwenden.

⚠️ VORSICHT

- Falls sich mehrere Herzfrequenz-Messgeräte in gegenseitiger Nähe befinden, vergewissern Sie sich, dass der Abstand zwischen ihnen mindestens 1,5 Meter beträgt.
- Falls nur ein Herzfrequenzempfänger und mehrere Herzfrequenzsender vorhanden sind, vergewissern Sie sich, dass nur eine Person mit einem Sender in Sendereichweite ist.

!! HINWEIS

- Verwenden Sie keinen Herzfrequenz-Brustgürtel in Kombination mit den Handpulssensoren.
- Tragen Sie den Herzfrequenz-Brustgürtel stets mit direktem Hautkontakt unter Ihrer Kleidung. Tragen Sie den Herzfrequenz-Brustgürtel nicht auf Ihrer Kleidung. Falls Sie den Herzfrequenz-Brustgürtel auf Ihrer Kleidung tragen, gibt es kein Signal.
- Wenn Sie sich einen Herzfrequenz-Grenzwert für Ihr Training setzen, ertönt beim Überschreiten ein Signal.
- Der Sender überträgt die Herzfrequenz in einem Abstand bis zu 1 Meter zur Konsole. Sind die Elektroden nicht feucht, erscheint die Herzfrequenz nicht auf der Anzeige.
- Einige Fasern in der Kleidung (z.B. Polyester, Polyamid) erzeugen statische Elektrizität, die eine genaue Herzfrequenzmessung verhindern kann.
- Mobiltelefone, Fernsehergeräte und andere Elektrogeräte erzeugen ein elektromagnetisches Feld, das eine genaue Herzfrequenzmessung verhindern kann.

Maximale Herzfrequenz (während des Trainings)

Die maximale Herzfrequenz ist die höchste Herzfrequenz, die eine Person durch Übungsbelastung sicher erzielen kann. Folgende Formel wird zur Berechnung der durchschnittlichen maximalen Herzfrequenz verwendet: $220 - \text{ALTER}$. Die maximale Herzfrequenz variiert von Person zu Person.

⚠️ WARNUNG

- Stellen Sie sicher, dass Sie während des Trainings Ihre maximale Herzfrequenz nicht überschreiten. Falls Sie einer Risikogruppe angehören, wenden Sie sich an einen Arzt.

Anfänger

50-60% der maximalen Herzfrequenz

Geeignet für Anfänger, Gewicht- Beobachter, Genesende und Personen, die schon lange nicht mehr trainiert haben. Trainieren Sie mindestens dreimal pro Woche 30 Minuten an einem Stück.

Fortgeschritten

60-70% der maximalen Herzfrequenz

Geeignet für Personen, die ihre Fitness verbessern und halten wollen. Trainieren Sie mindestens dreimal pro Woche 30 Minuten an einem Stück.

Experte

70-80% der maximalen Herzfrequenz

Geeignet für die fittesten Personen, die sich an lange Ausdauertrainings gewöhnt haben.

Gebrauch

Einstellen des Stützfußes

Das Gerät ist mit einstellbaren Stützfüßen ausgestattet.

Wenn sich das Gerät instabil, wackelig oder nicht gut nivelliert anfühlt, können diese Stützfüße eingestellt werden, um die erforderlichen Korrekturen vorzunehmen.

- Drehen Sie die Stützfüße nach Bedarf ein/aus, um das Gerät in eine stabile und möglichst waagerechte Position zu bringen.
- Ziehen Sie die Kontermuttern* an, um die Stützfüße zu arretieren.

!! HINWEIS

- Das Gerät ist am stabilsten, wenn es so niedrig wie möglich auf dem Boden steht. Beginnen Sie daher mit der Nivellierung des Geräts, indem Sie alle Stützfüße ganz hineindrehen, bevor Sie die erforderlichen Stützfüße zur Stabilisierung und Nivellierung des Geräts herausdrehen.



Klicken Sie hier, um unser unterstützendes YouTube-Video zu sehen. <https://youtu.be/3BiN9mc5Tmw?t=535>

Einstellen der Konsole

Der Blickwinkel der Konsole kann je nach Körpergröße und Trainingsposition des Benutzers eingestellt werden.

- Stellen Sie die Konsole frei auf die gewünschte Position ein, ohne dass Sie die Position der Halterung lösen müssen.
- Die Halterung für die Konsole ist ein automatisches Fixierungssystem.

!! HINWEIS

- Wenn die Konsole die gewünschte Position nicht sicher halten kann, können Sie die Halterung einfach festziehen.

- Entfernen Sie die runden Endkappen des Gelenks, und ziehen Sie die freiliegenden Schrauben leicht an, sodass die Konsole fest sitzt, aber immer noch leichtgängig genug ist, um den Blickwinkel einzustellen.

Einstellen der horizontalen Sitzposition

Die horizontale Sitzposition kann durch Einstellen des Sitzes auf die erforderliche Position eingestellt werden.

- Lösen Sie den Sitzeinstellknopf.
- Bewegen Sie den Sitz in die erforderliche Position.
- Ziehen Sie den Sitzeinstellknopf an.

Einstellen der vertikalen Sitzposition

Die vertikale Sitzposition kann durch Einstellen des Sitzrohrs auf die erforderliche Position eingestellt werden. Wenn das Bein fast gerade ist, muss das Fußgewölbe das Pedal am untersten Punkt berühren.

- Lösen Sie den Sitzrohreinstellknopf.
- Bewegen Sie das Sitzrohr in die erforderliche Position.
- Ziehen Sie den Sitzrohreinstellknopf an.



Klicken Sie hier, um unser unterstützendes YouTube-Video zu sehen. <https://youtu.be/3BiN9mc5Tmw?t=486>

Einstellen des Handgriffs

Der Handgriff kann auf die Höhe und Übungsposition des Benutzers eingestellt werden.

- Lösen Sie den Handgriffeinstellknopf.
- Bewegen Sie den Handgriff in die erforderliche Position.
- Ziehen Sie den Handgriffeinstellknopf an.

!! HINWEIS

- Der Verstellgriff des Lenkers verfügt über ein federbelastetes System, wodurch Sie den Griff direkt nach der Befestigung des Lenkers leicht in jede beliebige Position bringen können.
- Ziehen Sie den Griff heraus und drücken Sie währenddessen mit dem Daumen auf den mittleren Knopf, um ihn frei zu bewegen. Lassen Sie den Knopf los, um die Feststell-/Lösefunktion wieder zu aktivieren.

Stromzufuhr

Das Trainingsgerät wird über eine externe Stromversorgung mit Strom versorgt. Die Position des Stromeingangs für das Trainingsgerät finden Sie auf der Abbildung. (Abb. E)

!! HINWEIS

- Befestigen Sie den Transformator am Trainer bevor Sie diese in der Steckdose stecken.
- Entfernen sie immer das Netzkabel wenn der Trainer nicht benutzt wird.

Konsole



1. Anzeige
2. Tablet-/Buchstütze
3. Schalter
4. USB-Ladeanschluss

⚠ VORSICHT

- Halten Sie die Konsole von direkter Sonneneinstrahlung fern.
- Trocknen Sie die Oberfläche der Konsole, wenn Sie mit Schweißtropfen bedeckt ist.
- Lehnen Sie sich nicht auf die Konsole.
- Berühren Sie die Anzeige nur mit Ihrer Fingerspitze. Vergewissern Sie sich, dass Ihre Nägel oder andere scharfe Gegenstände die Anzeige nicht berühren.

!! HINWEIS

- Die Konsole schaltet in den Standby-Modus, wenn das Gerät 4 Minuten lang nicht verwendet wird.

Erläuterung der Anzeigefunktionen

Time (Zeit)

- Ohne Einstellung des Sollwerts wird die Zeit summiert.
- Wenn ein Sollwert eingestellt ist, wird die Zeit vom Zielwert aus auf 0 herabgezählt. Bei 0 ertönt ein Alarm oder erscheint ein Blinklicht. Die Zeit wird wieder summiert, wenn das Training nach Erreichen des Ziels fortgesetzt wird.
- Anzeigebereich: 00:00:00 ~ 23:59:59.

Die zusätzliche Zeitanzeige (unter dem Tablet-Halter) dupliziert das Zeitfenster und zeigt nur Minuten und Sekunden an.

Speed (Geschwindigkeit)

- Aktuelle Trainingsgeschwindigkeit wird angezeigt.
- Anzeigebereich: 0.0 ~ 99.9 km/h.
- Wenn vier Sekunden lang ohne Training kein Signal auf den Monitor übertragen wird, zeigt SPEED „0,0“ an

Die zusätzliche Geschwindigkeitsanzeige (unter dem Tablet-Halter) dupliziert das Hauptgeschwindigkeitsfenster.

RPM (U/Min)

- Umdrehungen pro Minute werden angezeigt
Anzeigebereich: 0 - 15 ~ 999 RPM.
- Wenn vier Sekunden lang ohne Training kein Signal auf den Monitor übertragen wird, zeigt U/Min „0“ an

Watt

- Aktuelle Trainings-Watt werden angezeigt.
- Anzeigebereich: 0 ~ 999 Watt.
- ▲ Das Symbol wird im Level-Fenster angezeigt, wenn die eingestellte Zielwattleistung niedriger ist als die aktuelle Trainingswattleistung.
Sie treten zu schnell in die Pedale oder die Zielvorgabe ist zu niedrig.
- ▼ Das Symbol wird im Level-Fenster angezeigt, wenn die eingestellte Ziel-Wattleistung höher ist als die aktuelle Trainingswattleistung.
Sie treten zu langsam in die Pedale oder das Ziel ist zu hoch angesetzt.

Level

- Zeigt die Einstellung der Spannungsstufe bei der Einstellung des Widerstandes für 3 Sekunden an.
- ▲ Das Symbol blinkt im Level-Fenster, wenn Sie mit einem vorprogrammierten Profil trainieren, 3 Sekunden bevor die Spannungsstufe ansteigt, um Sie auf einen bevorstehenden Spannungsanstieg gemäß dem Profil hinzuweisen.
- ▼ Das Symbol blinkt im Level-Fenster, wenn Sie mit einem vorprogrammierten Profil trainieren, 3 Sekunden bevor die Spannungsstufe sinkt, um Sie auf eine bevorstehende Spannungsabnahme gemäß dem Profil hinzuweisen.

!! HINWEIS

- Wenn kein Zeitziel eingestellt ist, zeigen die Pfeil-nach-oben- bzw. Pfeil-nach-unten-Symbole die Widerstandseinstellung 3 Sekunden vor dem Widerstandswechsel nicht an.

Distance (Entfernung)

- Ohne Einstellung des Sollwerts wird die Distanz summiert.
- Wenn ein Sollwert eingestellt ist, wird die Distanz vom Zielwert aus auf 0 herabgezählt. Bei 0 ertönt ein Alarm oder erscheint ein Blinklicht.
Die Distanz wird wieder summiert, wenn das Training nach Erreichen des Ziels fortgesetzt wird.
- Anzeigebereich: 0.00 ~ 99.99 KM.

Die zusätzliche Distanzanzeige (unter dem Tablet-Halter) dupliziert das Hauptdistanzfenster.

Calories (Kalorien)

- Ohne Einstellung des Sollwerts werden die Kalorien summiert.
- Wenn ein Sollwert eingestellt ist, werden die Kalorien vom Zielwert aus auf 0 herabgezählt. Bei 0 ertönt ein Alarm oder erscheint ein Blinklicht.
Die Kalorien werden wieder summiert, wenn das Training nach Erreichen des Ziels fortgesetzt wird.
- Anzeigebereich: 0 ~ 999 Kalorien.

!! HINWEIS

- Diese Daten sind ein grober Anhaltspunkt für den Vergleich verschiedener Trainingssitzungen. Sie können jedoch nicht für eine medizinische Behandlung verwendet werden.
- Der gemessene Wert kann nicht als medizinische Grundlage verwendet werden.

Pulse (Puls)

- Aktueller Puls wird nach sechs Sekunden angezeigt, wenn dieser von der Konsole erkannt wird.
- Wenn sechs Sekunden lang kein Puls-Signal vorhanden ist, zeigt die Konsole „P“ an.

- Der Pulsalarm ertönt, wenn der aktuelle Puls über dem Sollpuls liegt.
- Anzeigebereich: 0 - 40 ~ 200 BPM

!! HINWEIS

- Das rote Pulssymbol blinkt, wenn eine Herzfrequenz empfangen wird. Es dauert ein paar Sekunden, bis die Herzfrequenz als Zahl angezeigt wird, da der Durchschnitt berechnet werden muss.

Die zusätzliche Pulsanzeige (unter dem Tablet-Halter) dupliziert das Hauptpulsfenster.

4-farbige Herzfrequenzzonenanzeige

Die 4-farbige Herzfrequenzanzeige zeigt Ihre Herzfrequenzzone basierend auf dem vom Benutzer eingestellten Alter in Prozent an. Die Berechnung erfolgt wie folgt.
Gemessene Herzfrequenz geteilt durch max. Herzfrequenz, Ergebnis multipliziert mit 100.
Max. Herzfrequenz für Männer (220 – Alter)
Max. Herzfrequenz für Frauen (226 – Alter)

BAI™

- BAI Anzeige Verbrauch während des Trainings.
- Anzeigebereich 0~999

!! HINWEIS

- BAI (Body Activity Index (Körperaktivitätsindex)) ist die Summe des effektiven Trainingsvolumens.
- Trainingsvolumen = Trainingsintensität x Trainingszeit.

BAI berechnet das effektive Trainingsvolumen anhand Ihrer Herzfrequenz, Ihres Alters, Ihres Geschlechts und Ihrer Trainingsdauer. Während des Trainings können Sie sehen, dass sich BAI ansammelt. Sobald Sie eine Trainingseinheit abgeschlossen haben, können Sie einen BAI-Gesamtpunkt für diese Einheit erhalten. Dies ist das gesamte effektive Trainingsvolumen dieser Trainingseinheit. Wenn Sie härter trainieren, höhere Herzfrequenz-Zone, erhalten Sie BAI Punkte schneller. Wenn Sie weniger hart trainieren, niedrigere Herzfrequenzzone, erhalten Sie BAI Punkte langsamer. Wir empfehlen Ihnen, jede Woche 100 BAI-Punkte zu sammeln, um Ihre Cardio Fähigkeit zu verbessern.

Anzeige in der Mitte

- Die obere Zeile zeigt die Programmprofile.
- In der rechten oberen Ecke wird der ausgewählte Benutzer (U1, U2, U3, U4) angezeigt
- In der unteren Punktanzeige wird die Intensitätskurve des Programmprofils grafisch dargestellt.
* In Spannungskontrolle: Jeder Punkt steht für zwei Spannungsstufen.
* Im HRC- Modus: Jeder Punkt repräsentiert einen Spannungspegel, als ob er spannungsgesteuert wäre.
* Im Watt-Modus: Jeder Punkt repräsentiert einen Spannungspegel, als ob er spannungsgesteuert wäre.

Erläuterung der Schalter

Drehknopf im Uhrzeigersinn drehen (erhöhen)

- Drehen Sie den Schalter im Uhrzeigersinn, um die Einstellwert zu erhöhen.
- Erhöhen des Widerstands.

Drehknopf gegen den Uhrzeigersinn drehen (verringern)

- Drehen Sie den Schalter gegen den Uhrzeigersinn, um die Einstellwert zu verringern.
- Verringern des Widerstands.



Drehknopf drücken (Modus/ Eingabe)

- Einstellung oder Auswahl bestätigen.
- Stoppen Sie die Display-Scan-Funktion und fixieren Sie den aktuellen Parameter in der mittleren Anzeige, wenn Sie sich im Trainingsmodus befinden.
- Zum nächsten Parameter gehen, wenn Sie sich im Modus Feste Anzeige befinden.

!! HINWEIS

- Wenn Sie den Scan-Modus durch Festlegen eines bestimmten Parameters gestoppt haben, gibt es keine andere Möglichkeit, die "Scan"-Funktion wieder zu aktivieren, als zweimal schnell auf "Start/Stop" zu drücken, um Ihr Training schnell zu unterbrechen und wieder zu starten.

Reset

- Drücken Sie im Einstellungsmodus einmal auf die Taste RESET, um die aktuellen Funktions-Darstellungen zurückzusetzen.
- Drücken Sie auf die RESET-Taste und halten Sie sie 3 Sekunden lang gedrückt, um alle Funktions-Darstellungen zurückzusetzen

Start/ Stop

- Trainingsstart bzw. -stopp.

Body Fat (Körperfett)

- Körperfett in % und BMI messen.

Recovery

- Wenn die Konsole ein Impulssignal erkennt, drücken Sie auf die Taste RECOVERY, um den Recovery-Modus zu öffnen und die Herzfrequenz-Recovery-Fähigkeit zu überwachen

Bedienung

Einschalten

- Stecken Sie den Stecker der Stromversorgung in die Steckdose. Der Computer fährt hoch und alle Segmente der LCD-Anzeige leuchten 2 Sekunden lang auf.
- Drücken Sie auf eine beliebige Taste, wenn sich die Konsole im Ruhemodus befindet.
- Treten Sie in die Pedale, „wenn sich die Konsole im Ruhemodus befindet.

!! HINWEIS

- Die Konsole schaltet in den Ruhezustand und zeigt den Uhrzeitmodus an, wenn das Gerät vier Minuten lang nicht verwendet wird.

Ruhezustand:

Wenn sich die Konsole im Ruhezustand befindet, werden alle Informationsfenster abgedunkelt, als ob sie ausgeschaltet wäre.

Ausschalten

- Um den Trainer auszuschalten, müssen Sie die Stromquelle vom Trainer entfernen.

Trainingsauswahl

Treffen Sie durch die Drehknopf zu Verwenden, eine Auswahl:

M	Manual
P1 ~ P12	Programmprofil 1 ~ 12
♥	Herzfrequenzkontrolle
W	Watt Kontrolle
U	Benutzerprogramm

USB Funktion

Der Benutzer kann ein Gerät anschließen zum Laden, während des Trainings.

Spannung/ Strom: 5VDC/ 1.0 Amp

Programme

Schnellstart

- Drücken Sie die Taste START/STOP, um Ihr Training ohne Voreinstellungen zu beginnen.
- Verwenden Sie die Drehknopf, zur Einstellung des Widerstandsgrads beim Training.

Beenden Sie Ihr Training

- Drücken Sie im Trainingsmodus auf START/STOP, um das Training zu beenden/anzuhalten.
Um das Training fortzusetzen, drücken Sie im Pausen-Modus die START/STOP-Taste.
- Auf die RESET-Taste drücken (im Pausen-Modus), um alle Trainingsdaten zurückzusetzen.
- Halten Sie die Taste RESET mehr als 3 Sekunden lang gedrückt, um die Konsole zurückzusetzen. (Aktive Trainingsdaten gehen verloren)

⚠ SCHNELL-TIPP

- Wenn Sie sich im Pausenmodus befinden, können Sie die "Drehknopf" verwenden, um Ihre eingestellten Ziele anzupassen.
- Drücken Sie zur Bestätigung auf Modus: Zeit/Strecke/Kalorien und/oder Impuls.
- Drehen Sie das Rad, um das gewünschte Ziel einzustellen, und drücken Sie auf "Modus", um den ersten nächsten zu ändernden Parameter auszuwählen, falls erforderlich, oder drücken Sie die Taste "Start/Stop", um das Training fortzusetzen.

Benutzer einstellen

Ein Benutzer kann ausgewählt werden, wenn sich die Konsole im Start-up-Modus befindet.

Wenn sich die Konsole im Funktionsmodus befindet, halten Sie die Taste „RESET“ länger als 3 Sekunden gedrückt, um die Konsole neu zu starten und in den Start-up-Modus zu wechseln.

Sie sehen „U1“ blinken (oder den zuletzt gewählten Benutzer U1~U4).

- Benutzer auswählen, Drehknopf drehen um auszuwählen U1~U4, Bestätigen Sie durch Drücken der Drehknopf.
- Geschlecht auswählen, Zum Einstellen den Drehknopf drehen um ♂ (männlich)/ ♀ (weiblich) auszuwählen, Bestätigen Sie durch Drücken der Drehknopf.
- Alter einstellen (A), Zum Einstellen den Drehknopf drehen Einstellbereich: 1 ~ 99 (±1), mit drehknopf drücken (Modus) bestätigen.
- Höhe (H) einstellen, Zum Einstellen den Drehknopf drehen Einstellbereich: 100~200 cm (±1), Bestätigen Sie durch Drücken der Drehknopf.
- Gewicht (W) einstellen, Zum Einstellen den Drehknopf drehen Einstellbereich: 20~150 kg (±1), Bestätigen Sie durch Drücken der Drehknopf.

!! HINWEIS

- Die Einstellung der korrekten Benutzerparameter ist erforderlich für die:
 1. Korrekte Herzfrequenz-Zielprogrammfunktion.
 2. Korrekte Körperfett- und BMI-Messfunktion.
- Durch die Auswahl eines Benutzers wird festgelegt, welche Benutzerprogramme geladen werden sollen. Siehe „Benutzerprogramme“

Manual Modus

- Betätigen Sie die Up/Down Funktion, um das Trainingsprogramm auszuwählen, den M-Modus (manuell) auswählen und mit Drehknopf drücken (Modus) bestätigen.
- Verwenden Sie die Drehknopf, um die Trainingszeit voreinzustellen. Einstellbereich: 1:00 ~ 23:59:00 minutes (± 1:00), Bestätigen Sie durch Drücken der Drehknopf..
- Verwenden Sie die Drehknopf, um die Trainingsdauer voreinzustellen, Einstellbereich: 0.10 ~ 99.90 Km. (± 0.10), Bestätigen Sie durch Drücken der Drehknopf..
- Betätigen Sie die Up/Down Funktion, um die Kalorien vor einzustellen, Einstellbereich: 10 ~9990 Cal. (± 10), Bestätigen Sie durch Drücken der Drehknopf.
- Betätigen Sie die Up/Down Funktion, um eine Grenze für Puls vor einzustellen, Einstellbereich: 40 ~200 BPM (± 1), Bestätigen Sie durch Drücken der Drehknopf..
- Drücken Sie die Taste „START/STOP“, um mit dem Training zu beginnen
- Verwenden Sie die Drehknopf, um die Widerstandsstufe einzustellen. Der Ladezustand wird im LEVEL-Fenster angezeigt.

!! HINWEIS

- Wenn Sie mehr als ein Ziel einstellen, wird das Training nach Erreichen des ersten Ziels beendet.
- Wenn ein Ziel leer gelassen wird, wird es nicht als voreingestellter Zielwert betrachtet.
- Wenn Sie ein Puls Grenzwert einstellen, stoppt das Training nicht, wenn das eingestellte Limit überschritten wird. Ein akustischer Alarm warnt den Benutzer, wenn der Grenzwert überschritten wird.

Programmprofil 1~12

- Betätigen Sie die Up/Down Funktion, um ein Trainingsprogramm auszuwählen, wählen Sie eines der voreingestellten Profile, Bestätigen Sie durch Drücken der Drehknopf.
- Verwenden Sie die Drehknopf, um die Trainingszeit voreinzustellen, Einstellbereich: 1:00 ~ 23:59:00 Minuten (±1:00)
- Drücken Sie die Taste „START/STOP“, um mit dem Training zu beginnen
- Verwenden Sie die Drehknopf, um die Widerstandsstufe einzustellen. Das gesamte Profil wird proportional skaliert. Der Ladezustand wird im LEVEL-Fenster angezeigt.

Im Programmprofilmodus wird die Spannung automatisch auf ein voreingestelltes Profil eingestellt.

!! HINWEIS

- Die Dauer jedes Segments im Profil beträgt 1/20 Ihrer voreingestellten Trainingszeit.
- Wenn keine Trainingszeit eingestellt ist, beträgt die Dauer jedes Segments 100 mtr. und das Profil wird wiederholt neu gestartet, bis Sie das Training selbst beenden.

!! HINWEIS

- Einen Überblick über die einzelnen Programmprofile finden Sie in Abschnitt F, der nach den Zeichnungen der Montageschritte veröffentlicht wird.

Herzfrequenzkontrolle

- Verwenden Sie die Drehknopf, , um ein Trainingsprogramm auszuwählen, wählen Sie HRC (Herzsymbol), Bestätigen Sie durch Drücken der Drehknopf.
- Betätigen Sie die Up/Down Funktion, um das HRC-Ziel festzulegen:
 - 55% = 55% von der Summe (220 minus *Alter)
 - 75% = 75% von der Summe (220 minus *Alter)
 - 90% = 90% von der Summe (220 minus *Alter)
 - TA = Ziel (Standard 100)

*Alter Parameter muss im "Benutzer einstellen" eingestellt werden.

Bestätigen Sie durch Drücken der Drehknopf.

- Wenn TA eingestellt ist, verwenden Sie die Up/ Down Funktion, um das Ziel (40~200), Bestätigen Sie durch Drücken der Drehknopf.
- Verwenden Sie die Drehknopf, um die Trainingszeit voreinzustellen, Einstellbereich: 1:00 ~ 23:59:00 Minuten (±1:00)
- Drücken Sie die Taste „START/STOP“, um mit dem Training zu beginnen.
- Mit „RESET“ gelangen Sie zurück zum Hauptmenü.

Im Cardio-Modus wird die Spannung automatisch auf einen Wert eingestellt, bei dem Ihre Herzfrequenz das voreingestellte HRC-Ziel erreicht.

!! HINWEIS

- Der Cardio-Modus erfordert ein Herzfrequenzsignal, um zu funktionieren.
- Ein Fragezeichen und ein Herzsymbol werden im Hauptfenster angezeigt, wenn das Herzfrequenzsignal nicht von der Konsole empfangen wird.
- Wenn die Herzfrequenz für mehr als 5 Sekunden nicht gemessen wird, schaltet das Programm automatisch in den Pausenmodus.

⚠ SCHNELL-TIPP

- Das Programm „Herzfrequenzkontrolle“ funktioniert am besten, wenn die Benutzereinstellungen korrekt eingestellt sind.

Watt Kontrolle (W)

- Verwenden Sie die Drehknopf, um ein Trainingsprogramm auszuwählen, wählen Sie Watt Kontrolle (W), Bestätigen Sie durch Drücken der Drehknopf.
- Betätigen Sie die Up/Down Funktion, um das Watt-Ziel festzulegen: 100 ist Standard voreingestellt (10~350 ± 5) Bestätigen Sie durch Drücken der Drehknopf.
- Verwenden Sie die Drehknopf, um die Trainingszeit voreinzustellen, Einstellbereich: 1:00 ~ 23:59:00 Minuten (±1:00)
- Drücken Sie die Taste „START/STOP“, um mit dem Training zu beginnen.
- Mit „RESET“ gelangen Sie zurück zum Hauptmenü.

Im Watt-Modus wird die Spannung automatisch auf einen Wert eingestellt, bei dem Watt das voreingestellte Watt-Ziel erreicht.

!! HINWEIS

- Der Watt-Parameter ist eine Berechnung der Drehzahl und des Spannungsniveaus. Wenn die Drehzahl höher ist, ist die Spannung niedriger. Wenn die Drehzahl niedriger ist, ist die Spannung höher.



Benutzerprogramme (U)

Benutzer-Programmiermodus

Ein ausgewähltes Benutzerprogramm wird immer im Programmiermodus geöffnet.

- Verwenden Sie die Drehknopf, um ein Trainingsprogramm aus, wählen Sie Benutzerprofil (U), Bestätigen Sie durch Drücken der Drehknopf.
- Verwenden Sie die Drehknopf, um den Spannungspegel für das erste Profilsegment ein zu stellen. Bestätigen Sie durch Drücken der Drehknopf.
- Wiederholen Sie den Rest der Profilsegment Spannungsiveaus auf die gleiche Weise.

!! HINWEIS

- Jedes Segment, das Sie programmieren und mit der "Mode"-Taste bestätigen, wird automatisch gespeichert.
- Ein vorprogrammiertes Benutzerprogramm kann nicht gelöscht werden, kann aber überschrieben werden, um das Profil jederzeit an Ihre Bedürfnisse anzupassen.

Start eines Benutzerprogramms

- Wenn Sie sich im Programmiermodus befinden, halten Sie die MODE-Taste in jeder Phase des Programmiermodus zwei Sekunden lang gedrückt, um den Zeitprogrammiermodus zu öffnen.
- Verwenden Sie die Drehknopf, um die Trainingszeit voreinzustellen, Einstellbereich: 1:00 ~ 23:59:00 Minuten (±1:00)
- Drücken Sie die Taste „START/STOP“, um mit dem Training zu beginnen.
- Mit „RESET“ gelangen Sie zurück zum Hauptmenü.

Im Benutzerprogramm-Profilmodus wird die Spannung automatisch auf ein voreingestelltes Profil eingestellt. Die Dauer jedes Segments im Profil beträgt 1/8 Ihrer voreingestellten Trainingszeit.

!! HINWEIS

- Es ist nur 1 Benutzerprogramm pro Benutzerprofil verfügbar. Siehe „Benutzer einstellen“

Recovery (Erholung)

Die Erholungsfunktion registriert den Trainingszustand des Herzens durch Messung Ihrer Herzfrequenz in der Erholungsphase in Schlägen pro Minute. Je schneller Ihre Herzfrequenz auf den Normalwert sinkt, desto besser ist Ihr Trainingszustand.

Daher sollte diese Funktion am besten direkt nach dem Training genutzt werden.

- Die Taste RECOVERY ist nur aktiv, wenn ein Puls erkannt wurde.
- TIME zeigt „0:60“ (Sekunden) an und wird auf „0“ herabgezählt.
- Der Computer zeigt nach dem Countdown zum Testen den Herzfrequenz-Recovery-Status F1 bis F6 an. Die Herzfrequenz-Recovery-Stufe kann auf Grundlage folgender Tabelle ermittelt werden.
- Drücken Sie erneut auf die Taste RECOVERY, um zum Anfang zurückzukehren.

So lesen Sie das Testergebnis

Das Ergebnis basiert auf dem Zustand Ihrer Herzfrequenz. Wenn Sie aktiv sind, erhöht sich Ihre Herzfrequenz in Schlägen pro Minute (BPM).

Wenn Sie Ihr Training beenden, wird sich Ihre Herzfrequenz auf ein normales Niveau einpendeln. Je schneller sich Ihre Herzfrequenz stabilisiert, desto besser ist Ihr kardialer Zustand.

Wenn Ihre Herzfrequenz in der Testminute um mindestens 31 Schläge pro Minute sinkt, wird F1 als Ihr Ergebnis angezeigt.

Wenn Ihre Herzfrequenz in der Testminute um 25 und 30 Schläge pro Minute sinkt, wird F2 als Ihr Ergebnis angezeigt. Und so weiter.

F1	Herausragend	31 +
F2	Ausgezeichnet	25 ~ 30
F3	Gut	20 ~ 24
F4	Überdurchschnittlich	16 ~ 19
F5	Durchschnittlich	12 ~ 15
F6	Unterdurchschnittlich	9 ~ 11
F7	Besorgniserregend	6 ~ 8
F8	Schlecht	3 ~ 5
F9	Sehr Schlecht	0 ~ 2
F0	Fehler	Fehler/Ergebnis liegt im Minusbereich

!! HINWEIS

- Die „Recovery“-Daten können nur als persönliche Referenz verwendet werden und haben keinen medizinischen Wert.
- Wenn Ihre Herzfrequenz in der Testminute gestiegen ist, wird F0 angezeigt.

Body Fat (Körperfett)

- Drücken Sie auf die Taste BODY FAT, um mit der Fettmessung zu beginnen.)
- Bei der Messung müssen Nutzerinnen und Nutzer beide Hände an den Handgriffen haben. LCD-Anzeige "----"~ "----" für 8 Sekunden, bis der Computer die Messung abgeschlossen hat.
- LCD zeigt BMI und FAT % an .

!! HINWEIS

- Für diese Funktion sind korrekte „Nutzerprofileinstellungen“ erforderlich.

Körperfett-Modus-Fehlercodes

- *E-1: Es wurde kein Herzfrequenzsignaleingang erkannt.
- *E-4: Tritt auf, wenn FAT% und BMI unter 5 liegt oder 50 übersteigt.

SCHNELL-TIPP

- Die Messfunktion „Körperfett & BMI“ funktioniert am besten, wenn die Benutzereinstellungen korrekt eingestellt sind.

Bluetooth & APP

- Diese Konsole kann über Bluetooth eine Verbindung mit ein APP auf dem Smart-Gerät herstellen. (iOS & Android)
- Erstellen Sie die Bluetooth-Verbindung nur über den Verbindungsmodus auf die installierte APP auf ihr Smartphone oder Tablet
- Wenn die Konsole mit dem Smart-Gerät über Bluetooth verbunden ist, wird die Konsole ausgeschaltet.

!! HINWEIS

- Tunturi bietet nur die Option an, die Fitness-Konsole über eine Bluetooth-Verbindung anzuschließen. Daher ist Tunturi nicht für Schäden oder Fehlfunktionen von Produkten verantwortlich, die nicht von Tunturi sind.
- Überprüfen Sie die Website für zusätzliche Informationen

Diese Konsole kann einen Bluetooth-Herzfrequenzsender empfangen. Das Gerät muss nicht gekoppelt werden, da die Konsole den Herzfrequenzsender automatisch erkennt, wenn er sich in Reichweite befindet.

Reinigung und Wartung

Das Gerät bedarf keiner besonderen Wartung. Das Gerät muss nicht neu kalibriert werden, wenn es gemäß den Anweisungen zusammengebaut, verwendet und gewartet wird.

⚠️ WARNUNG

- Entfernen Sie vor der Reinigung und Wartung den Adapter.
 - Verwenden Sie zur Reinigung des Geräts keine Lösungsmittel.
 - Reinigung und Benutzerwartung dürfen nicht von Kindern ohne Aufsicht durchgeführt werden.
- Reinigen Sie das Gerät nach dem Gebrauch mit einem weichen aufnahmefähigen Lappen.
- Prüfen Sie regelmäßig, ob alle Schrauben und Muttern fest sind.
- Schmieren Sie die Gelenke, falls erforderlich.

Störungen und Fehlfunktionen

Trotz ständiger Qualitätskontrolle können durch Einzelteile verursachte Störungen und Fehlfunktionen am Gerät auftreten. In den meisten Fällen ist es ausreichend, das defekte Teil zu erneuern.

- Falls das Gerät nicht ordnungsgemäß funktioniert, wenden Sie sich unverzüglich an den Händler.
- Nennen Sie dem Händler Modell- und Seriennummer des Geräts. Schildern Sie die Art des Problems, die Gebrauchsbedingungen und das Kaufdatum.

Fehlersuche:

- Wenn Sie trainieren und kein Signal vorhanden ist, überprüfen Sie, ob das Kabel richtig angeschlossen ist.

!! HINWEIS

- Wenn der Computer ungewöhnliche Dinge anzeigt, trennen Sie bitte die Spannungsversorgung fünf Sekunden lang, bevor Sie sie für einen vollständigen Neustart wieder anschließen

Wackeliges oder instabiles Gefühl während des Gebrauchs

Wenn sich die Maschine während des Betriebs als instabil oder instabil anfühlt, ist es ratsam, die Stützfüße so einzustellen, dass der Rahmen auf die richtige Höhe gebracht wird. Lesen Sie die Anweisungen in diesem Handbuch in Abschnitt: "Gebrauch"

Transport und Lagerung

⚠️ WARNUNG

- Entfernen Sie vor dem Transport und der Lagerung den Adapter.
 - Tragen und bewegen Sie das Gerät mit mindestens zwei Personen.
- Bleiben Sie vor dem Gerät auf beiden Seiten und halten Sie die Handgriffe sicher fest. Heben Sie die Vorderseite des Geräts an, damit die Hinterseite auf die Räder gehoben wird. Bewegen Sie das Gerät und setzen Sie es vorsichtig ab. Stellen Sie das Gerät auf eine schützende Unterlage, um Schäden am Bodenbelag zu vermeiden.
- Bewegen Sie das Gerät vorsichtig über unebene Böden. Bewegen Sie das Gerät nicht auf den Rädern Treppen herauf, sondern tragen Sie es an den Handgriffen.
- Lagern Sie das Gerät an einem trockenen Ort mit möglichst wenig Temperaturschwankungen.

Garantie

Eigentümer-garantie für Tunturi fitnessgeräte.

Garantiebedingungen

Der Käufer hat Anspruch auf die anwendbaren Bestimmungen, die in der jeweiligen nationalen Gesetzgebung für den Handel mit Konsumgütern festgelegt sind. Diese Garantie schränkt diese Rechte nicht ein. Die Garantie des Käufers gilt nur, wenn der Artikel in einer Umgebung verwendet und nach Anweisung gewartet wird, die von Tunturi New Fitness BV für dieses Gerät genehmigt wurde. Die produktspezifisch zugelassene Umgebung und Wartungshinweise sind im "Benutzerhandbuch" des Produkts angegeben. Das "Benutzerhandbuch" kann von unserer Website heruntergeladen werden. <http://manuals.tunturi.com>

Garantiedauer

Die Garantie gilt ab Kaufdatum. Die Garantiedauer kann sich je nach Land unterscheiden. Bitte wenden Sie sich an Ihren zuständigen Händler, um die Garantiedauer zu erfahren.

Garantieumfang

Unter keinen Umständen haften die Tunturi New Fitness BV oder der Tunturi-Vertragshändler für dem Käufer möglicherweise zugefügte indirekte Schäden wie Gebrauchsbeeinträchtigung oder Einkommensverlust oder anderen wirtschaftlichen Folgeschäden.

Einschränkungen der garantie

Die Garantie deckt durch Herstellung oder Material hervorgerufene Fehler des Fitnessgeräts in dessen ursprünglicher Zusammensetzung. Unter Voraussetzung, dass die Aufbau-, Pflege- und Gebrauchsanweisungen von Tunturi befolgt wurden, erstreckt sich die Garantie auf solche Fehler, die bei normaler und einem dem Gerät beiliegenden Anleitungsbuch entsprechender Benutzung auftreten können. Die Tunturi New Fitness BV und der Tunturi-Vertragshändler haften nicht für Fehler, die durch Faktoren außerhalb ihrer Einflussmöglichkeiten hervorgerufen wurden. Die Garantie gilt nur für den ursprünglichen Eigentümer und nur in den Ländern, in denen es einen von der Tunturi New Fitness BV autorisierten Importeur gibt. Die Garantie gilt nicht für solche Fitnessgeräte oder Teile, an denen ohne Zustimmung der Tunturi New Fitness BV Veränderungen vorgenommen worden sind. Die Garantie betrifft auch nicht solche Schäden, die durch natürlichen Verschleiß, fehlerhaften Gebrauch, Benutzung unter für das Gerät nicht vorgesehenen Umständen, Korrosion, Verladung oder Transport hervorgerufen wurden.

Ersatzleistungen aufgrund von Geräuschen, die beim Einsatz des Geräts auftreten, sind von der Garantie ausgeschlossen, sofern diese Geräusche den Gebrauch des Geräts nicht wesentlich beeinträchtigen und nicht durch einen Gerätefehler bedingt sind.

Die Garantie beinhaltet keine Wartungsmaßnahmen, wie Reinigung, Schmieren oder normales Kontrollieren der Teile, auch nicht solche Aufbaumaßnahmen, die der Kunde selbst ausführen kann und die kein spezielles Auseinander- oder Zusammenbauen des Fitnessgeräts erfordern. Zu solchen Maßnahmen gehört beispielsweise das Austauschen von Cockpits, Pedalen oder anderer entsprechender einfacher Teile. Andere als die durch einen autorisierten Tunturi-Vertreter ausgeführten Garantieleistungen werden nicht ersetzt. Durch unsachgemäße, d.h. nicht der Bedienungsanleitung entsprechenden, Bedienung, verfällt jedweder Garantieanspruch.

Technische Daten

Parameter	Maßeinheit	Wert
Länge	cm	120.5
	inch	47.4
Breite	cm	59.5
	inch	23.4
Körpergröße	cm	146.5
	inch	57.7
Gewicht	kg	37.5
	lbs	82.7
Max. Benutzergewicht	kg	150.0
	lbs	330.0
Transformatorausgangs- spezifikationen	Stromspannung Ampere	9V-DC 2.0 A
Herzdatenmessung verfügbar über:	Handgriffkontakt	Ja
	5.0 Khz	Nein
	5,3 Khz.	Nein
	Bluetooth (BLE)	Ja
	ANT+	Nein

Herstellereklärung

Tunturi New Fitness BV erklärt, dass das Signature E50 Standfahrrad den folgenden Normen und Richtlinien entspricht:

- RoHS-Richtlinie (2011/65/EU)
- Allgemeine Produktsicherheitsverordnung (GPSR) – (EU) 2023/988

Hiermit erklärt Tunturi New Fitness BV, dass das Funkgerät Signature E50 Standfahrrad der Richtlinie entspricht 2014/53/EU.

Die Konformitätserklärung mit allen Normen und Richtlinien kann auf unserer Website heruntergeladen werden: <https://doc.tunturi.com>

Tunturi New Fitness BV
Purmerweg 1
1311 XE Almere
Die Niederlande

Haftungsausschluss

© 2025 Tunturi New Fitness BV
Alle Rechte vorbehalten.

- Produkt und Handbuch können geändert werden.
- Die technischen Daten können ohne Vorankündigung geändert werden.
- Auf unserer Website finden Sie die neueste Version des Benutzerhandbuchs.

Français

Ce manuel français est une traduction de la version anglaise. Notez que la version anglaise est en tête dans le contenu lorsque des différences sont trouvées.

Indice

Bienvenue	37
Avertissements de sécurité	37
Sécurité électrique	38
Instructions de montage	38
Illustration de description A	38
Illustration de description B	38
Illustration de description C	38
Illustration de description D	38
Informations complémentaires de montage	38
Informations environnementale supplémentaires	39
Exercices	39
Instructions d'entraînement	39
Fréquence cardiaque	40
Usage	40
Réglage des pieds de support.....	40
Régler la console.....	40
Réglage de la position horizontale de la selle	41
Réglage de la position verticale de la selle.....	41
Réglage du guidon	41
Alimentation électrique.....	41
Console	41
Explication des fonctions à l'écran	41
Explication des boutons.....	42
Fonctionnement	43
Programmes	43
Définir l'utilisateur	43
Mode manuel	44
Profil de programme 1-12.....	44
Contrôle du rythme cardiaque	44
Watt control (W)	45
Programme utilisateur (U).....	45
Recovery (Récupération)	45
Body Fat (Masse grasse).....	46
Bluetooth & APP	46
Nettoyage et maintenance	46
Défauts et dysfonctionnements	46
Transport et rangement	46
Garantie	46
Données techniques	47
Déclaration du fabricant	47
Limite de responsabilité	47

Bienvenue

Bienvenue dans l'univers de Tunturi Fitness !

Merci pour votre achat de cet élément d'équipement Tunturi.

Tunturi offre toute une gamme d'équipements de fitness professionnels, notamment des vélos elliptiques, tapis de course, vélos d'appartement, rameurs, bancs de musculation, multi stations et accessoires. Les équipements Tunturi sont parfaits pour toute la famille, quel que soit le niveau de forme de ses membres. Pour en savoir plus, visitez notre site Web www.tunturi.com

Consignes de sécurité importantes

Ce Manuel est un élément essentiel de votre équipement d'entraînement : veuillez lire toutes les instructions qu'il contient avant de commencer à utiliser cet équipement. Les consignes suivantes doivent toujours être respectées :

Avertissements de sécurité

⚠ AVERTISSEMENT

- Lisez les avertissements de sécurité et les instructions. Le non respect des avertissements de sécurité et des instructions est une source de blessure et de dégâts de l'équipement. Conservez les avertissements de sécurité et les instructions pour référence ultérieure.

⚠ AVERTISSEMENT

- Les systèmes de suivi de la fréquence cardiaque peuvent être inexacts. Un exercice excessif peut entraîner des blessures graves voire mortelles. Si vous sentez défaillir, interrompez immédiatement l'exercice.
- L'équipement est uniquement adapté à un usage domestique. L'équipement ne convient pas à un usage commercial.
- La durée d'utilisation maximum est limitée à 5 heures par jour.
- Cet appareil peut être utilisé par des enfants âgés de 8 ans et plus et par des personnes ayant des capacités physiques, sensorielles ou mentales réduites ou manquant d'expérience et de connaissances s'ils ont reçu une surveillance ou des instructions concernant l'utilisation de l'appareil de manière sûre et comprennent les dangers encourus.
- Les enfants doivent être surveillés pour s'assurer qu'ils ne jouent pas avec l'appareil.
- Avant de commencer vos exercices, effectuez un bilan de santé auprès d'un médecin.
- Si vous êtes pris de nausées ou de vertiges ou sentez d'autres symptômes normaux pendant l'entraînement, interrompez immédiatement la session et consultez votre médecin.
- Afin d'éviter toutes douleurs et tensions musculaires, commencez vos séances par des échauffements et terminez-les par une récupération. N'oubliez pas de vous étirer après vos exercices.
- L'équipement est uniquement adapté à un usage intérieur. L'équipement ne convient pas à un usage extérieur.
- Utilisez l'équipement uniquement dans des environnements correctement ventilés. N'utilisez pas l'équipement dans des endroits exposés aux courants d'air afin de ne pas vous enrhumier.
- Utilisez l'équipement uniquement à une température ambiante entre 10°C~35°C/ 50°F~95°F. Rangez l'équipement uniquement à une température ambiante entre 5°C~45°C/ 41°F~113°F.
- N'utilisez et ne rangez pas l'équipement dans un environnement humide. L'humidité de l'air ne doit jamais dépasser 80 %.
- Utilisez l'équipement uniquement pour son usage prévu. N'utilisez pas l'équipement pour d'autres usages que ceux décrits dans le manuel.

- N'utilisez pas l'équipement si l'une de ses pièces est endommagée ou défectueuse. Si une pièce est endommagée ou défectueuse, contactez votre revendeur.
- Maintenez vos mains, vos pieds et les autres parties de votre corps à l'écart des pièces mobiles.
- Maintenez votre chevelure à l'écart des pièces mobiles.
- Portez des vêtements et des chaussures adaptés.
- Maintenez les vêtements, bijoux et autres objets à l'écart des pièces mobiles.
- Assurez-vous qu'une seule personne utilise l'équipement à la fois. L'équipement ne doit pas être utilisé par des personnes pesant plus de 135 kg (300 lbs).
- N'ouvrez pas l'équipement sans consulter votre revendeur.

Sécurité électrique

- Avant usage, assurez-vous toujours que la tension secteur est identique à celle de la plaque signalétique de l'équipement.
- N'utilisez pas de rallonge.
- Maintenez le câble secteur à l'écart de la chaleur, de l'huile et des bords coupants.
- N'altérez et ne modifiez aucunement le câble secteur ou la fiche secteur.
- N'utilisez pas l'équipement si le câble secteur ou la fiche secteur est endommagé ou défectueux. Si le câble secteur ou la fiche secteur est endommagé ou défectueux, contactez votre revendeur.
- Déroulez toujours complètement le câble secteur.
- Ne passez pas le câble secteur sous l'équipement. Ne passez pas le câble secteur sous un tapis. Ne placez aucun objet sur le câble secteur.
- Assurez-vous que le câble secteur ne pend pas sur le bord d'une table. Assurez-vous que le câble secteur ne peut pas être happé par accident ou faire trébucher.
- Ne laissez pas l'équipement sans surveillance si la fiche secteur est insérée dans la prise murale.
- Ne tirez pas sur le câble secteur pour retirer la fiche secteur de la prise murale.
- Retirez la fiche secteur de la prise murale lorsque l'équipement n'est pas utilisé, avant l'assemblage et le démontage et avant le nettoyage et la maintenance.

AVERTISSEMENT

- N'utilisez jamais d'eau ou tout autre liquide directement sur ou à proximité de l'équipement, mais uniquement à l'aide d'un chiffon humide si cela est nécessaire pour nettoyer la machine.
- L'utilisation directe de liquide est nocive pour les composants de l'équipement et peut entraîner un choc électrique causé par un court-circuit. Cela pourrait entraîner des blessures graves, voire mortelles.
- L'appareil ne doit être utilisé qu'avec le bloc d'alimentation fourni avec l'appareil.

Instructions de montage

Illustration de description A

Cette illustration montre ce à quoi le trainer ressemblera une fois le montage terminé.

Vous pouvez l'utiliser au titre de référence lors du montage mais suivez bien les étapes de montage dans l'ordre indiqué tel que les illustrations le montrent.

Illustration de description B

Cette illustration montre les composants et les pièces que vous devez trouver après avoir déballé le produit.

!! REMARQUE

- Les petites pièces peuvent être cachées/rangées dans des espaces de la protection en polystyrène du produit.
- Si une pièce manque, contactez votre revendeur.

Illustration de description C

Cette illustration montre le kit de quincaillerie fourni avec le produit. Le kit de quincaillerie contient des boulons, des rondelles, des vis, des écrous, etc. ainsi que les outils vous permettant d'installer correctement votre trainer.

Illustration de description D

Ces illustrations vous indiquent l'ordre de montage correct pour monter votre trainer.

AVERTISSEMENT

- Assemblez l'équipement dans l'ordre indiqué.
- Deux personnes au moins sont nécessaires pour transporter et déplacer l'équipement.

PRÉCAUTION

- Placez l'équipement sur une surface plane et ferme.
- Placez l'équipement sur une base protectrice pour éviter d'endommager la surface du sol.
- Prévoyez un dégagement d'au moins 100 cm autour de l'équipement.
- Consultez les illustrations pour l'assemblage correct de l'équipement.

Informations complémentaires de montage

D3 Comment installer correctement les pédales

!! REMARQUE

- La droite et la gauche sont définies du point de vue de la position lors de l'exercice.

Pédale droite

Cherchez l'indication « R » (droite) ou « L » (gauche) sur l'axe de la pédale.

- Installez la pédale droite portant l'indication « R » sur le bras de pédale droit.
- Faites d'abord tourner manuellement l'axe de la pédale dans le sens des aiguilles d'une montre.
- Utilisez la clé pour bien serrer la pédale.

Pédale gauche

- Installez la pédale gauche portant l'indication « L » sur le bras de pédale gauche.
- Faites d'abord tourner manuellement l'axe de la pédale dans le sens inverse des aiguilles d'une montre.
- Utilisez la clé pour bien serrer la pédale.



Cliquez pour voir notre vidéo YouTube d'assistance
<https://youtu.be/3BiN9mc5Tmw?t=101>

Informations supplémentaires relatives au montage - étape D4 & D5

- Connectez le câble provenant du châssis principal et la partie inférieure du câble prééquipant le tube vertical.
- Placez le tube vertical sur la patte de fixation du cadre principal, où les boulons de fixation sont et restent prémontés. (Lorsque vous abaissez le tube vertical, tirez délicatement la partie supérieure du câble vers le haut pour éviter qu'il ne se retrouve coincé).

- Le tube vertical devrait venir se positionner automatiquement au centre, mais nous vous recommandons d'apporter les petites corrections nécessaires pour vous assurer que la position est bonne.
- La position parfaite est quand les boulons de fixation sont parfaitement alignés sur les trous du tube vertical.

!! REMARQUE

- Évitez que la connexion du câble entre ces deux parties ne soit pincée en fixant le connecteur du câble dans le support.
 - En fixant les deux boulons (en les serrant dans le sens horaire) sur le devant, vous allez élargir la patte de fixation de sorte à fixer fermement le tube vertical.
- Pour fixer le tube vertical fermement, il est nécessaire de d'abord bien serrer le boulon sur le côté supérieur.
 - Après avoir fixé le boulon supérieur, vous devez bien serrer le boulon inférieur.
 - Lorsque vous fixez le boulon inférieur, le tube vertical va se déplacer légèrement, ce qui va vous permettre de serrer un peu plus le boulon supérieur. Vous devrez alors serrer à nouveau le boulon supérieur.
 - Répétez ces étapes jusqu'à ce que les deux boulons soient bien serrés, de même que le tube vertical.



Cliquez pour voir notre vidéo YouTube d'assistance
<https://youtu.be/3BiN9mc5Tmw?t=180>

!! NOTE

- Conservez les outils livrés avec ce produit après son montage, pour d'éventuels entretiens.

Informations environnementale supplémentaires

Élimination des emballages

Les réglementations gouvernementales nous demandent de réduire la quantité de matériaux déposés dans les décharges. C'est pour cela que nous faisons appel à votre responsabilité et vous demandons de déposer les emballages dans des centres de recyclage publics.

Élimination du produit

Chez Tunturi, nous espérons que vous profiterez longtemps de votre appareil de fitness. Cependant, nous savons bien qu'un jour ou l'autre votre machine arrivera au terme de sa vie utile. Selon la directive européenne sur les DEEE, vous êtes responsable de vous séparer correctement de votre appareil de fitness en le déposant dans un site public agréé de récupération des déchets.

Exercices

Un exercice doit être suffisamment léger mais prolongé. L'exercice aérobic repose sur l'amélioration de l'absorption maximum d'oxygène par le corps, améliorant à son tour l'endurance et la forme. Vous devez transpirer mais sans jamais être à bout de souffle durant l'exercice.

Pour atteindre et entretenir un niveau de forme basique, exercez-vous au moins 3 fois par semaine, par session de 30 minutes. Accroissez le nombre des sessions d'exercice pour améliorer votre niveau de forme. Il est profitable de combiner un exercice régulier et un régime sain. Une personne suivant un régime doit s'exercer au quotidien, au début 30 minutes ou moins pour chaque session afin d'accroître ensuite progressivement le temps d'exercice quotidien pour atteindre une heure. Commencez vos exercices à une vitesse lente et avec une faible résistance pour éviter de soumettre le système cardiovasculaire à une contrainte excessive. À mesure de l'amélioration de votre

forme, accroissez progressivement la vitesse et la résistance. L'efficacité de votre exercice est mesurable en suivant votre fréquence cardiaque et votre pouls.

Instructions d'entraînement

L'utilisation de votre appareil de fitness vous procurera plusieurs avantages : il vous permettra d'améliorer votre forme physique, de tonifier vos muscles et, associé à un régime hypocalorique, de perdre du poids.

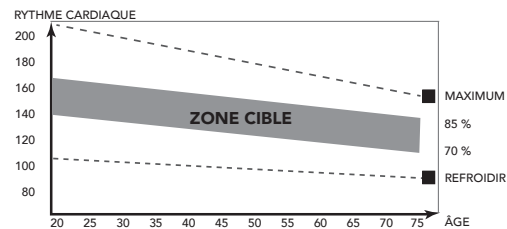
Phase d'échauffement

Cette étape favorise la circulation du sang dans tout le corps et le bon fonctionnement des muscles. Elle réduit également le risque de crampes et de lésions musculaires.

Il est conseillé de faire quelques exercices d'étirement, comme ceux qui sont indiqués ci-dessous. Chaque étirement doit être maintenu pendant environ 30 secondes. Ne forcez pas ou n'étirez pas excessivement un muscle. Si vous sentez qu'une position vous fait mal, ARRÊTEZ.

Phase d'exercice

C'est l'étape principale de votre entraînement. Après une utilisation régulière de l'appareil, vous sentirez que les muscles de vos jambes ont gagné en souplesse. Il est très important de maintenir un rythme régulier tout au long de la séance. Le rythme de travail doit être suffisant pour faire monter votre rythme cardiaque dans la zone cible indiquée sur le graphique ci-dessous.



Cette étape doit durer au moins 12 minutes, bien que l'on commence généralement à environ 15-20 minutes.

Phase de refroidissement

Cette étape a pour objectif de laisser votre système cardiovasculaire et vos muscles reprendre leur rythme normal. Il s'agit d'une répétition de l'exercice d'échauffement. Baissez le rythme et continuez pendant environ 5 minutes. Vous devez ensuite refaire les exercices d'étirement et souvenez-vous de ne pas forcer ou trop étirer un muscle dans une certaine position.

À mesure que vous améliorerez votre forme, vous ressentirez peut-être le besoin de vous entraîner plus longtemps ou de faire des entraînements plus poussés. Il est conseillé de s'entraîner au moins trois fois par semaine et, si possible, d'espacer les séances régulièrement tout au long de la semaine.

Tonification musculaire

Pour tonifier vos muscles à l'aide de l'appareil de fitness, vous devrez sélectionner une résistance assez élevée. Les muscles de vos jambes seront davantage sollicités et vous ne pourrez peut-être pas vous entraîner aussi longtemps que vous le voudriez. Si vous souhaitez également améliorer votre forme, vous devrez modifier votre programme d'entraînement. Entraînez-vous normalement pendant les phases d'échauffement et de refroidissement, mais vers la fin de l'exercice, augmentez la résistance en faisant travailler vos jambes davantage.

Vous devrez réduire la vitesse pour maintenir votre rythme cardiaque dans la zone cible.

Perte de poids

Ici, le facteur important est l'effort que vous déployez. Plus vous entraînez longtemps et de manière soutenue, plus vous brûlerez de calories. C'est en réalité le même principe que pour l'entraînement d'amélioration de la forme ; la différence est l'objectif recherché.

Fréquence cardiaque

Mesure du pouls (pulsomètres)

Le pouls est mesuré par des capteurs dans les poignées lorsque l'utilisateur touche les deux capteurs à la fois.

La mesure la plus précise du pouls nécessite une peau légèrement humide et un contact constant des pulsomètres. Si la peau est trop sèche ou humide, la mesure du pouls peut devenir moins précise.

!! NOTE

- N'utilisez pas les pulsomètres en même temps que la sangle thoracique de fréquence cardiaque.
- Si vous réglez une fréquence cardiaque limite pour votre exercice, une alarme retentit dès qu'elle est dépassée.

Mesure de la fréquence cardiaque (sangle thoracique de fréquence cardiaque)

!! NOTE

- Une sangle de poitrine ne vient pas standard avec cet entraîneur. Lorsque vous souhaitez utiliser une sangle de poitrine sans fil, vous devez l'acheter en tant qu'accessoire.

La sangle thoracique de fréquence cardiaque assure la mesure de fréquence cardiaque la plus précise. La fréquence cardiaque est mesurée par un récepteur combiné à la sangle thoracique de fréquence cardiaque. Une mesure précise de la fréquence cardiaque nécessite des électrodes de sangle émettrice légèrement humides et en contact constant avec la peau. Si les électrodes sont trop sèches ou humides, la mesure de la fréquence cardiaque peut devenir moins précise.

⚠ AVERTISSEMENT

- Si vous portez un stimulateur cardiaque, consultez votre médecin avant d'utiliser une sangle thoracique de fréquence cardiaque.

⚠ PRÉCAUTION

- Si plusieurs dispositifs de mesure de la fréquence cardiaque sont proches les uns des autres, assurez-vous qu'ils sont au moins distants de 2 mètres.
- En présence d'un récepteur unique de fréquence cardiaque pour plusieurs émetteurs, assurez-vous qu'une seule personne avec un émetteur est à portée de transmission.

!! NOTE

- N'utilisez pas les pulsomètres en même temps que la sangle thoracique de fréquence cardiaque.
- Portez toujours la sangle thoracique de fréquence cardiaque sous vos vêtements, en contact direct avec votre peau. Ne portez pas votre sangle thoracique de fréquence cardiaque par-dessus vos vêtements. Si vous portez la sangle thoracique de fréquence cardiaque sur vos vêtements, il n'y a pas de signal.
- Si vous réglez une fréquence cardiaque limite pour votre exercice, une alarme retentit dès qu'elle est dépassée.
- L'émetteur transmet la fréquence cardiaque à une console jusqu'à une distance de 1,5 mètre. Si les électrodes ne sont pas suffisamment mouillées, votre fréquence cardiaque ne s'affiche pas.
- Certaines fibres des vêtements (par ex. polyester, polyamide) créent de l'électricité statique qui peut empêcher la mesure précise de la fréquence cardiaque.

- Les téléphones portables, télévisions et autres appareils électriques créent un champ électromagnétique susceptible d'empêcher une mesure précise de la fréquence cardiaque.

Fréquence cardiaque maximum (durant l'exercice)

La fréquence cardiaque maximum est la fréquence la plus élevée qu'une personne peut atteindre en toute sécurité sous la contrainte de l'exercice. La formule suivante sert à calculer la fréquence cardiaque maximum moyenne : $220 - \text{ÂGE}$ La fréquence cardiaque maximum varie d'une personne à l'autre.

⚠ AVERTISSEMENT

- Assurez-vous de ne pas dépasser votre fréquence cardiaque maximum durant l'exercice. Si vous appartenez à un groupe à risque, consultez un médecin.

Débutant

50-60% de fréquence cardiaque maximum

Adapté aux débutants, aux personnes suivant leur poids, aux convalescents et aux personnes ne s'exerçant pas depuis un certain temps. Exercez-vous au moins trois fois par semaine, par session de 30 minutes.

Avancé

60-70% de fréquence cardiaque maximum

Adapté aux personnes souhaitant améliorer et entretenir leur forme. Exercez-vous au moins trois fois par semaine, par session de 30 minutes.

Expert

70-80% de fréquence cardiaque maximum

Adapté aux personnes les plus en forme, habituées aux exercices d'endurance prolongés.

Usage

Réglage des pieds de support

L'équipement est équipé de pieds de support réglables.

Si l'équipement semble instable, bancal ou n'est pas de niveau, vous pouvez régler ces pieds de support afin de procéder aux corrections nécessaires.

- Tournez les pieds de support vers l'intérieur/vers l'extérieur tel que cela est nécessaire afin de stabiliser l'équipement et pour qu'il soit bien de niveau.
- Serrez les contre-écrous* pour verrouiller les pieds de support.

!! REMARQUE

- L'équipement est plus stable lorsqu'il est aussi près que possible du sol. Par conséquent, commencez à mettre l'équipement de niveau en tournant complètement tous les pieds de support vers l'intérieur avant de les tourner vers l'extérieur afin de stabiliser l'équipement et de le mettre de niveau.



Cliquez pour voir notre vidéo YouTube d'assistance
<https://youtu.be/3BiN9mc5Tmw?t=535>

Régler la console

L'angle de vue de la console peut être ajusté en fonction de la hauteur et de la position d'exercice de l'utilisateur.

- Ajustez librement la console à la position souhaitée sans avoir à relâcher la position de fixation.
- Le support de console est un système de fixation automatique.

!! REMARQUE

- Lorsque la console ne peut pas maintenir la position souhaitée en toute sécurité, vous pouvez facilement resserrer la fixation.
- Retirez les capuchons ronds du pivot et serrez légèrement les vis exposées au niveau de serrage souhaité, jusqu'à ce que la console tienne fermement, tout en restant suffisamment souple pour ajuster l'angle de vue.

Réglage de la position horizontale de la selle

La position horizontale de la selle est réglable en l'amenant à la position requise.

- Desserrez le bouton de réglage de la selle.
- Amenez la selle à la position requise.
- Serrez le bouton de réglage de la selle.

Réglage de la position verticale de la selle

La position verticale de la selle est réglable en amenant le tube de selle à la position requise. Avec la jambe pratiquement droite, la voûte plantaire doit toucher la pédale en son point le plus bas.

- Desserrez le bouton de réglage du tube de selle.
- Amenez le tube de selle à la position requise.
- Serrez le bouton de réglage du tube de selle.



Cliquez pour voir notre vidéo YouTube d'assistance
<https://youtu.be/3BiN9mc5Tmw?t=486>

Réglage du guidon

Le guidon est réglable selon la hauteur et la position d'exercice de l'utilisateur.

- Desserrez le bouton de réglage du guidon.
- Amenez le guidon à la position requise.
- Serrez le bouton de réglage du guidon.

!! REMARQUE

- La poignée de réglage du guidon est équipée d'un système à ressort qui permet de positionner facilement la poignée dans n'importe quel sens après avoir fixé le guidon.
- Tirez la poignée vers l'extérieur, tout en appuyant avec votre pouce sur le bouton central pour la déplacer librement. Relâcher pour activer à nouveau la fonction de fixation/libération.

Alimentation électrique

L'alimentation de l'appareil d'entraînement est externe. Reportez-vous à l'illustration pour situer l'entrée de l'alimentation de l'appareil d'entraînement. (Fig. E)

!! NOTE

- Fixer le transformateur sur la achine avant de le brancher dans une prise murale.
- Toujours retirer le cordon d'alimentation lorsque la machine n'est pas en fonctionnement

Console



1. Écran
2. Assistance tablette/livre
3. Boutons
4. Port de chargement USB

⚠ PRÉCAUTION

- Maintenez la console à l'écart de la lumière directe du soleil.
- Séchez la surface de la console dès qu'elle est couverte de gouttes de sueur.
- Ne vous appuyez pas sur la console.
- Touchez l'affichage uniquement avec le bout du doigt. Assurez-vous de ne pas toucher l'affichage avec vos ongles ou des objets coupants.

!! NOTE

- La console passe en mode de veille si l'équipement n'est pas utilisé pendant 4 minutes.

Explication des fonctions à l'écran

Time (Durée)

- La durée est additionnée sans définir de valeur cible.
- Lorsqu'une valeur cible est fixée, la durée est comptée à rebours, de la valeur cible à 0 et l'alarme résonnera ou clignotera. La durée continuera à s'additionner si l'entraînement n'est pas arrêté une fois l'objectif atteint.
- Plage d'affichage: 00:00:00 ~ 23:59:59.

L'affichage supplémentaire de l'heure (sous le support de la tablette) duplique la fenêtre de l'heure, en se limitant à l'affichage des minutes et des secondes.

Speed (Vitesse)

- Affiche la vitesse actuelle d'entraînement.
- Plage d'affichage: 0.0 ~ 99.9 km/h.
- SPEED affiche « 0.0 » si aucun signal n'est transmis au moniteur pendant 4 secondes au cours de l'entraînement.

L'affichage supplémentaire de la vitesse (sous le support de la tablette) duplique la fenêtre principale de la vitesse.

RPM (tr/min)

- Affichage des rotations par minute
- Plage d'affichage: 0 - 15 ~ 999 RPM.
- RPM affiche « 0 » si aucun signal n'est transmis au moniteur pendant 4 secondes au cours de l'entraînement.

Watt

- Affiche la puissance actuelle de l'entraînement.
- Plage d'affichage: 0 ~ 999 Watt.
- ▲ Le symbole s'affiche dans la fenêtre Level lorsque le nombre de Level cible est inférieur au nombre de watts de l'entraînement en cours.
Vous pédalez trop vite, ou l'objectif fixé est trop bas.
- ▼ Le symbole s'affiche dans la fenêtre Level lorsque le nombre de watts cible est supérieur au nombre de watts de l'entraînement en cours.
Vous pédalez trop lentement, ou l'objectif fixé est trop élevé.

Level

- Indique le réglage du niveau de tension, lors du réglage de la résistance, pendant 3 secondes.
- ▲ Le symbole clignote dans la fenêtre de niveau lorsque vous vous entraînez avec un profil préprogrammé, 3 secondes avant que le niveau de tension n'augmente, pour vous avertir d'une augmentation prochaine de la tension après le profil.
- ▼ Le symbole clignote dans la fenêtre de niveau lors de l'exécution d'un profil préprogrammé, 3 secondes avant que le niveau de tension ne baisse, afin de vous avertir d'une baisse de tension imminente après le profil.

!! REMARQUE

- Si aucun objectif de temps n'est défini, les symboles de flèche vers le haut/bas ne signaleront pas l'ajustement de la résistance 3 secondes avant le changement de résistance.

Distance

- La distance parcourue est additionnée sans définir de valeur cible.
- Lorsqu'une valeur cible est fixée, la distance est comptée à rebours, de la valeur cible à 0 avec une alarme sonore ou clignotante.
La distance parcourue continuera à s'additionner si l'entraînement n'est pas arrêté une fois l'objectif atteint.
- Plage d'affichage: 0.00 ~ 99.99 KM.

L'affichage supplémentaire de la distance (sous le support de la tablette) dupliquera la fenêtre principale de la distance.

Calories

- Les calories s'additionnent sans définir de valeur cible.
- Lorsqu'une valeur cible est fixée, les calories sont comptées à rebours, de la valeur cible à 0 avec une alarme sonore ou clignotante.
Les calories continueront à s'additionner si l'entraînement n'est pas arrêté une fois l'objectif atteint.
- Plage d'affichage: 0 ~ 999 calories.

!! REMARQUE

- Ces données sont fournies à titre indicatif pour comparer entre différentes séances d'entraînement ; elles ne doivent pas être utilisées dans le cadre d'un traitement médical.

Pulse (Pouls)

- Le pouls actuel s'affiche après 6 secondes de la détection par la console.
- La console affiche « P » s'il n'y a aucun signal de pouls pendant 6 secondes.
- L'alarme de pouls résonne lorsque le pouls actuel est supérieur au pouls cible.
- Plage d'affichage: 0 - 40 ~ 200 BPM

!! REMARQUE

- L'icône de pouls rouge clignote lorsqu'une fréquence cardiaque est reçue. Il faut quelques secondes pour afficher la fréquence cardiaque sous forme de chiffre en raison du processus de calcul de la moyenne nécessaire.
- La valeur mesurée ne peut pas être utilisée comme base médicale.

L'affichage supplémentaire du pouls (sous le support de la tablette) dupliquera la fenêtre principale du pouls.

affichage des zones de fréquence cardiaque en 4 couleurs.

L'affichage de la fréquence cardiaque en 4 couleurs indique votre zone de fréquence cardiaque en fonction de l'âge défini par l'utilisateur en pourcentage.

Le calcul est le suivant.

Mesurez la FC divisée par la FC max., multipliez le résultat par 100.

Fréquence cardiaque maximale pour les hommes (220 - Âge)

Fréquence cardiaque maximale pour les femmes (226 - Âge)

BAI™

- Affichage de la consommation BAI valeur BAI pendant l'entraînement
- Plage d'affichage 0/999

!! REMARQUE

- Le BAI (Body Activity Index) ou Indice d'activité corporelle est la somme du volume d'entraînement effectif.
- Volume d'entraînement = Intensité de l'entraînement x Durée de l'entraînement.

Le BAI calcule le volume d'entraînement effectif en fonction de votre fréquence cardiaque, de votre âge, de votre sexe et de la durée.

Pendant l'entraînement, vous pouvez voir que le BAI s'accumule.

Dès que vous avez terminé une séance d'entraînement, vous pouvez obtenir un point BAI total pour cette séance, qui correspond au volume total d'entraînement effectif de cette séance.

Si vous vous entraînez plus durement et dans une zone de fréquence cardiaque plus élevée, vous obtenez des points BAI plus rapidement.

Si vous vous entraînez moins durement et dans une zone de fréquence cardiaque moins élevée, vous obtenez des points BAI plus lentement.

Nous vous recommandons de vous entraîner en accumulant 100 points BAI chaque semaine pour améliorer vos capacités cardio.

Affichage central

- La première ligne présente les profils des programmes.
- Le coin supérieur droit indique l'utilisateur sélectionné (U1, U2, U3, U4)
- L'affichage en pointillés plus petits traduit graphiquement la courbe d'intensité du profil du programme.
 - * En contrôle de la tension : Chaque point représente 2 niveaux de tension.
 - * En mode HRC : Chaque point représente un niveau de tension comme s'il était contrôlé par la tension.
 - * En mode Watt : Chaque point représente un niveau de tension comme s'il était contrôlé par la tension.

Explication des boutons

Tournez le bouton de réglage dans le sens des aiguilles d'une montre (En haut)

- Augmente le niveau de résistance pendant l'entraînement.
- Tourner le bouton rotatif dans le sens des aiguilles d'une montre pour augmenter la valeur

Tournez le bouton de réglage dans le sens inverse des aiguilles d'une montre (En Bas)

- Réduit le niveau de résistance pendant l'entraînement.
- Tourner le bouton rotatif dans le sens contraire des aiguilles d'une montre pour diminuer la valeur.

Appuyez sur le bouton de sélection (mode/ entrer)

- Confirmez le paramètre ou le choix.
- Arrêtez la fonction de balayage de l'affichage et corrigez le paramètre actuel dans l'affichage central lorsque vous êtes en mode entraînement.
- Passez au paramètre suivant lorsque vous êtes en mode d'affichage fixe.

!! REMARQUE

- Lorsque vous arrêtez le mode de balayage en choisissant un paramètre spécifique, il n'y a aucun moyen d'activer à nouveau la fonction de balayage autrement qu'en appuyant rapidement deux fois sur « Start/Stop » pour mettre rapidement en pause et redémarrer votre entraînement.

Reset (Réinitialisation)

- En mode réglage, appuyer une fois sur la touche RESET pour réinitialiser les chiffres actuels des fonctions.
- Maintenir la touche RESET enfoncée pendant 3 secondes pour réinitialiser tous les chiffres des fonctions.

Start/ Stop

- Démarrer ou arrêter (pause) l'exercice.

Body Fat (Masse grasse)

- Permet de mesurer la masse grasse en % et l'IMC.

Recovery (Récupération)

- Après la détection du signal d'impulsion par la console, appuyer sur la touche RECOVERY (récupération) pour passer en mode récupération et suivre la capacité de récupération du rythme cardiaque

Fonctionnement

Marche

- Branchez l'alimentation électrique : l'ordinateur se met sous tension et affiche tous les segments sur l'écran LCD pendant 2 secondes.
- Appuyer sur une touche pour mettre en marche la console en mode veille.
- Commencer à pédaler pour mettre en marche la console en mode veille.

!! REMARQUE

- La console passe en mode veille lorsque l'équipement n'est pas utilisé pendant 4 minutes.

Mode veille


Lorsque la console est en mode veille, toutes les fenêtres d'information sont effacées comme si elle était en mode arrêt.

Mise hors tension

- Pour éteindre l'appareil d'entraînement, il est nécessaire de retirer la source d'alimentation de l'appareil d'entraînement.

Sélection de l'entraînement

Utilisez la tournez la molette pour définir pour sélectionner :

M	Manuel
P1 ~ P12	Profil de programme 1 ~ 12
	Contrôle du rythme cardiaque
W	Watt control
U	Programme utilisateur

Fonction USB

L'utilisateur peut connecter son dispositif pour le recharger pendant son entraînement.

Tension/ courant: 5VDC/ 1.0 Amp

Programmes

Quick start (démarrage rapide)

- Appuyez sur la touche « START/STOP » pour commencer votre entraînement sans configurer aucun paramètre au préalable.
- Utilisez la tournez la molette pour définir pour ajuster le niveau de résistance pendant l'entraînement.

Fin de l'entraînement

- Appuyez sur « START/STOP » en mode entraînement pour arrêter/ mettre en pause votre entraînement.
Pour relancer votre entraînement, appuyez sur le bouton « START/ STOP » en mode pause.
- Appuyez sur la touche « RESET » (en mode Pause) pour réinitialiser toutes les données d'entraînement.
- Maintenez la touche « RESET » enfoncée pendant 3 secondes pour réinitialiser la console. (Les données d'entraînement actives seront perdues)

⚠ ASTUCE RAPIDE

- Lorsque vous êtes en mode Pause, vous pouvez utiliser la touche « Mode/Composition » pour ajuster les objectifs que vous vous êtes fixés.
- Appuyez sur mode pour sélectionner : Temps/ Distance/ Calories et/ou Pous.
- Tournez la molette pour définir l'objectif selon vos préférences et appuyez sur « Mode » pour sélectionner le premier paramètre suivant à modifier si nécessaire, ou appuyez sur la touche « Démarrer/Arrêter » pour reprendre l'entraînement.

Définir l'utilisateur

Un utilisateur peut être sélectionné lorsque la console est en mode « Démarrage ».

Lorsque la console est en mode fonctionnel, appuyez sur la touche « RESET » pendant plus de 3 secondes pour redémarrer la console et passer en mode « Démarrage ».

Vous voyez « U1 » clignoter (ou le dernier utilisateur sélectionné U1~U4).

- Sélectionnez l'utilisateur, tournez la molette pour sélectionner U1-U4, confirmer en appuyant sur le bouton de numérotation.
- Sélectionnez le sexe, tournez la molette pour sélectionner ♂ (homme)/ ♀ (femme), confirmer en appuyant sur le bouton de numérotation.
- Définissez l'âge (A), tournez la molette pour sélectionner Plage de réglage: 1 ~ 99 (±1), confirmer en appuyant sur le bouton de numérotation.
- Réglez la taille (H), tournez la molette pour sélectionner Plage de réglage: 100~200 cm (±1), confirmer en appuyant sur le bouton de numérotation.

- Réglez le poids (W), tournez la molette pour sélectionner Plage de réglage: 20~150 kg (±1), confirmer en appuyant sur le bouton de numérotation.

!! REMARQUE

- Le réglage des paramètres utilisateur corrects est nécessaire pour :
 1. Fonctionnalité correcte de programme cible de fréquence cardiaque.
 2. La fonction correcte de mesure de la graisse corporelle et de l'IMC.
- La sélection d'un utilisateur détermine les « programmes utilisateur » qui seront chargés. Voir « Programme utilisateur »

Mode manuel

- Utilisez la tournez la molette pour définir pour sélectionner le programme d'entraînement, sélectionnez le mode M (manuel) et confirmer en appuyant sur le bouton de numérotation.
- Utilisez la tournez la molette pour prédéfinir la durée de l'entraînement, Plage de réglage: 1:00 ~ 23:59:00 minutes (± 1:00), confirmer en appuyant sur le bouton de numérotation.
- Utilisez la tournez la molette pour prédéfinir la distance d'entraînement, Plage de réglage: 0.10 ~ 99.90 Km. (± 0.10), Confirmer en appuyant sur le bouton de numérotation.
- Utilisez la tournez la molette pour prédéfinir les calories d'entraînement, Plage de réglage: 10 ~9990 Cal. (± 10), Confirmer en appuyant sur le bouton de numérotation.
- Utilisez la tournez la molette pour prédéfinir une limite pour les pulsations Plage de réglage: 40 ~200 BPM (± 1), confirmer en appuyant sur le bouton de numérotation.
- Appuyez sur la touche « START/STOP » pour commencer l'entraînement
- Utilisez la tournez la molette pour définir pour régler le niveau de résistance. Le niveau de charge est affiché dans la fenêtre « LEVEL ».

!! REMARQUE

- Si vous vous fixez plusieurs objectifs, l'entraînement s'arrêtera après chaque objectif atteint.
- Si vous laissez un objectif vide, il ne sera pas considéré comme une limite prédéfinie.
- Si vous fixez une limite pour les pulsations, l'entraînement ne s'arrêtera pas lorsque vous dépassez la limite. Une alarme sonore avertira l'utilisateur du dépassement de la limite.

Profil de programme 1-12

- Utilisez la tournez la molette pour définir pour sélectionner le programme d'entraînement, sélectionnez un des profils prédéfinis et confirmer en appuyant sur le bouton de numérotation.
- Utilisez la tournez la molette pour prédéfinir la durée de l'entraînement, Plage de réglage: 1:00 ~ 23:59:00 minutes (± 1:00)
- Appuyez sur la touche « START/STOP » pour commencer l'entraînement
- Utilisez la tournez la molette pour définir pour régler le niveau de résistance. Le profil complet sera adapté proportionnellement. Le niveau de charge est affiché dans la fenêtre « LOAD ».

En mode de profil de programme, la tension sera automatiquement ajustée à un profil prédéfini.

!! REMARQUE

- La durée de chaque segment du profil correspond à 1/20 de votre durée d'entraînement prédéfinie.
- Si aucune durée d'entraînement n'est définie, la durée de chaque segment sera de 100 mtr., et le profil sera redémarré à plusieurs reprises jusqu'à ce que vous arrêtez vous-même l'entraînement.

!! REMARQUE

- Vous trouverez un aperçu de chaque profil de programme à la section F, qui sera publiée après les dessins des étapes d'assemblage.

Contrôle du rythme cardiaque

- Utilisez la tournez la molette pour définir pour sélectionner le programme d'entraînement, sélectionnez rythme cardiaque (icône de cœur) et confirmer en appuyant sur le bouton de numérotation.
 - Utilisez la tournez la molette pour définir pour définir le rythme cardiaque cible:
 - 55% = 55% de la somme (220 moins *Âge)
 - 75% = 75% ode la somme (220 moins *Âge)
 - 90% = 90% de la somme (220 moins *Âge)
 - TA = Cible (100 par défaut)
- *Âge paramètre doit être défini dans "Définir l'utilisateur"
- confirmer en appuyant sur le bouton de numérotation.
- Lorsque TA est défini, Utilisez la tournez la molette pour définir pour définir la cible (40~200) et confirmer en appuyant sur le bouton de numérotation.
 - Utilisez la tournez la molette pour prédéfinir la durée de l'entraînement, Plage de réglage: 1:00 ~ 23:59:00 minutes (± 1:00)
 - Appuyez sur la touche « START/STOP » pour commencer l'entraînement
 - Utilisez « RESET » pour revenir au menu principal.

En mode Cardio, la tension sera automatiquement ajustée à une insensibilité où votre fréquence cardiaque atteindra la cible prédéfinie.

!! REMARQUE

- Le mode cardio nécessite un signal de fréquence cardiaque pour fonctionner.
- Le point d'interrogation et le symbole de cœur s'affichent dans la fenêtre principale lorsque le signal de fréquence cardiaque n'est pas reçu par la console pour être notifié.
- Lorsque la fréquence cardiaque est perdue pendant plus de 5 secondes, le programme se met automatiquement en mode pause.

⚠ ASTUCE RAPIDE

- Le programme « Contrôle de la fréquence cardiaque » fonctionne mieux lorsque les paramètres de l'utilisateur sont réglés correctement.

Watt control (W)

- Utilisez la tournez la molette pour définir pour sélectionner le programme d'entraînement, sélectionnez Watt Control (W) et confirmer en appuyant sur le bouton de numérotation.
- Utilisez la tournez la molette pour définir pour définir l'objectif de Watts : 100 est la valeur par défaut (10~350 ± 5) confirmer en appuyant sur le bouton de numérotation.
- Utilisez la tournez la molette pour prédéfinir la durée de l'entraînement, Plage de réglage: 1:00 ~ 23:59:00 minutes (± 1:00)
- Appuyez sur la touche « START/STOP » pour commencer l'entraînement
- Utilisez « RESET » pour revenir au menu principal.

En mode Watt, la tension sera automatiquement ajustée à une insensibilité où la valeur de Watts atteindra l'objectif prédéfini.

!! REMARQUE

- Le paramètre Watt est un calcul du nombre de rotations par minute et du niveau de tension. Plus le nombre de rotations par minute sera élevé, moins la tension sera élevée. Moins le nombre de rotations par minute sera élevé, plus la tension sera élevée.

Programme utilisateur (U)

Mode programmation de l'utilisateur.

- Un programme utilisateur sélectionné s'ouvre toujours en mode programmation.
- Utilisez la tournez la molette pour sélectionner le programme d'entraînement, Sélectionner le profil utilisateur (U), et confirmer en appuyant sur le bouton de numérotation.
 - Utilisez la tournez la molette pour pour régler le niveau de tension pour le premier segment du profil. Confirmer en appuyant sur le bouton de numérotation.
 - Faites de même pour le reste des niveaux de tension du segment de profil.

!! REMARQUE

- Chaque segment que vous programmez, et que vous confirmez en appuyant sur le bouton « Mode » est automatiquement mémorisé.
- Un programme utilisateur préprogrammé ne peut pas être effacé, mais peut être écrasé pour adapter à tout moment le profil à vos besoins.

Démarrer un programme utilisateur

- Lorsque vous êtes en mode programmation, appuyez sur le bouton MODE pendant 2 secondes à n'importe quel stade du mode programmation, pour ouvrir le mode de programmation horaire.
- Utilisez la tournez la molette pour prédéfinir la durée de l'entraînement, Plage de réglage: 1:00 ~ 23:59:00 minutes (± 1:00)
- Appuyez sur la touche « START/STOP » pour commencer l'entraînement
- Utilisez « RESET » pour revenir au menu principal.

En mode de profil Programme utilisateur, la tension sera automatiquement ajustée au profil prédéfini.

La durée de chaque segment du profil correspond à 1/8 de votre durée d'entraînement prédéfinie.

!! REMARQUE

- Il n'y a qu'un seul programme utilisateur disponible par profil utilisateur. Voir « Définir l'utilisateur »

Recovery (Récupération)

La fonction de récupération consiste à enregistrer l'état cardiaque en mesurant la vitesse de récupération de votre fréquence cardiaque en battements par minute. Plus vite votre rythme cardiaque revient à la normale, mieux vous vous portez. C'est pourquoi il est conseillé d'utiliser cette fonction directement après votre séance d'entraînement.

- La touche RECOVERY (récupération) est valide si un pouls est décelé.
- TIME (durée) affiche « 0:60 » (secondes) et compte à rebours jusqu'à 0.
- L'ordinateur affiche F1 à F6 après le compte à rebours afin de tester l'état de récupération du rythme cardiaque. Le niveau de récupération du rythme cardiaque peut être retrouvé dans le graphique ci-après.
- Appuyer à nouveau sur la touche RECOVERY (récupération) pour revenir au début.

Comment lire le résultat du test.

Le résultat est basé sur l'état de votre fréquence cardiaque. Lorsque vous êtes actif, votre fréquence cardiaque augmente en battements par minute (bpm.).

Lorsque vous terminez votre séance d'entraînement, votre rythme cardiaque se stabilise à la normale. Plus votre rythme cardiaque se stabilise rapidement, meilleure est votre condition cardiaque.

Lorsque votre fréquence cardiaque diminue d'au moins 31 bpm pendant la minute de test, votre résultat indiquera F1.

Lorsque votre fréquence cardiaque diminue de 25~30 bpm pendant la minute de test, votre résultat indiquera F2. Et ainsi de suite.

F1	Extraordinaire	31 +
F2	Excellent	25 ~ 30
F3	Bien	20 ~ 24
F4	Supérieur à la moyenne	16 ~ 19
F5	Moyenne	12 ~ 15
F6	Inférieur à la moyenne	9 ~ 11
F7	Inquiétant	6 ~ 8
F8	Faible	3 ~ 5
F9	Très faible	0 ~ 2
F0	Erreur	Erreur/ le résultat est négatif

!! REMARQUE

- Les résultats de la « Récupération » ne peuvent servir que de référence et n'ont aucune valeur médicale.
- Si votre rythme cardiaque a augmenté pendant la minute de test, il indiquera F0.

Body Fat (Masse grasse)

- Appuyer sur la touche BODY FAT (masse grasse) pour démarrer la mesure de la masse grasse.
- Pendant la mesure, les utilisateurs doivent tenir les poignées des deux mains. L'écran LCD affiche " - - - " ~ " - - - " pendant 8 secondes jusqu'à ce que l'ordinateur finisse la mesure.
- L'écran LCD affichera le BMI (IMC) et le FAT % (% de grasse) .

!! REMARQUE

- Des réglages de profil utilisateur corrects sont nécessaires pour cette fonction.

Code d'erreur du mode masse grasse

- *E-1: Aucun signal de rythme cardiaque n'est détecté.
- *E-4 : Se produit lorsque FAT% (% de masse grasse) et le résultat de BMI (indice de masse corporelle) sont inférieurs à 5 ou supérieurs à 50.

⚠ ASTUCE RAPIDE

- La fonction de mesure de la « grasse corporelle et de l'IMC » fonctionne mieux lorsque les paramètres de l'utilisateur sont correctement définis.

Bluetooth & APP

- Cette console peut être connectée à l'APP sur l'appareil intelligent via Bluetooth.
(iOS & Android)
- Établissez la connexion Bluetooth uniquement via le mode de connexion sur l'application installée sur votre périphérique intelligent.
- Une fois la console connectée à l'appareil intelligent via Bluetooth elle s'éteindra.

!! NOTE

- Tunturi vous fournit seulement la possibilité de raccorder votre console de fitness via une connexion Bluetooth. Par conséquent, Tunturi ne peut être tenu responsable des dommages ou du mauvais fonctionnement des produits autres que ceux de Tunturi.
- Consultez le site Web pour plus d'informations.

Cette console peut recevoir un émetteur de fréquence cardiaque Bluetooth. Il n'est pas nécessaire d'apparier l'appareil, car la console détectera automatiquement l'émetteur de fréquence cardiaque lorsque celui-ci est à portée.

Nettoyage et maintenance

Cet équipement ne nécessite aucune maintenance spéciale. L'équipement n'a besoin d'aucune calibration après son assemblage, son utilisation et son entretien conformément aux instructions.

⚠ AVERTISSEMENT

- Avant le nettoyage et la maintenance, retirez l'adaptateur.
 - N'utilisez aucun solvant pour nettoyer l'équipement.
 - Le nettoyage et l'entretien de l'utilisateur ne doivent pas être effectués par des enfants sans surveillance.
- Nettoyez l'équipement avec un chiffon doux et absorbant après chaque usage.
 - Vérifiez régulièrement le serrage de tous les écrous et vis.
 - Si nécessaire, lubrifiez les joints.

Défauts et dysfonctionnements

Malgré un contrôle continu de la qualité, des défauts ou des dysfonctionnements peuvent être occasionnés par des composants individuels. La plupart du temps, il vous suffit de remplacer la pièce défectueuse.

- Si l'équipement ne fonctionne pas correctement, contactez immédiatement le revendeur.
- Fournissez le numéro de modèle et le numéro de série de l'équipement au revendeur. Mentionnez la nature du problème, les conditions d'usage et la date d'achat.

Résolution des pannes :

- Vérifier si le câble est correctement connecté s'il n'y a pas de signal pendant l'entraînement.

!! NOTE

- Si l'ordinateur affiche des anomalies, débranchez l'alimentation électrique pendant 5 secondes avant de le rebrancher pour une remise à zéro.

Sensation fragile ou instable pendant l'utilisation.

Si la machine semble instable ou instable pendant le fonctionnement, il est conseillé de régler les pieds de support pour amener le cadre à la bonne hauteur. Lisez les instructions de ce manuel dans la section: "Usage"

Transport et rangement

⚠ AVERTISSEMENT

- Avant le transport et le stockage, retirez l'adaptateur.
 - Deux personnes au moins sont nécessaires pour transporter et déplacer l'équipement.
- En vous tenant devant l'équipement de chaque côté, saisissez fermement ses guidons. Levez l'avant de l'équipement pour que l'arrière repose sur les roues. Déplacez l'équipement et reposez-le prudemment. Placez l'équipement sur une base protectrice pour éviter d'endommager la surface du sol.
 - Déplacez prudemment l'équipement sur les surfaces irrégulières. Ne déplacez pas l'équipement sur ses roues pour monter des escaliers mais transportez-le par les guidons.
 - Rangez l'équipement dans un endroit sec exposé à des variations de température minimales.

Garantie

Garantie du propriétaire d'un équipement de Tunturi

Conditions de garantie

Le consommateur est protégé par la législation en vigueur concernant le commerce des biens de consommation. Cette garantie ne limite pas ces droits. La Garantie de l'acheteur n'est valide que si le produit est utilisé dans l'environnement préconisé par la société Tunturi New Fitness BV, et est conservé tel que cela est indiqué pour cet équipement donné. L'environnement approuvé spécifique au produit et les instructions d'entretien sont indiqués dans le « manuel d'utilisation » du produit. Le « manuel d'utilisation » peut être téléchargé sur notre site Web. <http://manuals.tunturi.com>

Conditions de garantie

Les conditions de garantie sont applicables à compter de la date d'achat et peuvent varier selon les pays. Demandez conseil à votre revendeur.

Étendue de la garantie

En aucun cas Tunturi New Fitness BV, le revendeur ou le distributeur Tunturi ne répondra des éventuels dommages spéciaux, indirects, secondaires ou consécutifs, de quelque nature que ce soit, liés à l'utilisation de ou à l'inaptitude à utiliser cet équipement.

Restrictions de garantie

La garantie couvre les défauts de fabrication et de matériaux dans un équipement d'origine, sorti d'usine et conditionné par Tunturi New Fitness BV. La garantie couvre uniquement les défauts apparaissant lors d'une utilisation normale et conforme aux instructions du manuel du propriétaire, à condition que les instructions de montage, de maintenance et d'utilisation établies par Tunturi New Fitness BV aient été respectées. Tunturi New Fitness BV et les revendeurs Tunturi ne répondent pas des défauts occasionnés par des conditions indépendantes de leur volonté. La garantie est applicable uniquement au premier acheteur et est valable uniquement dans les pays où Tunturi New Fitness BV dispose d'un distributeur agréé. La garantie ne s'étend pas aux équipements de fitness ou aux pièces qui ont été modifiées sans l'autorisation de Tunturi New Fitness BV. La garantie ne s'applique pas aux défauts provenant d'une usure normale, d'une utilisation inadaptée, d'une utilisation dans des conditions non prévues par le fabricant, de la corrosion ou d'un dommage intervenu lors du chargement ou du transport.

La garantie ne couvre pas les sons ou les bruits émis par l'équipement s'ils ne gênent pas son utilisation et s'ils ne sont pas provoqués par un dysfonctionnement.

La garantie ne couvre pas non plus les mesures de maintenance, telles que le nettoyage, la lubrification ou la vérification normale des pièces, ni les actions que le client peut effectuer lui-même et qui n'exigent pas particulièrement de monter/ démonter l'équipement. Ces actions sont par exemple le changement des compteurs, des pédales ou autres pièces similaires faciles à changer. Seules les réparations sous garantie effectuées par un revendeur ou par le distributeur agréé Tunturi seront prises en charge. Le non-respect des instructions décrites dans le Manuel de l'Utilisateur entraînera l'annulation de la garantie.

Données techniques

Paramètre	Unité de mesure	Valeur
Longueur	cm	120.5
	inch	47.4
Largeur	cm	59.5
	inch	23.4
Hauteur	cm	146.5
	inch	57.7
Poids	kg	37.5
	lbs	82.7
Poids maxi. utilisateur	kg	150.0
	lbs	330.0
Spécifications de sortie du transformateur	Le voltage	9V-DC
	Ampère	2.0 A
Mesure de la fréquence cardiaque disponible via:	Contact par prise en main	Oui
	5.0 KHz	Non
	5,3 kHz.	Non
	Bluetooth (BLE)	Oui
	ANT+	Non

Déclaration du fabricant

Tunturi New Fitness BV déclare que le Signature E50 Vélo vertical est conforme aux normes et directives suivantes :

- Directive RoHS (2011/65/EU)
- Règlement général sur la sécurité des produits (RGSP) – (UE) 2023/988

Par la présente, Tunturi New Fitness BV déclare que l'équipement radio de type Signature E50 Vélo vertical est conforme à la directive 2014/53/EU.

La déclaration de conformité comprenant toutes les normes et directives peut être téléchargée sur notre site web : <https://doc.tunturi.com>

Tunturi New Fitness BV
Purmerweg 1
1311 XE Almere
Pays-Bas

Limite de responsabilité

© 2025 Tunturi New Fitness BV
Tous les droits réservés.

- Le produit et le manuel sont sujets à modifications.
- Les spécifications peuvent changer sans préavis.
- Consultez notre site Web pour obtenir la dernière version du manuel d'utilisation.

Nederlands

Deze Nederlandse handleiding is een vertaling van de Engelse tekst. Aan deze vertaling kunnen geen rechten ontleend worden. De originele Engelse tekst blijft leidend.

Inhoud

Welkom	48
Veiligheidswaarschuwingen	48
Elektrische veiligheid	49
Montage instructies	49
Beschrijving afbeelding A	49
Beschrijving afbeelding B.....	49
Beschrijving afbeelding C	49
Beschrijving afbeelding D	49
Aanvullende montage-informatie	49
Aanvullende milieu informatie	50
Trainingen	50
Instructies	50
Hartslag.....	50
Gebruik	51
Afstellen van de steunvoeten.....	51
De console afstellen.....	51
Afstellen van de horizontale zadelpositie	51
Afstellen van de verticale zadelpositie.....	51
Afstellen van de handgreep.....	52
Stroom voeding.....	52
Console	52
Uitleg van de weergavefuncties	52
Uitleg van de knoppen.....	53
Bediening.....	53
Programma's	54
Gebruiker instellen	54
Manueel	54
Programma profiel 1 - 12	54
Hartslag gestuurd.....	55
Wattage gestuurd (W)	55
Gebruikersprogramma (U).....	55
Recovery (Herstel)	55
Body fat (Modus lichaamsvet)	56
Bluetooth & APP	56
Reiniging en onderhoud	56
Defecten en storingen.....	56
Transport en opslag	56
Garantie	57
Technische gegevens	57
Verklaring van de fabrikant	57
Disclaimer	57

Welkom

Welkom in de wereld van Tunturi Fitness!

Hartelijk dank voor uw aankoop van dit Tunturi-toestel. Tunturi biedt een grote verscheidenheid aan professionele toestellen zoals crosstrainers, loopbanden, fietstrainers, roeimachines, krachtbanken, multistations en accessoires. Het Tunturi-toestel is geschikt voor de hele familie, onafhankelijk van de conditie. Meer informatie vindt u op de website www.tunturi.com

Belangrijke Informatie

Deze handleiding is een essentieel onderdeel van uw trainingsapparatuur. Lees alle instructies in deze handleiding voordat u de apparatuur in gebruik neemt. De volgende voorzorgsmaatregelen moeten altijd in acht worden genomen:

Veiligheidswaarschuwingen

⚠ WAARSCHUWING

- Lees de veiligheid-waarschuwingen en de instructies. Het niet opvolgen van de veiligheid-waarschuwingen en de instructies kan persoonlijk letsel of beschadiging van het toestel veroorzaken. Bewaar de veiligheid-waarschuwingen en instructies voor toekomstig gebruik.

⚠ WAARSCHUWING

- Hartslag-bewakingssystemen kunnen onnauwkeurig zijn. Overmatig trainen kan leiden tot ernstig letsel of de dood. Als u zich duizelig voelt, stop dan onmiddellijk met trainen.
- Het toestel is uitsluitend geschikt voor huishoudelijk gebruik. Het toestel is niet geschikt voor commercieel gebruik.
- Het maximum gebruik is beperkt tot 5 uur per dag
- Dit apparaat kan worden gebruikt door kinderen vanaf 8 jaar en door personen met verminderde lichamelijke, zintuiglijke of geestelijke vermogens of met een gebrek aan ervaring en kennis, indien zij onder toezicht staan of instructies hebben gekregen over het veilige gebruik van het apparaat en indien zij begrijpen welke gevaren het apparaat met zich meebrengt.
- Kinderen moeten onder toezicht staan om ervoor te zorgen dat ze niet met het apparaat spelen.
- Laat uw gezondheid door een arts controleren voordat u met uw training begint.
- Als u misselijkheid, duizeligheid of andere abnormale symptomen ervaart, stop dan onmiddellijk met uw training en raadpleeg een arts.
- Om spierpijn en te zware belasting te voorkomen, moet u elke training beginnen met een warming-up en eindigen met een cooling-down. Vergeet niet om uw spieren te strekken aan het einde van de training.
- Het toestel is uitsluitend geschikt voor gebruik binnenshuis. Het toestel is niet geschikt voor gebruik buitenshuis.
- Gebruik het toestel alleen in een omgeving met voldoende ventilatie. Gebruik het toestel niet in een tochtige omgeving om geen kou te vatten.
- Gebruik het toestel alleen in een omgeving met een omgevingstemperatuur tussen 10°C~35°C/ 50°F~95°F. Berg het toestel alleen op bij een omgevingstemperatuur tussen 5°C~45°C/ 41°F~113°F.
- Gebruik het toestel niet in een vochtige omgeving. Berg het toestel niet op in een vochtige omgeving. De luchtvochtigheid mag nooit meer zijn dan 80%.
- Gebruik het toestel alleen voor het doel waarvoor het gemaakt is.

Gebruik het toestel niet voor andere doelstellingen dan beschreven in de handleiding.

- Gebruik het toestel niet als een onderdeel is beschadigd of niet goed werkt. Raadpleeg uw dealer als een onderdeel is beschadigd of niet goed werkt.
- Houd uw handen, voeten en andere lichaamsdelen uit de buurt van de bewegende delen.
- Houd uw haar uit de buurt van de bewegende delen.
- Draag geschikte kleding en schoenen.
- Houd kleding, sieraden en andere voorwerpen uit de buurt van de bewegende delen.
- Zorg ervoor dat het toestel slechts door één persoon tegelijk wordt gebruikt. Het toestel mag niet worden gebruikt door personen die meer dan 135 kg (300 lbs) wegen.
- Maak het toestel niet open zonder eerst uw dealer te raadplegen.

Elektrische veiligheid

- Controleer voor gebruik altijd of de netspanning gelijk is aan de spanning op het typeplaatje van het toestel.
- Gebruik geen verlengsnoer.
- Houd het snoer uit de buurt van warmte, olie en scherpe randen.
- Verander of wijzig het snoer of de stekker niet.
- Gebruik het toestel niet als het snoer of de stekker beschadigd is of niet goed werkt. Als het snoer of de stekker is beschadigd of niet goed werkt, raadpleeg dan uw dealer.
- Rol het snoer altijd helemaal uit.
- Laat het snoer niet onder het toestel door lopen. Laat het snoer niet onder een kleed door lopen. Plaats geen voorwerpen op het snoer.
- Zorg ervoor dat het snoer niet over de rand van een tafel hangt. Zorg ervoor dat niemand per ongeluk achter het snoer kan blijven haken of erover kan struikelen.
- Laat het toestel niet onbewaakt achter wanneer de stekker in het stopcontact zit.
- Trek niet aan het snoer als u de stekker uit het stopcontact wilt halen.
- Verwijder de stekker uit het stopcontact wanneer het toestel niet in gebruik is, vóór montage of demontage en vóór reiniging en onderhoud.

WAARSCHUWING

- Gebruik nooit water of andere vloeistof direct op of in de buurt van de apparatuur. Als er vocht nodig is om de machine te reinigen, maak dan alleen gebruik van een vochtige doek.
- Direct gebruik van vloeistof op de apparatuur is schadelijk voor de onderdelen en kan leiden tot een elektrische schok als gevolg van kortsluiting. Dit kan leiden tot ernstig persoonlijk letsel of zelfs de dood.
- Het apparaat mag uitsluitend worden gebruikt met de bijgeleverde stroomtransformator

Montage instructies

Beschrijving afbeelding A

De illustratie laat zien hoe de trainer er na de montage uitziet. U kunt dit als referentie gebruiken tijdens de montage, maar volg de montageschappen altijd in de juiste volgorde, zoals aangegeven op de afbeeldingen.

Beschrijving afbeelding B

De illustratie laat zien welke componenten en onderdelen er in uw pakket moeten zitten.

!! OPMERKING

- Kleine onderdelen kunnen soms enigszins verborgen verpakt zitten in holle ruimtes in het beschermende piepschuimmateriaal om het product.
- Raadpleeg uw dealer als een onderdeel ontbreekt.

Beschrijving afbeelding C

De afbeelding toont de hardwarekit die bij uw product wordt geleverd.

De hardwarekit bevat bouten, ringen, schroeven, moeren etc. en het benodigde gereedschap om uw trainer op de juiste manier te monteren.

Beschrijving afbeelding D

Op de afbeeldingen staat aangegeven in welke volgorde de trainer moet worden gemonteerd.

WAARSCHUWING

- Monteer het apparaat in de aangegeven volgorde.
- Draag en verplaats het toestel met minstens twee personen.

VOORZICHTIG

- Zet het toestel op een stevige, vlakke ondergrond.
- Zorg voor een beschermende laag onder het toestel om schade aan het vloeroppervlak te voorkomen.
- Houd rondom de apparatuur ten minste een bewegingsruimte van 100 cm.
- Raadpleeg de illustraties voor de juiste assemblage van het toestel.

Aanvullende montage-informatie

D3 Correcte montage van de pedalen

!! OPMERKING

- Wat links en rechts is, wordt bepaald vanuit de positie op de fiets.

Rechter pedaal

Kijk of er een "R"- of "L"-markering op de pedaalas staat

- Monteer het rechterpedaal "R" in de rechtercrank.
- Draai eerst de pedaalas met de hand met de klok mee.
- Gebruik de steeksleutel om het pedaal goed vast te draaien.

Linker pedaal

- Monteer het linkerpedaal "L" in de linkercrank.
- Draai eerst de pedaalas met de hand tegen de klok in.
- Gebruik de steeksleutel om het pedaal goed vast te draaien.



Klik om onze ondersteunende YouTube-video te bekijken
<https://youtu.be/3BiN9mc5Tmw?t=101>

Aanvullende informatie bij assemblage stap D4 & D5

- Sluit de kabel van het hoofdframe aan op het onderste gedeelte van de kabel in de verticale buis.
- Plaats de verticale buis over de bevestigingsbeugel van het hoofdframe. Deze beugel is al voorzien van bouten. (Wanneer u de verticale buis laat zakken, trekt u het bovenste gedeelte van de kabel voorzichtig omhoog om te voorkomen dat de kabel klem komt te zitten in de verbinding.)
- De verticale buis wordt automatisch gecentreerd. U kunt de positie van de buis echter aanpassen.
- De bouten moeten perfect zijn uitgelijnd met de gaten in de verticale buis.

!! OPMERKING

- Voorkom dat de kabel klem komt te zitten tussen de twee delen door de kabelstekker in de beugel te plaatsen.
- Draai de twee bouten aan de voorzijde vast door ze rechtsonter te draaien. Zo wordt de beugel groter en wordt de verticale buis stevig bevestigd.

- Draai eerst de bout aan de bovenzijde stevig vast.
- Draai vervolgens de onderste bout stevig vast.
- Door de onderste bout aan te draaien, verandert de positie van de verticale buis iets waardoor u de bovenste bout nog steviger kunt bevestigen.
- Herhaal deze stappen tot beide bouten stevig zijn aangedraaid en de verticale buis goed vast zit.



Klik om onze ondersteunende YouTube-video te bekijken
<https://youtu.be/3BiN9mc5Tmw?t=180>

!! LET OP

- Bewaar, nadat u het apparaat in elkaar hebt gezet, het gereedschap dat bij dit product is geleverd. Dit met het oog op service op een later tijdstip.

Aanvullende milieu informatie

Afvoeren van verpakkingsmateriaal

Overheids-richtlijnen geven aan dat we de hoeveelheid afvalmateriaal afgevoerd naar stortplaatsen moeten verminderen. Daarom vragen we u al het afvalmateriaal op verantwoordelijke wijze af te voeren naar openbare recycling-centra.

Verwijdering aan het eind van de levensduur.

We hopen dat u jarenlang plezier hebt van uw fitnessapparaat. Er komt echter een moment waarop het fitnessapparaat het eind van de bruikbare levensduur heeft bereikt. Onder de Europese AEEA-wetgeving bent u verantwoordelijk voor het op de juiste wijze afvoeren van uw fitnessapparaat naar een erkend openbaar inzamelpunt.

Trainingen

De training moet licht genoeg zijn, maar wel langdurig. Aerobische training is gebaseerd op verbetering van de maximale zuurstofopname van het lichaam, die dan het uithoudingsvermogen en de conditie weer verbetert. U moet tijdens de training wel transpireren, maar u mag niet buiten adem raken. Voor het bereiken en in stand houden van een basisconditie moet u minstens drie keer per week steeds 30 minuten trainen. Verhoog het aantal trainingssessies ter verbetering van uw conditie. Het is de moeite waard om regelmatige lichaamsbeweging met gezonde voeding te combineren. Iemand die zich goed aan een dieet houdt, zou elke dag moeten trainen te beginnen met 30 minuten of korter, en de dagelijkse trainingduur geleidelijk opvoeren tot één uur. Begin uw training bij een lage snelheid en een lage weerstand om te voorkomen dat uw hart en bloedvaten te sterk belast worden. Naarmate uw conditie verbetert, kunnen snelheid en weerstand geleidelijk worden verhoogd. De doelmatigheid van uw training kan worden gemeten door uw hartslag.

Instructies

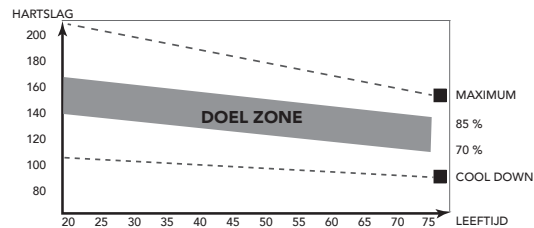
Het gebruik van dit fitness apparaat biedt meerdere voordelen: u verbetert uw fysieke conditie, u versterkt uw spieren en u valt in combinatie met een caloriearm dieet af.

De warming-up

In deze fase wordt uw bloedsomloop gestimuleerd voor een juiste werking van de spieren. Tevens wordt het risico op kramp en spierletsel verminderd. Wij raden u aan enkele stretch oefeningen te doen, zoals hieronder beschreven. Houd elke stretch oefening ongeveer 30 seconden vol. Forceer uw spieren niet bij het stretchen. STOP als het pijn doet

De training fase

Dit is de fase waarin u de meeste inspanning levert. Na regelmatig gebruik worden de spieren in uw benen flexibeler. Het is in deze fase zeer belangrijk dat u een gelijkmatig tempo aanhoudt. De snelheid moet voldoende zijn om uw hartslag te laten stijgen naar de doelzone die in de onderstaande grafiek te zien is.



Deze fase moet minimaal 12 minuten duren, maar de meeste mensen beginnen met ongeveer 15-20 minuten.

De cooling down

In deze fase ontspant u uw cardiovasculaire systeem en spieren. Dit is een herhaling van de warming-uptraining. Verlaag dus uw tempo en ga ongeveer 5 minuten door. Herhaal nu de stretch-oefeningen. Forceer uw spieren niet tijdens het stretchen. Naarmate u fitter wordt, moet u langer en harder trainen. Het is raadzaam minstens drie keer per week te trainen en zo nodig uw oefeningen gelijkmatig over de week te verspreiden.

Spierversteviging

Als u uw spieren wilt verstevigen met behulp van dit fitnessapparaat, stelt u de weerstand in op hoog. Zo komt er meer spanning op uw beenspieren. Mogelijk kunt u niet zo lang trainen als u zou willen. Als u ook uw conditie wilt verbeteren, moet u het trainingsprogramma aanpassen. Tijdens de warming-up en cooling-down traint u zoals normaal, maar tegen het eind van de trainingsfase verhoogt u de weerstand zodat uw benen harder moeten werken. Verlaag hierbij de snelheid zodat uw hartslag in de doelzone blijft.

Gewichtverlies

Hierbij is het van belang hoeveel inspanning u levert. Hoe harder en langer u werkt, hoe meer calorieën u verbrandt. In feite is dit hetzelfde als wanneer u zou trainen om uw conditie te verbeteren. Het doel is alleen anders.

Hartslag

Hartslagmeting (handgreepsensoren)

De hartslag wordt gemeten door sensoren in de handgrepen wanneer de gebruiker beide sensoren tegelijkertijd aanraakt. Voor de meest nauwkeurige hartslagmeting moet de huid enigszins vochtig zijn en moet u de handgreepsensoren voortdurend aanraken. Bij een te droge of te vochtige huid kan de hartslagmeting minder nauwkeurig worden.

!! LET OP

- Gebruik de handgreepsensoren niet in combinatie met een hartslagborstband.
- Als u een hartslag-limiet hebt ingesteld voor uw training, klinkt er een alarm wanneer deze wordt overschreden.

Hartslagmeting (hartslagborstband)

!! LET OP

- Een hartslagborstband is niet standaard bij deze trainer mee geleverd. Als u een hartslagborstband wilt gebruiken, zult u deze als accessoire moeten aanschaffen.

De meest nauwkeurige hartslagmeting wordt bereikt met een hartslagborstband. De artslag wordt gemeten met een hartslagontvanger in combinatie met een band die de hartslag verzendt. Voor een nauwkeurige hartslagmeting moeten de elektroden op de borstband enigszins vochtig zijn en de huid constant aanraken. Bij te droge of te natte elektroden kan de hartslagmeting minder nauwkeurig worden.

⚠ WAARSCHUWING

- Als u een pacemaker hebt, moet u het eerst met uw dokter bespreken voordat u een hartslagborstband gebruikt.

⚠ VOORZICHTIG

- Als er verscheidene hartslagmeetapparaten naast elkaar staan, zorg er dan voor dat de tussenafstand minstens 2 meter is.
- Als er slechts één hartslagontvanger en verscheidene hartslagzenders zijn, zorg dan dat er slechts één persoon met een zender in het zendbereik is.

!! LET OP

- Gebruik de hartslagborstband niet in combinatie met de handgreepsensoren.
- Draag de hartslagborstband altijd onder uw kleding, direct op uw huid. Draag de hartslagborstband niet boven uw kleding. Als u de hartslagborstband boven uw kleding draagt, zal er geen signaal komen.
- Als u een hartslaglimiet hebt ingesteld voor uw training, klinkt er een alarm wanneer deze wordt overschreden.
- De zender verzendt de hartslag naar de console tot over een afstand van 1,5 meter. Als de elektroden niet vochtig zijn, verschijnt de hartslag niet op de display.
- Sommige vezels in kleding (bijv. polyester, polyamide) produceren statische elektriciteit die een nauwkeurige hartslagmeting kan hinderen.
- Mobiele telefoons, televisies en andere elektrische apparaten creëren een elektromagnetisch veld dat een nauwkeurige hartslagmeting kan hinderen.

Maximale hartslag (tijdens de training)

De maximale hartslag is de hoogste hartslag die iemand veilig kan bereiken door de belasting van de training. De volgende formule wordt gebruikt voor het berekenen van de gemiddelde maximale hartslag: $220 - \text{LEEFTIJD}$. De maximale hartslag varieert van persoon tot persoon.

⚠ WAARSCHUWING

- Zorg ervoor dat u tijdens uw training niet boven uw maximale hartslag komt. Als u bij een risicogroep hoort, moet u een arts raadplegen.

Beginner

50-60% van de maximale hartslag

Geschikt voor beginners, mensen die willen afvallen, herstellende patiënten en personen die lange tijd niet getraind hebben. Train minstens drie keer per week, 30 minuten per keer.

Gevorderd

60-70% van de maximale hartslag

Geschikt voor personen die hun conditie willen verbeteren en in stand houden. Train minstens drie keer per week, 30 minuten per keer.

Expert

70-80% van de maximale hartslag

Geschikt voor de fitste personen die gewend zijn aan langdurige duurtraining.

Gebruik

Afstellen van de steunvoeten

De apparatuur is uitgerust met verstelbare steunvoeten.

Als de apparatuur onstabiel aanvoelt, wiebelt, of niet goed waterpas staat, kan dit worden gecorrigeerd door de steunvoeten af te stellen.

- Draai de steunvoeten naar wens naar binnen of naar buiten om de apparatuur in een stabiele en zo vlak mogelijke stand te zetten.
- Draai de borgmoeren* vast om de steunvoeten te vergrendelen.

!! OPMERKING

- De apparatuur is het meest stabiel wanneer deze zo laag mogelijk bij de grond staat. Begin daarom met het waterpas zetten van de uitrusting door alle steunvoeten volledig naar binnen te draaien, alvorens de vereiste steunvoeten naar buiten te draaien om de uitrusting te stabiliseren en waterpas te zetten.



Klik om onze ondersteunende YouTube-video te bekijken
<https://youtu.be/3BiN9mc5Tmw?t=535>

De console afstellen

De kijkhoek van de console kan worden aangepast aan de lengte en de trainingshouding van de gebruiker.

- U kunt de console op iedere gewenste positie stellen zonder dat u deze voor het verstellen hoeft los te maken.
- De consolehouderbeugel is een autofixsysteem.

!! OPMERKING

- Als de console niet goed in de gewenste positie blijft staan, kunt u het fixsysteem gemakkelijk strakker zetten.
- Verwijder de ronde eindkappen van het draaipunt en draai de onderliggende schroeven zo strak aan als u ze hebben wilt, zodat de console stevig blijft staan, maar niet zo strak dat de kijkhoek niet meer kan worden aangepast.

Afstellen van de horizontale zadelpositie

De horizontale zadelpositie kan worden afgesteld door het zadel in de gewenste positie te zetten.

- Draai de stelknop voor het zadel los.
- Zet het zadel in de gewenste positie.
- Draai de stelknop voor het zadel vast.

Afstellen van de verticale zadelpositie

De verticale zadelpositie kan worden afgesteld door de zadelpen in de gewenste positie te zetten. Met een bijna gestrekte been moet de boog van de voet het pedaal op zijn laagste punt raken.t.

- Draai de stelknop voor de zadelpen los.
- Zet de zadelpen in de gewenste positie.
- Draai de stelknop voor de zadelpen vast.



Klik om onze ondersteunende YouTube-video te bekijken
<https://youtu.be/3BiN9mc5Tmw?t=486>

Afstellen van de handgreep

De handgreep kan worden afgesteld naar de lengte en de trainingspositie van de gebruiker.

- Draai de stelknop voor de handgreep los.
- Zet de handgreep in de gewenste positie.
- Draai de stelknop voor de handgreep vast.

!! OPMERKING

- De stuurverstellhendel heeft een veerbelast systeem waardoor u de hendel gemakkelijk in elke gewenste positie kunt zetten nadat u het stuur hebt bevestigd.
- Trek de hendel naar buiten terwijl u met uw duim op de middelste knop drukt om hem vrij te bewegen. Laat los om de fixeer-/ontgrendelfunctie weer te activeren.

Stroom voeding

De trainer werkt op stroom van een extern voedingsnet. Op de illustratie wordt de plaats van de aansluiting op de trainer weergegeven. (Fig. E)

!! LET OP

- Sluit de adapter eerst aan op de trainer voordat u deze aansluit op de wandcontactdoos.
- Verwijder altijd de stroomkabel wanneer de trainer niet in gebruik is.

Console



1. Display
2. Steun voor tablet/boek
3. Knoppen
4. USB-oplaadpoort

⚠ VOORZICHTIG

- Houd de console uit de buurt van direct zonlicht.
- Droog het oppervlak van de console wanneer het met zweetdruppels is bedekt.
- Leun niet op de console.
- Raak de display alleen met uw vingertop aan. Raak de display niet aan met uw nagels of een scherp voorwerp.

!! LET OP

- De console gaat naar standby wanneer het toestel gedurende 4 minuten niet wordt gebruikt.

Uitleg van de weergavefuncties

Time (Tijd)

- Wanneer u geen doelwaarde instelt, wordt de tijd opgeteld.
- Wanneer u wel een doelwaarde instelt, wordt de tijd terug geteld vanaf de doelwaarde. Zodra het aantal op 0 komt, hoort u een alarm of gaat het display knipperen. De tijd wordt verder opgeteld als u niet stopt met trainen nadat het doel is bereikt.
- Weergavebereik: 00:00:00 ~ 23:59:59.

Het extra tijdsdisplay (onder de tablethouder) laat hetzelfde zien als het tijdsvenster, maar toont alleen minuten en seconden.

Speed

- Hier ziet u de huidige snelheid.
- Weergavebereik: 0.0 ~ 99.9 km/h.
- Wanneer tijdens de workout gedurende 4 seconden geen signaal naar de monitor wordt verzonden, staat SPEED op '0.0'.

Het extra snelheidsdisplay (onder de tablethouder) laat hetzelfde zien als het snelheidsvenster.

RPM

- Weergave van de rotaties per minuut
- Weergavebereik: 0 - 15 ~ 999 RPM.
- Wanneer tijdens de workout gedurende 4 seconden geen signaal naar de monitor wordt verzonden, staat RPM op '0'.

Watt

- Weergave van de huidige workoutwatt.
- Weergavebereik: 0 ~ 999 Watt.

- ▲ Het symbool wordt weergegeven in het Level-venster wanneer het ingestelde Watt-niveau lager is dan het huidige gerealiseerde niveau. U trapt te snel, of het ingestelde doelniveau is te laag.
- ▼ Het symbool wordt weergegeven in het Level-venster wanneer het ingestelde Watt-niveau hoger is dan het huidige gerealiseerde niveau. U trapt te langzaam, of het ingestelde doelniveau is te hoog.

Level

- Toont de instelling van het weerstand nivo bij het instellen van de weerstand voor de duur van 3 seconden.
- Wanneer u traint met een voorgeprogrammeerd profiel, knippert er 3 seconden voordat het spanningsniveau omhoog gaat het ▲ symbool in het Level-venster, om u te waarschuwen voor een komende spanningsverhoging nadat het profiel is afgerond.
- Wanneer u traint met een voorgeprogrammeerd profiel, knippert er 3 seconden voordat het spanningsniveau omlaag gaat het ▼ symbool in het Level-venster, om u te waarschuwen voor een komende spanningsverlaging nadat het profiel is afgerond.

!! OPMERKING

- Als er geen tijddoel is ingesteld, geven de symbolen pijl omhoog/omlaag geen melding van de weerstands aanpassing 3 seconden voordat de weerstand verandert.

Distance (Afstand)

- Wanneer u geen doelwaarde instelt, wordt de afstand opgeteld.
- Wanneer u wel een doelwaarde instelt, wordt de afstand terug geteld vanaf de doelwaarde. Zodra het aantal op 0 komt, hoort u een alarm of gaat het display knipperen. De afstand wordt verder opgeteld als u niet stopt met trainen nadat het doel is bereikt.
- Weergavebereik: 0.00 ~ 99.99 KM.

Het extra afstandsdisplay (onder de tablethouder) laat hetzelfde zien als het afstandsvenster.

Calories

- Wanneer u geen doelwaarde instelt, wordt het aantal verbruikte calorieën opgeteld.
- Wanneer u wel een doelwaarde instelt, wordt het aantal calorieën terug geteld vanaf de doelwaarde. Zodra het aantal op 0 komt, hoort u een alarm of gaat het display knipperen.
Het aantal calorieën wordt verder geteld als u niet stopt met trainen nadat het doel is bereikt.
- Weergavebereik: 0 ~ 999 calorieën.

!! LET OP

- Deze gegevens zijn een richtlijn voor de vergelijking van verschillende trainingssessies en kunnen niet voor medische behandelingen worden gebruikt.

Pulse

- Wanneer uw hartslag door de console wordt geregistreerd, ziet u na 6 seconden uw huidige hartslag.
- Wanneer gedurende 6 seconden geen hartslagsignaal wordt geregistreerd, wordt 'P' weergegeven.
- U hoort een hartslagalarm als uw huidige hartslag de ingestelde hartslag overschrijdt.
- Weergavebereik: 0 - 40 ~ 200 BPM

!! OPMERKING

- Het rode hartslagpictogram knippert als er een hartslag wordt ontvangen. Het duurt een paar seconden voordat de hartslag als getal wordt weergegeven omdat er een gemiddelde moet worden berekend.
- De gemeten waarde kan niet worden gebruikt als medische basis.

Het extra Pulse-display (onder de tablethouder) laat hetzelfde zien als het Pulse-venster.

4-kleurige hartslagzonedisplay.

De 4-kleurige hartslagdisplay toont uw hartslagzone op basis van de door de gebruiker ingestelde leeftijd in percentages.

De berekening is als volgt.

Meet HR gedeeld door Max. HR, vermenigvuldig de uitkomst met 100.

Maximale hartslag voor mannen (220 - Leeftijd)

Maximale hartslag voor vrouwen (226 - Leeftijd)

BAI™

- Weergave van de BAI-meting en de BAI-waarde tijdens de training.
- Weergavebereik 0-999

!! OPMERKING

- De BAI (Body Activity Index) is het overzicht van het effectieve trainingsvolume.
- Trainingsvolume = trainingsintensiteit x trainingstijd.

De BAI berekent het effectieve trainingsvolume op basis van uw hartslag, leeftijd en sekse, en de duur van de training.

Tijdens de training kunt u zien hoe de BAI oploopt. Zodra u een trainingssessie voltooit, kunt u het totale aantal BAI-punten zien, het totale effectieve trainingsvolume van deze sessie.

Als u harder traint, met een hogere hartslag, krijgt u sneller BAI-punten. Als u minder hard traint, met een lagere hartslag, krijgt u minder snel BAI-punten.

We raden u aan om elke week zodanig te trainen dat u 100 BAI-punten hoger komt, om zo uw cardiocapaciteit te verbeteren.

Centraal display

- De bovenste rij toont de programmaprofielen.
- De rechterbovenhoek toont de geselecteerde gebruiker (U1, U2, U3, U4)
- Op het onderste stip-display wordt de intensiteitscurve van het programmaprofiel grafisch weergegeven.
* indien spanningsgestuurd: Elke stip vertegenwoordigt 2 spanningsniveaus.
* In HRC-modus: Elke stip vertegenwoordigt een spanningsniveau alsof het spanningsgestuurd is.
* In Watt-modus: Elke stip vertegenwoordigt een spanningsniveau alsof het spanningsgestuurd is.

Uitleg van de knoppen

Draai de draaiknop met de klok mee (omhoog)

- Verhoog de weerstandswaarde tijdens training.
- Draai het keuzewiel naar rechts om de waarde te verhogen.

Draai de draaiknop tegen de klok in (omlaag)

- Verlaag de weerstandswaarde tijdens training.
- Draai het keuzewiel naar links om de waarde te verlagen.

Druk op de draaiknop (modus/ invoeren)

- U bevestigt de instelling of selectie.
- Stop de scan-functie van het display en zet de huidige parameter vast in het centrale display als het toestel in de trainingsmodus staat.
- Ga naar de volgende parameter als het display in de modus Vaste weergave staat.

!! OPMERKING

- Wanneer de scanmodus is gestopt door het vastzetten van een specifieke parameter, kan de 'scan-functie' pas weer worden geactiveerd als u snel tweemaal op 'Start/ Stop' drukt. De training wordt nu snel wordt gepauzeerd en begint opnieuw.

Reset

- Druk in de modus Instellingen eenmaal op de toets RESET om de huidige functiegetallen te resetten.
- Houd RESET 3 seconden ingedrukt om alle functiegetallen te resetten

Start/ Stop

- Start of Stop (pauzeer) training

Body Fat

- Test van lichaamsvetpercentage en BMI.

Recovery

- Nadat de console het pulse-signaal registreert, drukt u op de toets RECOVERY om de modus te activeren waarin u uw hartslagerstel kunt volgen

Bediening

Inschakelen

- Steek de stekker in het stopcontact.
De computer start op en toont gedurende 2 seconden alle onderdelen op het LCD-scherm.
- Wanneer het apparaat zich in de slaapmodus bevindt, drukt u op een willekeurige toets op de console om het apparaat in te schakelen.
- U kunt ook gaan fietsen om het apparaat te activeren.

!! OPMERKING

- De console schakelt over naar de slaapmodus als het toestel 4 minuten niet wordt gebruikt.

Slaapmodus

Wanneer de console in de slaapstand staat, zijn alle informatievensters donker, alsof de console uit staat.

Uitschakelen

- Om het toestel uit te schakelen moet het worden losgekoppeld van de stroombron.

Training kiezen

Met de draaiknop functie kunt u het volgende selecteren:

M	Manueel
P1 ~ P12	Programma profiel 1 ~ 12
♥	Hartslag gestuurd
W	Wattage gestuurd
U	Gebruikersprogramma

USB functie

De gebruiker kan zijn apparaat aansluiten om deze op te laden tijdens het train.

Spanning/ stroom: 5VDC/ 1.0 Amp

Programma's

Snelle start

- Druk op START/ STOP om de training te beginnen zonder voorgeprogrammeerde instellingen.
- Met de draaiknop functie kunt u het weerstandsniveau aanpassen tijdens de training.

Training beëindigen

- Druk op START/STOP in de trainingsmodus om de training te stoppen of te pauzeren.
Als u de training wilt hervatten, drukt u op START/ STOP in de pauzmodus.
- Druk op RESET (in de pauzmodus) om alle trainingsgegevens opnieuw in te stellen.
- Houd RESET 3 seconden ingedrukt om de console opnieuw in te stellen. (Gegevens van de actieve training gaan dan verloren)

⚠ SNELLE TIP

- Wanneer het toestel in de Pauze-modus staat, kunt u de 'draaiknop' gebruiken om de ingestelde doelen aan te passen.
- Druk op de draaiknop om te selecteren: Tijd/ Afstand/ Calorieën en/of Hartslag.
- Draai aan de draaiknop om het gewenste doel in te stellen, en druk indien gewenst op draaiknop om de eerstvolgende parameter te selecteren en ook hier een instelling voor in te geven, of druk op 'Start/ Stop' om de training te hervatten.

Gebruiker instellen

Een gebruiker kan worden geselecteerd wanneer de console in de opstartmodus staat.

Houd "RESET" langer dan 3 seconden ingedrukt om de console opnieuw te starten en naar de opstartmodus te gaan.

U ziet "U1" knipperen (of de laatst geselecteerde gebruiker U1~U4).

- Selecteer gebruiker, gebruik draaiknop om U1~U4 te selecteren, en druk op de draaiknop op uw keuze te bevestigen.
- Selecteer geslacht, gebruik draaiknop om ♂ (Man)/ ♀ (Vrouw) te selecteren, en druk op de draaiknop op uw keuze te bevestigen.
- Selecteer leeftijd (A), gebruik draaiknop om uw leeftijd in te geven. Instelbereik: 1 ~ 99 (±1), en druk op de draaiknop op uw keuze te bevestigen.

- Selecteer lengte (H), gebruik draaiknop om te selecteren. Instelbereik: 100~200 cm (±1), en druk op de draaiknop op uw keuze te bevestigen.
- Selecteer gewicht (W), gebruik draaiknop om te selecteren. Instelbereik: 20~150 kg (±1), en druk op de draaiknop op uw keuze te bevestigen.

!! OPMERKING

- Het instellen van correcte gebruikersparameters is vereist voor het:
 1. Correct functioneren van het hartslagdoelprogramma.
 2. Correct meten van lichaamsvet en BMI.
- Het selecteren van een gebruiker bepaalt welke gebruikersprogramma's worden geladen. Zie het kopje "Gebruikersprogramma"

Manueel

- Met de keuzeknop Up/ Down selecteert u het trainingsprogramma. Selecteer M (handmatig) en druk op de draaiknop op uw keuze te bevestigen.
- Gebruik de draaiknop functie om de trainingstijd vooraf in te stellen,
Instelbereik: 1:00 ~ 23:59:00 minutes (± 1:00),
Druk op de draaiknop op uw keuze te bevestigen
- Gebruik de draaiknop functie om de trainingsafstand vooraf in te stellen,
Instelbereik: 0.10 ~ 99.90 Km. (± 0.10),
Druk op de draaiknop op uw keuze te bevestigen
- Met de keuzeknop Up/ Down stelt u het voorgeprogrammeerde aantal calorieën in,
Instelbereik: 10 ~9990 Cal. (± 10),
druk op de draaiknop op uw keuze te bevestigen.
- Met de keuzeknop Up/ Down stelt u een limiet in voor uw hartslag,
Instelbereik: 40 ~200 BPM (± 1),
druk op de draaiknop op uw keuze te bevestigen.
- Druk op START/STOP om de training te starten
- Met de functie van de draaiknop kunt u het weerstandsniveau aanpassen. In het venster LEVEL ziet u het belastingsniveau.

!! OPMERKING

- Als u meerdere doelen instelt, wordt de training beëindigd wanneer het eerste doel is bereikt.
- Als u een doel leeg laat, wordt dit niet beschouwd als een voorgeprogrammeerde limiet.
- Als u een limiet voor uw hartslag instelt, stopt de training niet wanneer de ingestelde limiet wordt overschreden. U hoort wel een waarschuwingssignaal bij het overschrijden van de limiet.

Programma profiel 1 - 12

- Met de keuzeknop Up/ Down selecteert u het trainingsprogramma. Selecteer een van de voorgeprogrammeerde profielen en druk op de draaiknop op uw keuze te bevestigen.
- Gebruik de draaiknop functie om de trainingstijd vooraf in te stellen,
Instelbereik: 1:00 ~ 23:59:00 minuten (± 1:00)
- Druk op START/STOP om de training te starten
- Met de functie van de draaiknop kunt u het weerstandsniveau aanpassen.
Het volledige profiel wordt hierop in gelijkwaardige verhoging aangepast.
In het venster LEVEL ziet u het belastingsniveau.

In de programmaprofielmodus wordt de spanning automatisch aangepast aan een voorgeprogrammeerd profiel.

!! OPMERKING

- De duur van elk deel in het profiel is 1/20 van uw voorgeprogrammeerde trainingstijd.
- Als u geen trainingstijd hebt ingesteld, duurt elk deel 100 mtr. Het profiel start telkens opnieuw totdat u zelf de training beëindigt.

!! OPMERKING

- Een overzicht van elk programmaprofiel vindt u in sectie F, te vinden na de tekeningen van de montagestappen.

Hartslag gestuurd

- Met de keuzeknop Up/ Down selecteert u het trainingsprogramma. Selecteer HRC (hartpictogram) en druk op de draaiknop op uw keuze te bevestigen.
- Met de draaiknop functie stelt u het HRC-doel in:
 - 55% = 55% van de som (220 minus *Leeftijd)
 - 75% = 75% van de som (220 minus *Leeftijd)
 - 90% = 90% van de som (220 minus *Leeftijd)
 - TA = Doel (standaard 100)

*Leeftijd parameter moet worden ingesteld in "Gebruiker instellen"

- druk op de draaiknop op uw keuze te bevestigen.
- Wanneer u TA hebt ingesteld, kunt u met de keuzeknop Up/ Down het doel instellen (40~200), druk op de draaiknop op uw keuze te bevestigen.
- Gebruik de draaiknop functie om de trainingstijd vooraf in te stellen, Instelbereik: 1:00 ~ 23:59:00 minuten (± 1:00)
- Druk op START/STOP om de training te starten
- Druk op RESET om terug te keren naar het hoofdmenu.

In de cardiomodus wordt de spanning automatisch aangepast aan een ongevoeligheid wanneer uw hartslag het voorgeprogrammeerde HRC-doel bereikt.

!! OPMERKING

- Om de Cardio-modus te kunnen gebruiken, is een hartslagsignaal nodig.
- In het hoofdvenster wordt een vraagteken en een hartsymbool getoond als waarschuwing wanneer het hartslagsignaal niet door de console wordt ontvangen.
- Als de hartslag gedurende meer dan 5 seconden wegvalt, schakelt het programma automatisch over naar de pauzmodus.

SNELLE TIP

- Het programma "Hartslagcontrole" werkt het best wanneer de gebruikersinstellingen correct zijn ingesteld.

Wattage gestuurd (W)

- Met de draaiknop functie selecteert u het trainingsprogramma. Selecteer wattcontrole (W) en druk op de draaiknop op uw keuze te bevestigen.
- Met de draaiknop functie stelt u het wattdoel in: 100 is de voorgeprogrammeerde standaardwaarde (10~350 ± 5) druk op de draaiknop op uw keuze te bevestigen.
- Gebruik de draaiknop functie om de trainingstijd vooraf in te stellen, Instelbereik: 1:00 ~ 23:59:00 minuten (± 1:00)
- Druk op START/STOP om de training te starten
- Druk op RESET om terug te keren naar het hoofdmenu.

In de wattmodus wordt de spanning automatisch aangepast aan een ongevoeligheid wanneer het wattage het voorgeprogrammeerde wattdoel bereikt.

!! OPMERKING

- De wattparameter is een berekening van RPM (rotaties per minuut) en het spanningsniveau. Wanneer RPM hoger is, is de spanning lager. Wanneer RPM lager is, is de spanning hoger.

Gebruikersprogramma (U)

Gebruikersprogrammaermodus (U)

Een geselecteerd gebruikersprogramma opent altijd in de programmeermodus.

- Met de draaiknop functie selecteert u het trainingsprogramma en het gebruikersprofiel (U), druk op de draaiknop op uw keuze te bevestigen.
- Gebruik de draaiknop functie om het spanningsniveau in te stellen voor het eerste profielsegment. Druk op de draaiknop op uw keuze te bevestigen.
- Stel het spanningsniveau voor de overige profielsegmenten op dezelfde manier in.

!! OPMERKING

- Elk segment dat u instelt en bevestigt door op de MODE-knop te drukken, wordt automatisch opgeslagen.
- Een voorgeprogrammeerd gebruikersprogramma kan niet worden gewist, maar kan worden overschreven om het profiel steeds aan uw behoeften aan te passen.

Een gebruikersprogramma starten

- Wanneer u in de programmeermodus bent, houdt u in elk stadium van de programmeermodus de MODE-knop 2 seconden ingedrukt om de tijdprogrammeermodus te openen.
- Gebruik de draaiknop functie om de trainingstijd vooraf in te stellen, Instelbereik: 1:00 ~ 23:59:00 minuten (± 1:00)
- Druk op START/STOP om de training te starten
- Druk op RESET om terug te keren naar het hoofdmenu.

In de gebruikersprofielmodus wordt de spanning automatisch aangepast aan het voorgeprogrammeerde profiel.

De duur van elk segment in het profiel is 1/8 van uw voorgeprogrammeerde trainingstijd.

!! OPMERKING

- Er is slechts 1 gebruikersprogramma beschikbaar per gebruikersprofiel. Zie "Gebruiker instellen"

Recovery (Herstel)

De herstel functie registreert de hart conditie door de herstel-snelheid van uw hartslag in slagen per minuut te meten. Hoe sneller uw hartslag naar normaal daalt, hoe beter uw conditie. U kunt daarom deze functie het beste direct na de training gebruiken.

- De toets RECOVERY werkt alleen als een hartslag wordt geregistreerd.
- Bij TIME wordt '0:60' (seconden) weergegeven; er wordt terug geteld naar 0.
- Na het aftellen om de status van het hartslag-herstel te testen, wordt op de computer F1 tot en met F6 weergegeven. De gebruiker kan het hartslag-herstel niveau vinden in de onderstaande tabel.

- Druk opnieuw op de toets RECOVERY om terug te keren naar het begin.

Interpretatie van het testresultaat.

Het resultaat is gebaseerd op de conditie van uw hartslag. Als u actief bent, stijgt uw hartslag in slagen per minuut (bpm.).

Wanneer u uw training beëindigt, stabiliseert uw hartslag zich weer tot het normale niveau. Hoe sneller uw hartslag zich stabiliseert, hoe beter de conditie van uw hart.

Wanneer uw hartslag met minimaal 31 slagen per test-minuut daalt, dan is uw resultaat F1.

Wanneer uw hartslag tijdens de test-minuut tussen de 25~30 slagen per test-minuut daalt, dan is uw resultaat F2. Enzovoort.

F1	Uitmuntend	31 +
F2	Uitstekend	25 ~ 30
F3	Goed	20 ~ 24
F4	Boven gemiddeld	16 ~ 19
F5	Gemiddeld	12 ~ 15
F6	Ondermaats	9 ~ 11
F7	Zorgelijk	6 ~ 8
F8	Slecht	3 ~ 5
F9	Zeer slecht	0 ~ 2
F0	Fout	Fout/resultaat is minus

!! OPMERKING

- De "Herstel"-resultaat gegevens kunnen alleen worden gebruikt als persoonlijke referentie, en hebben geen medische waarde.
- Als uw hartslag tijdens de test-minuut is gestegen, dan wordt F0 weergegeven.

Body fat (Modus lichaamsvet)

- Druk op de toets BODY FAT om te beginnen met de meting van het lichaamsvetpercentage.
- Tijdens de meting moet de gebruiker met beide handen de handgrepen vasthouden. Op het LCD-display wordt gedurende 8 seconden "----"~"----" weergegeven, totdat de computer de meting heeft afgerond.
- Op het LCD-display worden BMI en vetpercentage weergegeven.

!! OPMERKING

- Voor deze functie moet het gebruikersprofiel correct zijn ingesteld.

Foutmeldingen in de modus Body Fat

- *E-1: Er wordt geen hartslagsignaal geregistreerd.
- *E-4 : Treedt op wanneer het vetpercentage en het BMI-resultaat lager is dan 5 of hoger is dan 50.

! SNELLE TIP

- De meetfunctie "Lichaamsvet & BMI" werkt het best wanneer de gebruikersinstellingen correct zijn ingesteld.

Bluetooth & APP

- U kunt deze console via Bluetooth verbinden met een App op uw smart-apparaat. (iOS & Android)
- Breng de Bluetooth-verbinding alleen tot stand via de verbindingmodus op de geïnstalleerde APP op uw smart-apparaat.
- Wanneer de Bluetooth-verbinding tussen APP en console tot stand is gebracht, wordt het display van de console grijs weergegeven alsof deze zich in de standby-modus bevindt.

!! LET OP

- Tunturi biedt uitsluitend de mogelijkheid om uw fitnessconsole via een bluetooth-verbinding aan een smart-apparaat te koppelen. Tunturi kan daarom niet aansprakelijk worden gesteld voor schade of gebreken aan producten die niet door Tunturi worden geproduceerd.
- Raadpleeg de website voor extra informatie.

Deze console kan een Bluetooth-hartslagzender ontvangen. Het is niet nodig om het apparaat te koppelen, omdat de console de hartslagzender automatisch detecteert wanneer deze binnen bereik is.

Reiniging en onderhoud

Het toestel vereist geen speciaal onderhoud. Het toestel heeft geen kalibratie wanneer het wordt geassembleerd, gebruikt en onderhouden overeenkomstig de instructies.

! WAARSCHUWING

- Verwijder voor reiniging of onderhoud de adapter.
 - Gebruik geen oplosmiddelen om het toestel te reinigen.
 - Reiniging en gebruikersonderhoud mag niet door kinderen worden uitgevoerd zonder toezicht.
- Reinig het toestel na elk gebruik met een zachte absorberende doek.
 - Controleer regelmatig of alle schroeven en moeren goed vast zitten.
 - Smeer indien nodig de draaipunten.

Defecten en storingen

Ondanks voortdurende kwaliteitscontrole kan het gebeuren dat het toestel door individuele onderdelen defect is of niet goed werkt. In de meeste gevallen zal het voldoende zijn om het defecte onderdeel te vervangen.

- Als het toestel niet goed werkt, neem dan onmiddellijk contact op met de dealer.
- Geef het modelnummer en serienummer van het toestel op aan de dealer. Vertel wat de aard van het probleem is, hoe het toestel wordt gebruikt en wanneer u het toestel heeft gekocht.

Problemen oplossen

- Als er geen signaal is wanneer u traint, controleer dan of de kabel goed is aangesloten.

!! LET OP

- Wanneer de computer weergave niet normaal is, installeert u de transformator opnieuw en probeert u het nogmaals.

Wankel of onstabiel gevoel tijdens gebruik

Als de machine tijdens bedrijf onstabiel of onstabiel aanvoelt, is het raadzaam om de steunvoeten aan te passen om het frame op de juiste hoogte te brengen. Lees de instructies in deze handleiding in sectie: "Gebruik"

Transport en opslag

! WAARSCHUWING

- Voor u de trainer verplaatst dient u de adapter los te koppelen.
 - Draag en verplaatst het toestel met minstens twee personen.
- Blijf aan weerskanten aan de voorkant van het toestel staan en pak de handgrepen stevig vast. Til de voorkant van het toestel op zodat de achterkant van het toestel op de wielen komt te

rusten. Verplaats het toestel en zet het voorzichtig neer. Zorg voor een beschermende laag onder het toestel om schade aan het vloeroppervlak te voorkomen.

- Verplaats het toestel voorzichtig over een ongelijke ondergrond. Breng het toestel niet met behulp van de wielen naar boven, maar draag het toestel bij de handgrepen.
- Berg het toestel op een droge plaats op met zo weinig mogelijk temperatuurwisselingen.

Garantie

Garantie voor eigenaars van Tunturi trainingsapparatuur

Garantievoorwaarden

De consument heeft recht op de geldende wettelijke rechten met betrekking tot de handel in consumptiegoederen die worden vermeld in de nationale wet- en regelgeving. Deze garantie zal deze rechten niet beperken. De garantie voor de eigenaar geldt alleen wanneer het apparaat wordt gebruikt in een door Tunturi New Fitness BV voor dat specifieke apparaat toegestane omgeving en wordt onderhouden volgens de aanwijzingen. De goedgekeurde omgeving en onderhoudsinstructies voor het product staan vermeld in de "gebruikershandleiding" van het product. De "gebruikershandleiding" kan worden gedownload van onze website. <http://manuals.tunturi.com>

Garantievoorwaarden

De garantievoorwaarden gaan in vanaf de datum van aankoop. Deze kunnen per land verschillen. Vraag in de winkel bij u in de buurt naar de garantievoorwaarden.

Garantiedekking

In geen enkele omstandigheid zal Tunturi New Fitness BV of een wederverkoper van Tunturi aansprakelijk zijn voor eventuele indirecte schade geleden door de koper, zoals verlies van gebruiksnuut of inkomstenderving of andere indirecte economische gevolgen.

Garantiebeperkingen

De garantie dekt defecten van het toestel die het gevolg zijn van materiaalfouten of onjuist uitgevoerd werk, mits het toestel zijn originele samenstelling heeft. De garantie betreft alleen defecten die blijken tijdens normaal gebruik overeenkomstig de meegeleverde gebruiksaanwijzing, mits de montage-, onderhouds- en gebruiksaanwijzingen van Tunturi zijn opgevolgd. Tunturi New Fitness BV en zijn wederverkopers zijn niet aansprakelijk voor defecten tengevolge van factoren waarop zij geen invloed kunnen uitoefenen. De garantie betreft alleen de eerste eigenaar van het toestel en is alleen geldig in landen waar een geautoriseerde importeur van Tunturi New Fitness BV is gevestigd. De garantie betreft geen trainingstoestellen of onderdelen die zijn gewijzigd zonder toestemming van Tunturi New Fitness BV. De garantie dekt geen defecten tengevolge van normale slijtage, onjuist gebruik, gebruik in omstandigheden waarvoor het toestel niet is bedoeld, corrosie of schade ontstaan tijdens laden of transport.

De garantie geldt niet voor geluiden die ontstaan door het gebruik, als ze het gebruik van het apparaat niet wezenlijk belemmeren en niet veroorzaakt zijn door een defect aan het apparaat.

De garantie omvat ook geen onderhoudsmaatregelen, zoals reiniging, smering of normale inspectie van onderdelen, noch dergelijke montagewerkzaamheden die de klant zelf kan uitvoeren en die geen speciale demontage en montage van het toestel vereisen. Dit soort maatregelen zijn bijv. vervanging van monitoren, pedalen of andere vergelijkbare eenvoudige onderdelen. Garantieherstel dat is uitgevoerd door een ander dan de geautoriseerde Tunturi-vertegenwoordiger wordt niet vergoed. De garantie geldt alleen voor normaal, voorgeschreven gebruik van het product zoals beschreven in de handleiding.

Technische gegevens

Parameter	Meeteenheid	Waarde
Lengte	cm	120.5
	inch	47.4
Breedte	cm	59.5
	inch	23.4
Hoogte	cm	146.5
	inch	57.7
Gewicht	kg	37.5
	lbs	82.7
Max. gewicht gebruiker	kg	150.0
	lbs	330.0
Uitgangsspecificaties van de transformator	Voltage	9V-DC
	Ampère	2.0 A
Hartslagmeting beschikbaar via:	Handgreep contact	Ja
	5.0 Khz	Nee
	5.3 Khz	Nee
	Bluetooth (BLE)	Ja
	ANT+	Nee

Verklaring van de fabrikant

Tunturi New Fitness BV verklaart dat de Signature E50 Fiets trainer voldoet aan de volgende normen en richtlijnen:

- RoHS-richtlijn (2011/65/EU)
- Algemene Productveiligheidsverordening (APV) – (EU) 2023/988

Hierbij verklaart Tunturi New Fitness BV dat het radioapparaattype Signature E50 Fiets trainer voldoet aan de Richtlijn 2014/53/EU.

De conformiteitsverklaring met alle normen en richtlijnen kan worden gedownload op onze website: <https://doc.tunturi.com>

Tunturi New Fitness BV
Purmerweg 1
1311 XE Almere
Nederland

Disclaimer

© 2025 Tunturi New Fitness BV
Alle rechten voorbehouden.

- Het product en de handleiding zijn aan veranderingen onderhevig.
- Specificaties kunnen zonder verdere kennisgeving worden veranderd.
- Raadpleeg onze website voor de meest recente versie van de gebruikershandleiding.

Italiano

Questo manuale in lingua italiana è una traduzione dalla versione originale del manuale in lingua inglese.

Non si possono trarre diritti di traduzione dalla presente traduzione.

Indice

Benvenuti.....	58
Precauzioni di sicurezza.....	58
Sicurezza elettrica.....	59
Istruzioni di montaggio.....	59
Illustrazione di descrizione A.....	59
Illustrazione di descrizione B.....	59
Illustrazione di descrizione C.....	59
Illustrazione di descrizione D.....	59
Informazioni aggiuntive sull'assemblaggio.....	59
Informazioni ambientale aggiuntive.....	60
Allenamenti.....	60
Istruzioni per l'esercizio.....	60
Frequenza cardiaca.....	61
Utilizzo.....	61
Regolazione dei piedini di appoggio.....	61
Regolazione della console.....	61
Regolazione della posizione orizzontale del sedile.....	62
Regolazione della posizione verticale del sedile.....	62
Regolazione dell'impugnatura.....	62
Alimentazione.....	62
Console.....	62
Spiegazione delle funzioni di visualizzazione.....	62
Spiegazione dei pulsanti.....	63
Utilizzo.....	64
Programmi.....	64
Impostazione dell'utente.....	64
Manualmente.....	65
Profilo programma 1~12.....	65
Controllo frequenza cardiaca.....	65
Controllo Watt (W).....	65
Programmi utente (U).....	66
Recovery (Recupero).....	66
Body Fat (Grasso corporeo).....	66
Bluetooth & APP.....	66
Pulizia e manutenzione.....	67
Difetti e malfunzionamenti.....	67
Trasporto e stoccaggio.....	67
Garanzia.....	67
Dati tecnici.....	68
Dichiarazione del fabbricante.....	68
Clausola di esonero della responsabilità.....	68

Benvenuti

Benvenuti nel mondo di Tunturi Fitness!

Grazie per aver acquistato questo apparecchio Tunturi. Tunturi offre un'ampia gamma di apparecchi per fitness professionale, fra cui crosstrainer, tapis roulant, cyclette, vogatori, panche di forza e multi stazioni. Questo apparecchio Tunturi è adatto per tutta la famiglia, a prescindere dal livello di forma fisica. Per ulteriori informazioni, visitare il sito Web www.tunturi.com

Importanti istruzioni di sicurezza

Questo manuale è una parte essenziale dell'attrezzo da allenamento, si prega di leggere tutte le istruzioni fornite prima di iniziare a utilizzare l'attrezzo. Le seguenti precauzioni devono essere sempre seguite:

Precauzioni di sicurezza

⚠ ATTENZIONE

- Leggere le precauzioni di sicurezza e le istruzioni. La mancata osservanza delle precauzioni di sicurezza e delle istruzioni può causare lesioni personali o danni all'apparecchio. Conservare gli avvisi di sicurezza e le istruzioni per future consultazioni.

⚠ ATTENZIONE

- Il sistema di monitoraggio della frequenza cardiaca può essere impreciso. L'eccessivo esercizio può causare serie lesioni o perfino il decesso. Se si avverte spossatezza, interrompere immediatamente l'allenamento.
- L'apparecchio è adatto esclusivamente per un uso domestico, non professionale. L'apparecchio non è idoneo per scopi commerciali.
- L'utilizzo massimo è limitato fino a 5 ore al giorno
- Questo apparecchio può essere utilizzato da bambini di età pari o superiore a 8 anni e da persone con capacità fisiche, sensoriali o mentali ridotte o prive di esperienza e conoscenza, solo se sorvegliati o istruiti sull'uso sicuro dell'apparecchio e se comprendono i pericoli connessi.
- Sorvegliare i bambini per assicurarsi che non giochino con l'apparecchio.
- Prima di iniziare l'allenamento, consultare un medico per verificare il proprio stato di salute.
- Se si avvertono nausea, vertigini o altri sintomi anomali, interrompere immediatamente l'allenamento e consultare un medico.
- Per evitare dolori muscolari e sforzi, iniziare ogni allenamento con una fase di riscaldamento e terminare ogni allenamento con una fase di defaticamento. Ricordarsi di eseguire lo stretching al termine dell'allenamento.
- L'apparecchio è adatto esclusivamente per un uso in interni. L'apparecchio non è idoneo per un uso all'aperto.
- Utilizzare l'apparecchio in un ambiente con ventilazione adeguata. Non utilizzare in ambienti esposti alle correnti d'aria per non prendere un raffreddore.
- Utilizzare l'apparecchio esclusivamente in ambienti con temperature comprese fra 10 °C e 35 °C. Conservare l'apparecchio esclusivamente in ambienti con temperature comprese fra 5°C~45°C/ 41°F~113°F.
- Non utilizzare o riporre l'apparecchio in ambienti umidi. L'umidità dell'aria non deve mai superare l'80%.
- Utilizzare l'apparecchio solo per lo scopo previsto. Non utilizzare l'apparecchio per scopi diversi da quelli descritti nel manuale.
- Non usare l'apparecchio se presenta parti danneggiate o difettose. In caso di parti danneggiate o difettose contattare il rivenditore.

- Mantenere mani, piedi e le altre parti del corpo lontani dalle parti in movimento.
- Tenere i capelli lontani dalle parti in movimento.
- Indossare indumenti e scarpe adatti.
- Mantenere abiti, gioielli e altri oggetti lontani dalle parti in movimento.
- Controllare che l'apparecchio venga utilizzato da una sola persona alla volta. L'apparecchio non deve essere utilizzato da persone di peso superiore a 135 kg (300 lbs)
- Non smontare l'apparecchio senza aver consultato il rivenditore..

Sicurezza elettrica

- Prima dell'uso, verificare sempre che la tensione della rete elettrica corrisponda alla tensione riportata sulla targhetta nominale dell'apparecchio.
- Non utilizzare cavi di prolunga.
- Tenere il cavo di alimentazione lontano da fonti di calore, olio e bordi affilati.
- Non alterare o modificare il cavo o la spina di alimentazione.
- Non utilizzare l'apparecchio se il cavo o la spina di alimentazione sono danneggiati o difettosi. Se il cavo o la spina di alimentazione risultano danneggiati o difettosi, contattare il rivenditore.
- Svolgere sempre completamente il cavo di alimentazione
- Non far passare il cavo di alimentazione sotto l'apparecchio. Non far passare il cavo di alimentazione sotto un tappeto. Non collocare alcun oggetto sul cavo di alimentazione.
- Verificare che il cavo di alimentazione non sporga sul bordo di un tavolo. Verificare che il cavo di alimentazione non possa rimanere accidentalmente impigliato o causare inciampanti.
- Non lasciare l'apparecchio incustodito quando la spina di alimentazione è collegata alla presa a muro.
- Non tirare il cavo di alimentazione per rimuovere la spina dalla presa a muro.
- Scollegare la spina di alimentazione dalla presa a muro quando l'apparecchio non è in uso, prima di assemblare o di smontare l'apparecchio o di qualsiasi intervento di pulizia o manutenzione.

⚠ AVVERTENZA

- Non utilizzare mai acqua o altri liquidi direttamente sull'attrezzo o vicino ad esso, ma solo un panno umido se serve un po' di umidità per pulire la macchina.
- L'uso diretto di liquidi è dannoso per i componenti dell'attrezzo e può provocare una scossa elettrica causata da un cortocircuito. Ciò potrebbe causare lesioni personali gravi o addirittura la morte.
- L'apparecchio deve essere utilizzato esclusivamente con l'alimentatore fornito in dotazione.

Istruzioni di montaggio

Illustrazione di descrizione A

L'illustrazione mostra l'aspetto del trainer una volta completato l'assemblaggio.

È possibile utilizzarla come riferimento durante l'assemblaggio, ma è importante seguire sempre i passaggi di assemblaggio nella sequenza corretta come illustrato.

Illustrazione di descrizione B

L'illustrazione mostra quali componenti e parti sono presenti al momento del disimballaggio del prodotto.

!! NOTA

- Le parti di piccole dimensioni potrebbero trovarsi nascoste o infilate in spazi ristretti nella protezione del prodotto in Styrofoam

Illustrazione di descrizione C

L'illustrazione mostra il kit di attrezzatura fornito con il prodotto. Il kit di attrezzatura contiene bulloni, rondelle, viti, dadi ecc. e gli strumenti necessari per installare correttamente il trainer.

Illustrazione di descrizione D

Le illustrazioni mostrano di seguito l'ordine corretto con cui assemblare il trainer nel modo migliore.

⚠ ATTENZIONE

- Assemblare l'apparecchio nell'ordine indicato.
- Per trasportare e spostare l'apparecchio sono necessarie almeno due persone.

⚠ AVVISO

- Collocare l'apparecchio su una superficie stabile e in piano.
- Collocare l'apparecchio su una base protettiva per evitare danni alla superficie del pavimento.
- Mantenere uno spazio libero di almeno 1 m intorno all'apparecchio.
- Consultare le illustrazioni per il corretto assemblaggio dell'apparecchio.

Informazioni aggiuntive sull'assemblaggio

D3 Come installare i pedali correttamente.

!! NOTA

- I lati destro e sinistro vengono determinati dalla prospettiva delle posizioni di esercizio.

Pedale destro

Trovare la lettera "R" o "L" sull'asse del pedale

- Installare il pedale destro "R" nella pedivella destra.
- Per prima cosa, ruotare l'asse del pedale manualmente in direzione oraria.
- Utilizzare la chiave inglese per serrare completamente il pedale.

Pedale sinistro

- Installare il pedale sinistro "L" nella pedivella sinistra.
- Per prima cosa, ruotare l'asse del pedale manualmente in direzione antioraria.
- Utilizzare la chiave inglese per serrare completamente il pedale.



Cliccare per vedere il nostro video di supporto su YouTube
<https://youtu.be/3BiN9mc5Tmw?t=101>

Informazioni supplementari sulla fase di montaggio D4 & D5

- Collegare il cavo proveniente dalla struttura principale alla parte inferiore del cavo pre-montato nel tubo verticale.
 - Inserire il tubo verticale sulla staffa di fissaggio della struttura principale, dove i bulloni di fissaggio sono pre-montati e rimangono pre-montati.
- (Mentre si abbassa il tubo verticale, sollevare delicatamente la parte superiore del cavo, per evitare che rimanga intrappolato nel collegamento.)

- Il tubo verticale dovrebbe inserirsi automaticamente nella posizione centrale, ma si consiglia di correggere leggermente per accertarsi che la posizione sia corretta.
- La posizione perfetta è quando i bulloni di fissaggio sono perfettamente allineati con i fori del tubo verticale.

!! NOTA

- Per evitare che il cavo di collegamento tra queste due parti venga schiacciato, fissare il connettore del cavo nella staffa.
 - Stringendo i due bulloni (girando in senso orario) sul lato anteriore, si allargherà la staffa di fissaggio per consentire un fissaggio corretto del tubo verticale.
- Per fissare il tubo verticale si deve prima stringere bene il bullone sul lato superiore.
 - Una volta stretto il bullone superiore, si dovrà stringere bene il bullone inferiore.
 - Stringendo il bullone inferiore, il tubo verticale verrà leggermente riposizionato così da poter stringere un po' di più il bullone superiore, quindi si dovrà nuovamente stringere il bullone superiore.
 - Ripetere questi passaggi fino a quando entrambi i bulloni non saranno stretti bene per garantire un fissaggio corretto del tubo verticale.



Cliccare per vedere il nostro video di supporto su YouTube
<https://youtu.be/3BiN9mc5Tmw?t=180>

!! NOTA

- Conservare tutti gli utensili forniti con questo prodotto, dopo aver completato il montaggio del prodotto, per eventuali necessità di assistenza in futuro.

Informazioni ambientale aggiuntive

Smaltimento dell'imballo

Le linee guida governative chiedono di ridurre la quantità di rifiuti smaltiti nelle discariche. Per questo vi chiediamo di smaltire in modo responsabile tutti i rifiuti d'imballo presso dei centri di riciclaggio pubblici.

Smaltimento a fine vita

Noi di Tunturi speriamo che possiate godervi molti anni di piacevole uso dal nostro fitness trainer. Tuttavia, arriverà il momento quando il vostro fitness trainer arriverà alla fine della sua vita utile. Secondo la Legislazione Europea WEEE voi siete responsabili per uno smaltimento appropriato del vostro fitness trainer presso una struttura di raccolta pubblica autorizzata.

Allenamenti

L'allenamento deve essere adeguatamente leggero ma di lunga durata. L'esercizio aerobico si basa sul miglioramento del consumo massimo di ossigeno del corpo che a sua volta migliora resistenza e forma fisica. Durante l'allenamento è necessario sudare ma non arrivare all'affanno. Per raggiungere e mantenere una forma fisica di base, allenarsi almeno tre volte alla settimana, per 30 minuti alla volta. Aumentare il numero di sessioni di esercizio per migliorare il livello di forma fisica. È importante combinare l'esercizio regolare con una dieta salutare. Una persona impegnata a seguire una dieta dovrà allenarsi quotidianamente, iniziando con 30 minuti o meno e aumentando gradualmente l'allenamento giornaliero fino ad un'ora. Iniziare l'allenamento a bassa velocità e con scarsa resistenza per evitare di sottoporre a uno stress eccessivo il sistema cardiovascolare.

Man mano che il livello di forma fisica aumenta, è possibile aumentare gradualmente anche velocità e resistenza. L'efficienza dell'allenamento può essere misurata monitorando la frequenza cardiaca e le pulsazioni.

Istruzioni per l'esercizio

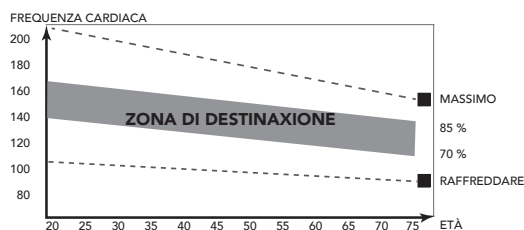
L'utilizzo del vostro fitness trainer vi darà diversi benefici, migliorerà la vostra forma fisica, tono muscolare e, insieme a una dieta con le calorie sotto controllo, vi aiuterà a perdere peso.

La fase di riscaldamento

Questa fase aiuta a far scorrere il sangue nel corpo e a far funzionare correttamente i muscoli. Ridurrà anche il rischio di crampi e di lesioni muscolari. Si consiglia di fare qualche esercizio di stretching come mostrato qui di seguito. Ogni esercizio di stretching andrebbe mantenuto per circa 30 secondi, non forzare o strappare i muscoli durante l'esercizio, se si sente un dolore FERMARSI SUBITO

La fase dell'esercizio

Questa è la fase dove fate il vostro sforzo. Dopo un uso regolare, i muscoli delle vostre gambe diventeranno più flessibili. Lavorare nell'ottica del vostro obiettivo è molto importante per mantenere un ritmo costante durante l'esercizio. La velocità del vostro lavoro dovrebbe essere sufficiente per aumentare il vostro battito cardiaco nella zona target mostrata sul grafico qui sotto.



Questa fase dovrebbe durare almeno 12 minuti anche se la maggior parte delle persone inizia a circa 15-20 minuti

La fase di defaticamento

Questa fase consente al vostro sistema cardiovascolare e ai vostri muscoli di rilassarsi. Questa è una ripetizione dell'esercizio di riscaldamento, cioè riduce il vostro ritmo, e continua per circa 5 minuti. Gli esercizi di stretching adesso andrebbero ripetuti, ricordandosi sempre di non forzare o strappare i vostri muscoli nello stretching.

A mano a mano che sarete più in forma, potrete aver bisogno di allenarvi di più e più a lungo. Si consiglia di allenarsi almeno tre volte alla settimana, e se possibile, spalmare gli esercizi in

Tono muscolare

Per tonificare i muscoli mentre siete sul vostro fitness trainer dovrete impostare la resistenza abbastanza alta. Questo sforzerà di più i muscoli delle vostre gambe e potrebbe voler dire che non potrete allenarvi per il tempo che avreste desiderato. Se anche voi state cercando di migliorare la vostra forma dovrete modificare il vostro programma di allenamento. Dovreste allenarvi normalmente durante le fasi di riscaldamento e di defaticamento, ma verso la fine della fase dell'esercizio dovrete aumentare la resistenza, per fare lavorare di più le vostre gambe. Dovreste ridurre la vostra velocità per mantenere la vostra frequenza cardiaca nella zona target.

Perdere peso

Qui il fattore importante è la quantità di sforzo che mettete. Più forte e a lungo lavorate e più calorie brucerete. In effetti è uguale a come se stesse allenandovi per migliorare la vostra forma, la differenza è l'obiettivo.

Frekuensi cardiaca

Misurazione delle pulsazioni (sensori del cardiofrequenzimetro)

Le pulsazioni vengono misurate da sensori posti sulle impugnature quando l'utente tocca entrambi i sensori contemporaneamente. Un'accurata misurazione delle pulsazioni richiede che la pelle sia leggermente umida e costantemente a contatto con i sensori del cardiofrequenzimetro. Se la pelle è troppo asciutta o troppo bagnata, la misurazione delle pulsazioni diventa meno accurata.

!! NOTA

- Non utilizzare i sensori del cardiofrequenzimetro in combinazione con una fascia toracica per la misurazione della frequenza cardiaca.
- Impostando un limite per la frequenza cardiaca, viene generato un allarme acustico al superamento di tale limite.

Misurazione della frequenza cardiaca (fascia toracica)

!! NOTA

- La fascia toracica non è di serie con questa macchina. Se si desidera utilizzare una fascia toracica wireless, è necessario acquistarla come accessorio.

La misurazione della frequenza cardiaca più accurata si ottiene tramite una fascia cardiaca. La misurazione viene effettuata da un ricevitore della frequenza cardiaca combinato con una fascia toracica trasmittente. Per un'accurata misurazione della frequenza cardiaca, gli elettrodi sulla fascia del trasmettitore devono essere leggermente umidi e costantemente a contatto con la pelle. Se gli elettrodi sono troppo asciutti o troppo bagnati, la misurazione della frequenza cardiaca diventa meno accurata.

⚠ ATTENZIONE

- Se l'utente è portatore di pacemaker, consultare un medico prima di utilizzare una fascia toracica per la misurazione della frequenza cardiaca.

⚠ AVVISO

- In presenza di numerosi dispositivi per la misurazione della frequenza cardiaca vicini, verificare che siano almeno ad una distanza di 1,5 metri uno dall'altro.
- In presenza di un solo ricevitore e numerosi trasmettitori di frequenza cardiaca, verificare che solo una persona con un trasmettitore sia all'interno del campo di trasmissione.

!! NOTA

- Non utilizzare i sensori del cardiofrequenzimetro in combinazione con una fascia toracica per la misurazione della frequenza cardiaca.
- Indossare sempre la fascia toracica sotto gli abiti a diretto contatto con la pelle. Non indossare la fascia toracica sopra gli abiti. Indossando la fascia toracica sopra gli abiti, non sarà trasmesso alcun segnale.
- Impostando un limite per la frequenza cardiaca, viene generato un allarme acustico al superamento di tale limite.
- Il trasmettitore trasmette la frequenza cardiaca alla console fino ad una distanza di 1 metro. Se gli elettrodi non sono umidi, la frequenza cardiaca non viene visualizzata sul display.
- Alcune fibre negli abiti (ad es. poliestere, poliammide) creano elettricità statica che può impedire un'accurata misurazione della frequenza cardiaca.
- Cellulari, TV e altri apparecchi elettrici creano un campo magnetico che può impedire un'accurata misurazione della frequenza cardiaca.

Massima frequenza cardiaca (durante l'allenamento)

La massima frequenza cardiaca è la frequenza cardiaca più elevata che una persona può raggiungere in sicurezza durante lo stress dell'allenamento. Per calcolare la massima frequenza cardiaca media, viene utilizzata la seguente formula: $220 - \text{ETÀ}$. La massima frequenza cardiaca varia da persona a persona.

⚠ ATTENZIONE

- Porre attenzione a non superare la massima frequenza cardiaca durante l'allenamento. In caso di appartenenza ad un gruppo a rischio, consultare un medico.

Principianti

50-60% della massima frequenza cardiaca

Adatta per persone in fase di dieta dimagrante, principianti, convalescenti e per chi non fa esercizio da molto tempo. Allenarsi almeno tre volte alla settimana, per 30 minuti alla volta.

Livello avanzato

60-70% della massima frequenza cardiaca

Adatta per coloro che desiderano migliorare e mantenere la forma fisica. Allenarsi almeno tre volte alla settimana, per 30 minuti alla volta..

Esperti

70-80% della massima frequenza cardiaca

Adatta per le persone in perfetta forma fisica abituate ad allenamenti che richiedono molta resistenza.

Utilizzo

Regolazione dei piedini di appoggio

L'attrezzo è dotato di piedini di appoggio regolabili.

Se risulta instabile, traballante o non ben livellata, questi piedini di appoggio possono essere regolati per apportare le correzioni richieste.

- Avvitare/svitare i piedini di appoggio come richiesto per mettere l'attrezzo in una posizione stabile e il più possibile livellata.
- Serrare il controdado* per bloccare i piedini di appoggio.

!! NOTA

- L'attrezzo è più stabile se regolato più vicino al pavimento. Pertanto, iniziare a livellare l'attrezzo avvitando completamente tutti i piedini di appoggio, prima di svitare i piedini di appoggio per stabilizzare e livellare l'attrezzo.



Cliccare per vedere il nostro video di supporto su YouTube
<https://youtu.be/3BiN9mc5Tmw?t=535>

Regolazione della console

L'angolo visuale della console può essere regolato in base all'altezza e alla posizione di esercizio dell'utente.

- Regolare liberamente la console nella posizione desiderata; non c'è bisogno di rilasciare la posizione di fissaggio.
- La staffa di supporto della console utilizza un sistema di fissaggio automatico.

!! NOTA

- Quando la console non riesce più a mantenere saldamente la posizione desiderata si potrà facilmente stringere il sistema di fissaggio.
- Rimuovere i tappi rotondi del perno e stringere leggermente le viti esposte fino a raggiungere il serraggio desiderato, in modo che la console rimanga salda, ma si possa ancora regolare l'angolo di visione.

Regolazione della posizione orizzontale del sedile

È possibile regolare la posizione orizzontale del sedile impostandolo nella posizione richiesta.

- Allentare la manopola di regolazione del sedile.
- Spostare il sedile nella posizione richiesta.
- Serrare la manopola di regolazione del sedile.

Regolazione della posizione verticale del sedile

È possibile regolare la posizione verticale del sedile impostando il reggisella nella posizione richiesta. Con la gamba quasi stesa, l'arco del piede deve toccare il pedale nel punto più basso.

- Allentare la manopola di regolazione del reggisella.
- Spostare il reggisella nella posizione richiesta.
- Serrare la manopola di regolazione del reggisella.



Cliccare per vedere il nostro video di supporto su YouTube
<https://youtu.be/3BiN9mc5Tmw?t=486>

Regolazione dell'impugnatura

È possibile regolare l'impugnatura in base all'altezza e alla posizione di esercizio dell'utente.

- Allentare la manopola di regolazione dell'impugnatura.
- Spostare l'impugnatura nella posizione richiesta.
- Serrare la manopola di regolazione dell'impugnatura.

!! NOTA

- La manopola di regolazione del manubrio è dotata di un sistema a molla che quando si fissa il manubrio, facilita l'inserimento in posizione.
- Estrarre la manopola premendo allo stesso tempo con il pollice sul pulsante centrale per sganciarla. Rilasciare il pulsante per attivare nuovamente la funzione di fissaggio/sgancio.

Alimentazione

Il trainer è dotato di un'alimentazione esterna. Fare riferimento all'illustrazione per individuare l'ingresso dell'alimentazione del trainer. (Fig. E)

!! NOTA

- Collegare l'alimentazione al trainer prima di inserirla nella presa elettrica.
- Staccare sempre il cavo di alimentazione quando la macchina non viene usata.

Console



1. Display
2. Supporto per tablet/ libro
3. Pulsanti
4. Porta di ricarica USB

⚠ AVVISI

- Non esporre la console alla luce solare diretta.
- Asciugare la superficie della console se è coperta da gocce di sudore.
- Non appoggiarsi sulla console.
- Toccare il display solo con la punta delle dita. Non toccare il display con le unghie o con oggetti appuntiti.

!! NOTA

- La console passa in modalità standby quando l'apparecchio non viene utilizzato per 4 minuti.

Spiegazione delle funzioni di visualizzazione

Time (Tempo)

- Senza impostare il valore target, il tempo verrà conteggiato.
- Se si imposta il valore target, il tempo farà un conto alla rovescia dal vostro tempo target a 0 e suonerà o lampeggerà un allarme. Il tempo continuerà ad essere conteggiato se l'allenamento non viene interrotto una volta raggiunto l'obiettivo.
- Intervallo di visualizzazione: 00:00:00 ~ 23:59:59.

Il display aggiuntivo del tempo (sotto il supporto del tablet) duplicherà la finestra del tempo, ma limitandosi a visualizzare solo i minuti e i secondi.

Speed (Velocità)

- Visualizza la velocità di allenamento corrente.
- Intervallo di visualizzazione: 0.0 ~ 99.9 km/h.
- Senza nessun segnale trasmesso nel monitor per 4 secondi durante l'esercizio, VELOCITA' visualizzerà "0.0"

Il display aggiuntivo della velocità (sotto il supporto del tablet) duplicherà la finestra principale della velocità.

RPM

- Visualizza i giri al minuto
- Intervallo di visualizzazione: 0 - 15 ~ 999 RPM.
- Senza nessun segnale trasmesso nel monitor per 4 secondi durante l'esercizio, RPM visualizzerà "0"

WATT

- Visualizza i watt dell'esercizio corrente.
- Intervallo di visualizzazione: 0 ~ 999 Watt.
- ▲ Il simbolo viene visualizzato nella finestra Level quando l'obiettivo Watt impostato è inferiore all'uscita watt dell'allenamento in esecuzione. Stai pedalando troppo velocemente, oppure l'obiettivo impostato è troppo basso.
- ▼ Il simbolo viene visualizzato nella finestra Level quando l'obiettivo Watt impostato è superiore all'uscita watt dell'allenamento in esecuzione. Stai pedalando troppo lentamente, oppure l'obiettivo impostato è troppo alto.

Level (CARICO)

- Mostra l'impostazione per il livello di tensione, quando si regola la resistenza, per 3 secondi.
- Il simbolo ▲ nella finestra Livello lampeggia, durante l'allenamento con un profilo pre-programmato, tre secondi prima che la tensione aumenti, per notificare l'imminente aumento programmato dello sforzo.
- Il simbolo ▼ nella finestra Livello lampeggia, durante l'allenamento con un profilo pre-programmato, tre secondi prima che la tensione cali, per notificare l'imminente riduzione programmata dello sforzo.

!! NOTA

- Se non viene impostato alcun tempo target, i simboli freccia su/giù non notificheranno la regolazione della resistenza 3 secondi prima della modifica della resistenza.

Distance (Distanza)

- Senza impostare il valore target, la distanza verrà conteggiata.
- Se si imposta il valore target, per la distanza ci sarà un conto alla rovescia dalla vostra distanza target a 0 con il suono o il lampeggio di un allarme.
- Intervallo di visualizzazione: 0.00 ~ 99.99 KM.

Il display aggiuntivo della distanza (sotto il supporto del tablet) duplicherà la finestra principale della distanza.

Calories (Calorie)

- Senza impostare il valore target, le calorie verranno conteggiate.
- Se si imposta il valore target, per le calorie ci sarà un conto alla rovescia dalla vostra caloria target a 0 con il suono o il lampeggio di un allarme.
- Intervallo di visualizzazione: 0 ~ 999 calorie.

!! NOTA

- Questo dato è una guida approssimativa per confrontare le differenti sedute di esercizi che non può essere usato in un trattamento medico.

Pulse (Impulso)

- L'impulso corrente verrà visualizzato dopo 6 secondi quando viene rilevato dalla console.
- Senza nessun segnale d'impulso per 6 secondi, la console visualizzerà "P".
- L'allarme impulso suonerà quando l'impulso corrente è oltre l'impulso target.
- Intervallo di visualizzazione: 0 - 40 ~ 200 BPM

!! NOTA

- L'icona rossa del battito cardiaco lampeggia quando viene rilevata una frequenza cardiaca; per visualizzare il valore della frequenza cardiaca occorrono alcuni secondi, per il necessario processo di calcolo della media.
- Il valore misurato non può essere utilizzato come una prova medica.

Il display aggiuntivo del battito cardiaco (sotto il supporto del tablet) duplicherà la finestra principale del battito cardiaco.

Display delle zone di frequenza cardiaca a 4 colori.

Il display della frequenza cardiaca a 4 colori mostra la zona di frequenza cardiaca espressa in percentuale in base all'età impostata dall'utente.

Ecco come effettua il calcolo.

Frequenza cardiaca misurata divisa per frequenza cardiaca massima; risultato moltiplicato per 100.

Frequenza cardiaca massima per gli uomini (220 - Età)

Frequenza cardiaca massima per le donne (226 - Età)

BAI™

- Visualizza il valore BAI del consumo BAI durante l'allenamento.
- Intervallo di visualizzazione 0~999

!! NOTA

- Il BAI (Body Activity Index) è la somma del volume di allenamento effettivo.
- Volume allenamento = Intensità allenamento x Tempo allenamento.

Il BAI calcola il volume dell'allenamento effettivo in base a frequenza cardiaca, età, sesso e durata.

Durante l'allenamento, è possibile vedere l'accumulo del BAI. Non appena viene completata la sessione di allenamento, è possibile ottenere un punto BAI totale della sessione, che rappresenta il volume di allenamento effettivo totale per la sessione.

Con un allenamento più sostenuto e una zona di frequenza cardiaca maggiore, si ottengono punti BAI più velocemente. Con un allenamento meno sostenuto e una zona di frequenza cardiaca minore, si ottengono punti BAI più lentamente.

Consigliamo di allenarsi accumulando 100 punti BAI ogni settimana per migliorare le capacità cardio.

Display centrale

- La riga superiore mostra i profili del programmi.
- L'angolo superiore destro mostra l'utente selezionato (U1, U2, U3, U4)
- Il display a matrice di punti inferiore mostra graficamente la curva d'intensità del profilo del programma.
 - * Nel controllo della tensione: Ogni punto rappresenta 2 livelli di tensione.
 - * In modalità HRC: Ogni punto rappresenta un livello di tensione, come se fosse controllato dalla tensione.
 - * In modalità Watt: Ogni punto rappresenta un livello di tensione come se fosse controllato dalla tensione.

Spiegazione dei pulsanti**Ruotare la manopola in senso orario (su)**

- Aumentare il livello di resistenza durante l'esercizio.
- Ruotare la manopola in senso orario per aumentare il valore.

Ruotare la manopola in senso antiorario (giù)

- Diminuire il livello di resistenza durante l'esercizio.
- Ruotare la manopola in senso antiorario per diminuire il valore.

Premere la manopola (modalità/ invio)

- Conferma l'impostazione o la selezione.
- Arresta la funzione scan del display e fissa il parametro corrente nel display centrale quando si è in modalità di allenamento.
- Passa al parametro successivo quando si è in modalità di visualizzazione fissa.

!! NOTA

- Quando si interrompe la modalità scan fissando un parametro specifico, non si può riattivare la funzione "scan", se non premendo rapidamente due volte su "Start/Stop" per mettere subito in pausa e riavviare l'allenamento.

Reset

- In modalità impostazione, premere una volta il tasto RESET per azzerare i valori della funzione corrente.
- Premere il tasto RESET e tenerlo premuto per 3 secondi per azzerare tutti i valori di tutte le funzioni.

Start/ Stop

- Avviamento o Interruzione (pausa) dell'esercizio.

Body Fat (Grasso corporeo)

Test % grasso corporeo e BMI.

Recovery (Recupero)

- Una volta che console rileva il segnale d'impulso, premere il tasto RECOVERY per accedere in modalità recupero e monitorare la capacità di recupero della frequenza cardiaca

Utilizzo

Accensione

- Inserire la spina nella presa a muro.
Il computer si avvia e visualizza tutti i componenti sul display LCD per 2 secondi
- Premere qualsiasi tasto per accendere la console mentre si trova in modalità sleep.
- Iniziare a pedalare per accendere la console quando si trova in modalità sleep.

!! NOTA

- La console passa in modalità sospensione se il dispositivo non viene utilizzato per 4 minuti.

Modalità sospensione

Quando la console è in modalità sospensione, tutte le finestre di informazione sono oscurate come se fosse in modalità off.

Spegnimento

- Per spegnere il trainer è necessario rimuovere la fonte di alimentazione dal trainer stesso.

Selezione dell'allenamento

Utilizzare il manopola rotante per selezionare:

M	Manualmente
P1 ~ P12	Profilo programma 1 ~ 12
♥	Controllo frequenza cardiaca
W	Controllo Watt
U	Programma utente

Funzione USB

L'utente può collegare il dispositivo per caricare durante l'allenamento.

Tensione/ Corrente: 5VDC/ 1.0 Amp

Programmi

Avvio rapido

- Premere il tasto START/STOP per iniziare l'allenamento senza alcuna impostazione predefinita.
- Utilizzare il manopola rotante per regolare il livello di resistenza durante l'allenamento.

Terminare l'allenamento

- Premere START/STOP in modalità allenamento per fermare/ mettere in pausa l'allenamento.
Per riprendere l'allenamento, premere il tasto START/STOP in modalità pausa.
- Premere il tasto RESET (in modalità Pausa) per reimpostare tutti i dati dell'allenamento.
- Tenere premuto il tasto RESET per oltre 3 secondi per resettare la console. (I dati dell'allenamento attivo andranno persi)

⚠ CONSIGLIO RAPIDO

- Quando si è in modalità Pausa, si può utilizzare il "disco Modalità" per regolare gli obiettivi impostati.
- Premere Modalità per selezionare: Tempo/ Distanza/ Calorie e/o battito cardiaco.
- Ruotare il disco per impostare l'obiettivo desiderato e premere "Modalità" per selezionare il primo parametro successivo da modificare, oppure premere il pulsante "Start/Stop" per riprendere l'allenamento.

Impostazione dell'utente

È possibile selezionare un utente quando la console è in modalità "Start up" [Avvio].

Quando la console è in modalità di funzionamento, tenere premuto il tasto "RESET" per più di 3 secondi per riavviare la console e passare alla modalità "Start up".

"U1" (o l'ultimo utente selezionato da U1~U4) lampeggia.

- Selezionare l'utente, ruotare la manopola per selezionare U1~U4, quindi confermare premendo il pulsante di composizione.
- Selezionare il sesso, ruotare il selettore per selezionare ♂ (Maschio)/ ♀ (Femmina), confermare premendo il pulsante di composizione.
- Impostare l'età (A), ruotare il selettore per selezionare Impostazione intervallo: 1 ~ 99 (±1), quindi confermare premendo il pulsante di composizione.
- Impostare l'altezza (H), ruotare il selettore per selezionare Impostazione intervallo: 100~200 cm (±1), confermare premendo il pulsante di composizione.
- Impostare il peso (W), ruotare il selettore per selezionare Impostazione intervallo: 20~150 kg (±1), confermare premendo il pulsante di composizione.

!! NOTA

- L'impostazione dei parametri utente corretti è necessaria per:
 1. La corretta funzionalità del programma target della frequenza cardiaca.
 2. La corretta funzione di misurazione del grasso corporeo e del valore di BMI.
- La selezione di un utente determina quali "Programmi utente" verranno caricati. Vedere "Programmi utente"

Manualmente

- Utilizzare la funzione Su/Giù per selezionare il programma di allenamento, selezionare la modalità M (manuale), quindi Confermare premendo il pulsante di composizione.
- Utilizzare il manopola rotante per preimpostare il tempo di allenamento,
Impostazione intervallo: 1:00 ~ 23:59:00 minutes (± 1:00),
Confermare premendo il pulsante di composizione.
- Utilizzare il manopola rotante per preimpostare la distanza di allenamento,
Impostazione intervallo: 0.10 ~ 99.90 Km. (± 0.10),
Confermare premendo il pulsante di composizione.
- Utilizzare il manopola rotante per preimpostare le calorie di allenamento,
Impostazione intervallo: 10 ~ 9990 Cal. (± 10),
quindi Confermare premendo il pulsante di composizione.
- Utilizzare il manopola rotante per preimpostare un limite per il battito cardiaco,
Impostazione intervallo: 40 ~ 200 BPM (± 1),
quindi Confermare premendo il pulsante di composizione.
- Premere il tasto START/STOP per iniziare l'allenamento
- Utilizzare il manopola rotante per regolare il livello di resistenza. Il livello di carico viene visualizzato nella finestra LIVELLO.

!! NOTA

- Quando si impostano più obiettivi, l'allenamento si concluderà al primo obiettivo raggiunto.
- Lasciando un obiettivo vuoto, questo non sarà visto come un limite preimpostato.
- Quando si imposta un limite per il battito cardiaco, l'allenamento non si fermerà quando si supera il limite impostato. Un allarme acustico notificherà come avviso all'utente il superamento del limite.

Profilo programma 1~12

- Utilizzare la funzione Su/Giù per selezionare il programma di allenamento, selezionare uno dei profili predefiniti, quindi confermare premendo il pulsante di composizione.
- Utilizzare il manopola rotante per preimpostare il tempo di allenamento,
Impostazione intervallo: 1:00 ~ 23:59:00 minuti (± 1:00)
- Premere il tasto START/STOP per iniziare l'allenamento
- Utilizzare il manopola rotante per regolare il livello di resistenza. Il profilo completo verrà scalato in modo proporzionale. Il livello di carico viene visualizzato nella finestra LIVELLO.

Nella modalità Programma del profilo, la tensione verrà regolata automaticamente a un profilo predefinito.

!! NOTA

- La durata di ciascun segmento nel profilo è 1/20 del tempo di allenamento predefinito.
- Se non viene impostato alcun tempo di allenamento, la durata di ciascun segmento sarà 100 mtr., e il profilo verrà riavviato ripetutamente finché non viene fermato l'allenamento.

!! NOTA

- Una panoramica dei singoli profili di programma è disponibile nella sezione F, pubblicata dopo i disegni delle fasi di montaggio.

Controllo frequenza cardiaca

- Utilizzare la funzione Su/Giù per selezionare il programma di allenamento, selezionare HRC (icona cuore), quindi Confermare premendo il pulsante di composizione.
- Utilizzare il manopola rotante per impostare l'obiettivo HRC.
 - 55% = 55% della somma (220 meno *Età)
 - 75% = 75% della somma (220 meno *Età)
 - 90% = 90% della somma (220 meno *Età)
 - TA = Obiettivo (Predefinito 100)

*Età parametro deve essere impostato in "Impostazione dell'utente"

- Confermare premendo il pulsante di composizione.
- Per impostare il valore TA, utilizzare la funzione Su/Giù per impostare l'obiettivo (40~200), quindi Confermare premendo il pulsante di composizione.
- Utilizzare il manopola rotante per preimpostare il tempo di allenamento,
Impostazione intervallo: 1:00 ~ 23:59:00 minuti (± 1:00)
- Premere il tasto START/STOP per iniziare l'allenamento
- Utilizzare RESET per tornare al menu principale.

Nella modalità cardio, la tensione verrà regolata automaticamente a un'insensibilità in cui la frequenza cardiaca raggiunge l'obiettivo HRC predefinito.

!! NOTA

- Per poter funzionare, la modalità Cardio richiede un segnale di frequenza cardiaca.
- Il punto interrogativo e il simbolo con il cuore vengono mostrati nella finestra principale quando il segnale di frequenza cardiaca non viene ricevuto dalla console per la notifica.
- Quando la frequenza cardiaca è assente per più di 5 secondi, il programma si spegne automaticamente in modalità pausa.

⚠ CONSIGLIO RAPIDO

- Il programma "Controllo della frequenza cardiaca" funziona al meglio quando le impostazioni dell'utente sono impostate correttamente.

Controllo Watt (W)

- Utilizzare il manopola rotante per selezionare il programma di allenamento, selezionare Controllo Watt (W), quindi Confermare premendo il pulsante di composizione.
- Utilizzare il manopola rotante per impostare l'obiettivo Watt. 100 è il valore predefinito (10~350 ± 5), confermare premendo il pulsante di composizione.
- Utilizzare il manopola rotante per preimpostare il tempo di allenamento,
Impostazione intervallo: 1:00 ~ 23:59:00 minuti (± 1:00)
- Premere il tasto START/STOP per iniziare l'allenamento
- Utilizzare RESET per tornare al menu principale.

Nella modalità Watt, la tensione verrà regolata automaticamente a un'insensibilità in cui i Watt raggiungono l'obiettivo watt predefinito.

!! NOTA

- Il parametro Watt è un calcolo di RPM e livello di tensione. Quando RPM è maggiore, la tensione sarà minore. Quando RPM è minore, la tensione sarà maggiore.

Programmi utente (U)

Modalità di programmazione utente.

Selezionando un programma utente, questo si aprirà sempre in modalità di programmazione.

- Utilizzare il manopola rotante per selezionare il programma di allenamento, Selezionare il Profilo utente (U), quindi confermare premendo il pulsante di composizione.
- Utilizzare il manopola rotante per impostare il livello di tensione per il primo segmento di profilo. Confermare premendo il pulsante di composizione.
- Ripetere la parte rimanente dei livelli di tensione del segmento del profilo allo stesso modo.

!! NOTA

- Ogni segmento programmato e confermato premendo il pulsante "MODE" viene automaticamente memorizzato.
- Un programma utente pre-programmato non può essere cancellato, ma può essere sovrascritto in qualsiasi momento per aggiornare il profilo secondo le proprie esigenze.

Avviare un programma utente

- In modalità di programmazione, tenere premuto il tasto MODE per 2 secondi in qualsiasi fase della modalità di programmazione, per aprire la modalità di programmazione oraria.
- Utilizzare il manopola rotante per preimpostare il tempo di allenamento, Impostazione intervallo: 1:00 ~ 23:59:00 minuti (± 1:00)
- Premere il tasto START/STOP per iniziare l'allenamento
- Utilizzare RESET per tornare al menu principale.

Nella modalità di profilo Programma utente, la tensione verrà regolata automaticamente secondo un profilo predefinito.

La durata di ogni segmento nel profilo è 1/8 del tempo di allenamento predefinito.

!! NOTA

- Per ogni profilo utente è disponibile un solo programma utente. Vedere "Impostazione dell'utente"

Recovery (Recupero)

La funzione di recupero serve a registrare la condizione cardiaca misurando la velocità di recupero della frequenza cardiaca in battiti al minuto. Più velocemente la tua frequenza cardiaca scende al valore normale, migliore è la tua condizione.

Pertanto, questa funzione sarebbe meglio utilizzarla subito dopo l'allenamento.

- Il tasto RECUPERO sarà valido solo se viene rilevato un impulso.
- TIME mostrerà „0:60” (secondi) e farà il conteggio alla rovescia fino a 0.
- Il computer mostrerà da F1 a F6 dopo il conteggio alla rovescia per testare lo stato di recupero della frequenza cardiaca. L'utente può trovare il livello di recupero della frequenza cardiaca basandosi sullo schema qui sotto.
- Premere nuovamente il tasto RECUPERO per ritornare all'inizio.

Come leggere il risultato del test.

Il risultato si basa sulla propria condizione di frequenza cardiaca. Durante l'attività la frequenza cardiaca in battiti al minuto (bpm.) aumenta.

Al termine dell'esercizio la frequenza cardiaca si stabilizza sui valori normali. Quanto più velocemente si stabilizza la frequenza cardiaca, tanto migliore è la condizione del cuore.

Se la frequenza cardiaca scende di almeno 31 bpm nell'arco del minuto di test, il risultato sarà F1.

Se la frequenza cardiaca scende di 25~30 bpm nell'arco del minuto di test, il risultato sarà F2. E così via.

F1	Eccezionale	31 +
F2	Eccellente	25 ~ 30
F3	Buono	20 ~ 24
F4	Sopra la media	16 ~ 19
F5	Nella media	12 ~ 15
F6	Sotto la media	9 ~ 11
F7	Preoccupante	6 ~ 8
F8	Carente	3 ~ 5
F9	Molto carente	0 ~ 2
F0	Errore	Errore/ il risultato è negativo

!! NOTA

- I dati del risultato di "Recupero" possono essere utilizzati solo come riferimento personale e non hanno alcun valore medico.
- Se nell'arco del minuto di prova la frequenza cardiaca è aumentata, il display visualizzerà F0.

Body Fat (Grasso corporeo)

- Premere il tasto GRASSO CORPOREO per iniziare la misurazione del grasso corporeo.
- Durante la misurazione, gli utente devono tenere entrambe le mani sulle impugnature. LCD visualizza " - - - - " ~ " - - - - " per 8 secondi fino a quando il computer non terminerà la misurazione.
- LCD visualizzerà % di BMI e GRASSO.

Codici di errore modalità grasso corporeo

- *E-1: Non è stato rilevato nessun input di segnale di frequenza cardiaca.
- *E-4: Si verifica quando il risultato di FAT% e BMI è inferiore a 5 o supera 50.

⚠ CONSIGLIO RAPIDO

- La funzione di misurazione "Grasso corporeo e BMI" funziona al meglio quando le impostazioni dell'utente sono impostate correttamente.

Bluetooth & APP

- Questa console può collegare una APP al dispositivo smart tramite Bluetooth (iOS & Android).
- Una volta che la console è collegata al dispositivo smart tramite Bluetooth, la console si spegnerà.
- Quando viene stabilita la connessione Bluetooth tra APP e console, il display della console sarà oscurato.

!! NOTA

- Tunturi fornisce solo l'opzione per collegare la vostra console fitness tramite un collegamento bluetooth. Quindi Tunturi non può essere ritenuta responsabile di eventuali danni o malfunzionamento di prodotti che non siano prodotti Tunturi.
- Controllare il sito web per ulteriori informazioni.

Questa console può ricevere un trasmettitore di frequenza cardiaca Bluetooth. Non è necessario associare il dispositivo, poiché la console rileverà automaticamente il trasmettitore della frequenza cardiaca quando si trova nel raggio d'azione.

Pulizia e manutenzione

L'apparecchio non richiede manutenzione speciale. L'apparecchio non richiede ricalibrazione quando viene assemblato, utilizzato e sottoposto a assistenza in conformità con le istruzioni.

⚠ ATTENZIONE

- Prima di qualsiasi intervento di pulizia e manutenzione, rimuovere l'adattatore.
 - Non utilizzare solventi per pulire l'apparecchio.
 - La pulizia e la manutenzione da parte dell'utente non devono essere eseguite da bambini senza supervisione.
- Pulire l'apparecchio con un panno morbido e assorbente dopo ogni uso.
 - Verificare regolarmente che tutte le viti e i dadi siano serrati.
 - Se necessario, lubrificare i raccordi.

Difetti e malfunzionamenti

Nonostante il costante controllo di qualità, i singoli componenti possono causare difetti e malfunzionamenti all'apparecchio. Nella maggior parte dei casi, è sufficiente sostituire i componenti difettosi.

- Se l'apparecchio non funziona correttamente, contattare immediatamente il rivenditore.
- Fornire il numero di modello e il numero di serie dell'apparecchio al rivenditore. Comunicare la natura del problema, le condizioni d'uso e la data d'acquisto.

Risoluzione dei problemi:

- Se non c'è segnale durante l'allenamento, controlla se il cavo è collegato.

!! NOTA

- Se il computer visualizza informazioni in modo anomalo, reinstallare il trasformatore e riprovare.

Sensazione di instabilità o instabilità durante l'uso

Se la macchina si sente instabile o instabile durante il funzionamento, è consigliabile regolare i piedini di supporto per portare il telaio all'altezza corretta. Leggi le istruzioni in questo manuale nella sezione: "Uso"

Trasporto e stoccaggio

⚠ ATTENZIONE

- Prima di trasportare e riporre l'apparecchio, rimuovere l'adattatore.
 - Per trasportare e spostare l'apparecchio sono necessarie almeno due persone.
- Posizionarsi in piedi davanti all'apparecchio da entrambi i lati e afferrare saldamente le impugnature. Sollevare la parte anteriore dell'apparecchio in modo da sollevare il retro sulle ruote. Spostare l'apparecchio e abbassarlo con cura. Collocare l'apparecchio su una base protettiva per evitare danni alla superficie del pavimento.
 - Spostare l'apparecchiatura con attenzione sulle superfici irregolari. Non spostare l'apparecchio al piano superiore utilizzando le ruote ma sostenerlo per le impugnature.
 - Riporre l'apparecchio in un luogo asciutto con la minore variazione di temperatura possibile.

Garanzia

Garanzia dell'attrezzo sportivo Tunturi

Condizioni di garanzia

Il consumatore beneficia dei diritti legali applicabili previsti dalla legislazione nazionale in materia di commercio di beni di consumo. La garanzia non limita tali diritti. La Garanzia dell'acquirente è valida solo se l'articolo viene utilizzato in un ambiente approvato da Tunturi New Fitness BV per quel determinato attrezzo. Le istruzioni relative all'ambiente e di manutenzione specifiche per il prodotto sono riportate nel "manuale utente" del prodotto. Il "manuale utente" può essere scaricato dal nostro sito web. <http://manuals.tunturi.com>

Condizioni per la garanzia

La garanzia entra in vigore dalla data dell'acquisto dell'attrezzo. Le condizioni per la garanzia possono variare in funzione del paese. Rivolgersi al rivenditore di zona per maggiori informazioni sulle condizioni per la garanzia.

Copertura della garanzia

L'azienda Tunturi Ltd ed i suoi rappresentanti non rispondono per nessun motivo dei danni indiretti causati all'acquirente dall'attrezzo. Per danni indiretti s'intendono quelli relativi al mancato sfruttamento dell'attrezzo, mancato guadagno o altri danni di natura economica.

Limiti di garanzia

La garanzia copre i difetti di materiale e fabbrica dell'attrezzo che si manifestano subito dopo l'acquisto. La garanzia copre solo i difetti che si manifestano durante l'uso normale e conforme alle istruzioni del manuale di installazione, manutenzione ed uso fornito da Tunturi. L'azienda Tunturi Ltd ed i suoi rivenditori non rispondono dei danni causati da eventi al di fuori del loro controllo. La garanzia riguarda solo il proprietario originario dell'attrezzo ed è in vigore solo in quei paesi in cui Tunturi Ltd dispone di un proprio rappresentante autorizzato.

La garanzia non copre i difetti di quegli attrezzi o componenti che sono stati modificati senza l'espressa autorizzazione del fabbricante Tunturi Ltd. La garanzia non copre i difetti causati dalla normale usura, da un uso in condizioni non previste, dalla corrosione, dalla movimentazione e dal trasporto.

La garanzia non copre rumori o suoni emessi durante l'uso a meno che non impediscano l'uso dell'attrezzo e che non siano causati da un guasto all'attrezzo stesso.

La garanzia non comprende nemmeno i normali interventi di servizio dell'attrezzo, come per esempio la pulizia, lubrificazione, controllo periodico dei componenti né le piccole installazioni che può effettuare il cliente stesso e che non richiedono lo smontaggio/montaggio dell'attrezzo. Questi interventi sono, per esempio, la sostituzione del pannello, dei pedali o di altri componenti analoghi. La garanzia non copre gli interventi di riparazione previsti, se non vengono eseguiti da un rappresentante autorizzato Tunturi. Se sbagliate a seguire le istruzioni del manuale d'uso, decade subito la garanzia sul prodotto.

Dati tecnici

Parametro	Unità di misura	Valore
Lunghezza	cm inch	120.5 47.4
Larghezza	cm inch	59.5 23.4
Altezza	cm inch	146.5 57.7
Peso	kg lbs	37.5 82.7
Peso massimo utente	kg lbs	150.0 330.0
Specifiche di uscita del trasformatore	Voltaggio Ampere	9V-DC 2.0 A
Misurazione della frequenza cardiaca disponibile tramite:	Contatto impugnatura 5.0 Khz 5,3 Khz. Bluetooth (BLE) ANT+	Si No No Si No

Dichiarazione del fabbricante

Tunturi New Fitness BV dichiara che il Signature E50 Cyclette verticale è conforme alle seguenti norme e direttive:

- Direttiva RoHS (2011/65/EU)
- Regolamento generale sulla sicurezza dei prodotti (GPSR) – (EU) 2023/988

Con la presente, Tunturi New Fitness BV dichiara che il Rullo per Signature E50 Cyclette verticale di tipo apparecchiatura radio è conforme alla Direttiva 2014/53/EU.

La dichiarazione di conformità, comprensiva di tutte le norme e direttive, può essere scaricata dal nostro sito web:
<https://doc.tunturi.com>

Tunturi New Fitness BV
Purmerweg 1
1311 XE Almere
Paesi Bassi

Clausola di esonero della responsabilità

© 2025 Tunturi New Fitness BV
Tutti i diritti riservati.

- Il prodotto e il manuale sono soggetti a modifiche.
- Le specifiche tecniche possono essere modificate senza preavviso.
- Vedere il nostro sito Web per la versione del manuale più recente.

Español

Este manual español es una traducción del texto inglés. No se pueden derivar derechos de esta traducción. El texto original en inglés prevalecerá.

Índice

¡Bienvenido	69
Advertencias de seguridad.....	69
Seguridad eléctrica	70
Instrucciones de montaje.....	70
Descripción de la ilustración A.....	70
Descripción de la ilustración B.....	70
Descripción de la ilustración C.....	70
Descripción de la ilustración D.....	70
Información adicional de montaje.....	70
Información ambiental adicional.....	71
Sesiones de ejercicio	71
Ejercicio Instrucciones.....	71
Del ritmo cardíaco.....	71
Uso	72
Ajuste de las patas de apoyo.....	72
Ajuste de la consola	72
Ajuste de la posición del sillín horizontal.....	72
Ajuste de la posición del sillín vertical	73
Ajuste del manillar.....	73
Fuente de alimentación	73
Consola.....	73
Explicación de las funciones de pantalla	73
Explicación de los botones	74
Funcionamiento	75
Programas	75
Configurar usuario.....	75
Manualmente	75
Perfil de programa 1 ~ 12.....	76
Control de ritmo cardíaco	76
Control de vatios (W).....	76
Programa de usuario (U).....	76
Recovery (Recuperación).....	77
Body Fat (Grasa corporal)	77
Bluetooth & APP	77
Limpieza y mantenimiento.....	78
Defectos y fallos.....	78
Transporte y almacenamiento.....	78
Garantía.....	78
Datos técnicos	79
Declaración del fabricante	79
Descargo de responsabilidad	79

¡Bienvenido

¡Bienvenido al mundo de Tunturi Fitness!

Le agradecemos la compra de esta máquina Tunturi. Tunturi ofrece una amplia gama de máquinas de fitness profesionales como bicicletas elípticas, cintas de correr, bicicletas de ejercicio, bancos de fuerza y estaciones múltiples. La máquina Tunturi es adecuada para toda la familia, independientemente del nivel de forma física. Si desea información adicional, visite nuestro sitio web www.tunturi.com

Información y precauciones

Este manual es una parte esencial del equipo de entrenamiento. Lea todas las instrucciones de este manual antes de comenzar a utilizar el equipo. Se deberán observar siempre las siguientes precauciones:

Advertencias de seguridad**⚠ ADVERTENCIA**

- Lea las advertencias de seguridad y las instrucciones. De no seguirse las advertencias de seguridad y las instrucciones pueden producirse lesiones personales o daños en la máquina. Conserve las advertencias de seguridad y las instrucciones para su consulta posterior.

⚠ ADVERTENCIA

- Los sistemas de motorización de frecuencia cardíaca pueden ser imprecisos. Un exceso de ejercicio puede provocar lesiones graves o incluso la muerte. Si se siente mareado, deje de hacer ejercicio inmediatamente.
- La máquina es adecuada únicamente para uso doméstico. La máquina no es adecuada para un uso comercial.
- El uso máx. Está limitado a 5 horas al día
- Este aparato puede ser utilizado por niños mayores de 8 años y por personas con capacidades físicas, sensoriales o mentales reducidas o con falta de experiencia y conocimientos, si han recibido supervisión o instrucciones sobre el uso del aparato de forma segura y comprenden los peligros que conlleva.
- Se debe supervisar a los niños para garantizar que no jueguen con el aparato.
- Antes de empezar a hacer ejercicio, consulte con un médico para comprobar su estado de salud.
- Si experimenta náuseas, mareos u otros síntomas anormales, deje de hacer ejercicio inmediatamente y consulte con un médico.
- Para evitar dolor y tensión muscular, realice un calentamiento antes de empezar a hacer ejercicio y termine haciendo relajación. Recuerde hacer estiramientos al final de la sesión de ejercicio.
- La máquina es adecuada únicamente para uso en interior. La máquina no es adecuada para un uso en exterior.
- Utilice la máquina únicamente en lugares con una ventilación adecuada. No utilice la máquina en lugares donde haya corriente para no resfriarse.
- Utilice la máquina únicamente en lugares con una temperatura ambiente entre 10 °C y 35 °C. Almacene la máquina únicamente en lugares con una temperatura ambiente entre 5 °C y 45 °C.
- No utilice ni almacene la máquina en espacios húmedos. La humedad del aire no debe ser superior al 80%.
- Utilice la máquina sólo para su uso previsto. No la utilice para otros fines que no sean los descritos en el manual.
- La máquina no debe utilizarse si alguna de las piezas ha sufrido daños o tiene algún defecto. Contacte con su proveedor si alguna de las piezas ha sufrido daños o tiene algún defecto.
- Mantenga las manos, los pies y demás partes del cuerpo alejadas de las piezas móviles.

- Mantenga el pelo alejado de las piezas móviles.
- Lleve ropa y calzado adecuado.
- Mantenga la ropa, las joyas y otros objetos alejados de las piezas móviles.
- Asegúrese de que sólo una persona utilice la máquina cada vez. La máquina no debe ser utilizada por personas cuyo peso supere los 135 kg (300 lbs).
- No abra la máquina sin consultar con su proveedor.

Seguridad eléctrica

- Antes del uso, compruebe siempre que la tensión de red sea la misma que la tensión indicada en la placa de características de la máquina.
- No utilice un cable alargador.
- Mantenga el cable de red alejado del calor, de aceite y de bordes afilados.
- No altere ni modifique el cable de red o el enchufe de red.
- No utilice la máquina si el cable de red o el enchufe de red ha sufrido daños o tiene algún defecto. Si el cable de red o el enchufe de red ha sufrido daños o tiene algún defecto, contacte con su proveedor.
- Desenrolle siempre el cable de red en su totalidad.
- No pase el cable de red debajo de la máquina. No pase el cable de red debajo de una alfombra. No coloque ningún objeto sobre el cable de red.
- Asegúrese de que el cable de red no cuelgue sobre el borde de una mesa. Asegúrese de que el cable de red no quede atrapado y que no sea posible tropezarse con él.
- No deje la máquina desatendida cuando el enchufe de red esté insertado en la toma de pared.
- No tire del cable de red para sacar el enchufe de la toma de pared.
- Retire el enchufe de red de la toma de pared cuando la máquina no se esté utilizando, antes del montaje o el desmontaje o antes de la limpieza y el mantenimiento.

⚠ ADVERTENCIA

- No use nunca agua o cualquier otro líquido directamente en o cerca del equipo, utilice solo un paño húmedo si se requiere humedad para limpiar la máquina.
- El uso directo de líquido es perjudicial para los componentes del equipo y puede provocar una descarga eléctrica a causa de un cortocircuito. Esto podría provocar lesiones personales graves o incluso la muerte.
- El aparato solo debe utilizarse con la fuente de alimentación suministrada con el mismo.

Instrucciones de montaje

Descripción de la ilustración A

La ilustración muestra cuál debe ser el aspecto de la máquina una vez completado el montaje.

Puede utilizar esta ilustración como referencia durante el montaje, pero siga siempre los pasos de montaje en el orden correcto como se muestra en las ilustraciones.

Descripción de la ilustración B

La ilustración muestra los componentes y las piezas que debe encontrar al desembalar el producto.

!! ATENCIÓN !!

- Las piezas de pequeño tamaño pueden estar ocultas o embaladas en espacios huecos del sistema de protección de poliestireno extruido del producto

Descripción de la ilustración C

La ilustración muestra el juego de tornillería que se suministra con el producto.

El juego de tornillería contiene pernos, arandelas, tornillos, tuercas, etc. y las herramientas necesarias para montar correctamente la máquina.

Descripción de la ilustración D

Las ilustraciones muestran cómo montar mejor la máquina en el orden correcto.

⚠ ADVERTENCIA

- Monte la máquina en el orden indicado.
- Al menos dos personas deben transportar y mover la máquina.

⚠ PRECAUCIÓN

- Coloque la máquina sobre una superficie firme y nivelada.
- Coloque la máquina sobre una base protectora para evitar daños en la superficie del suelo.
- Deje unos 100 cm de espacio alrededor de la máquina.
- Consulte las ilustraciones para el correcto montaje de la máquina.

Información adicional de montaje

D3 Cómo montar los pedales correctamente.

!! ATENCIÓN !!

- El lado derecho e izquierdo se determinan desde la perspectiva de las posiciones de ejercicio.

Pedal derecho

Localice la marca "R" o "L" en el eje del pedal

- Monte el pedal derecho "R" en la biela derecha.
- Primero, gire el eje del pedal a mano en sentido de las agujas del reloj.
- Utilice la llave para apretar el pedal por completo.

Pedal izquierdo

- Monte el pedal izquierdo "L" en la biela izquierda.
- Primero, gire el eje del pedal a mano en sentido contrario a las agujas del reloj.
- Utilice la llave para apretar el pedal por completo.



Haga clic para ver nuestro video de ayuda en YouTube
<https://youtu.be/3BiN9mc5Tmw?t=101>

Información adicional sobre el Paso de montaje D4 & D5

- Establezca la conexión entre el cable que sale del bastidor principal y la parte inferior del cable preinstalado en el tubo vertical.
- Instale el tubo vertical por encima del soporte de fijación del bastidor principal, donde están premontados y se mantienen los pernos de fijación.
(A la vez que va bajando el tubo vertical, tire suavemente de la parte superior del cable hacia arriba para evitar que se enganche con la conexión).
- El tubo vertical se debe colocar automáticamente en posición central, pero se recomienda corregirla si es necesario para asegurarse de que la posición sea la adecuada.
- La posición es correcta si los pernos de fijación quedan perfectamente centrados y en paralelo con los orificios del tubo vertical.

!! ATENCIÓN:

- Asegure el conector del cable en el soporte para evitar que se pellizque la conexión del cable entre estas dos partes.
 - Al apretar los dos pernos (en dirección opuesta a las agujas del reloj) en la parte delantera se abre el soporte de fijación, por lo que se fija con firmeza el tubo vertical.
- Para fijar bien el tubo vertical es necesario apretar primero el perno de la parte superior.
 - Una vez fijado el perno superior, deberá hacer lo propio con el perno inferior.
 - Al fijar el perno inferior, se moverá un poco el tubo vertical, lo que permitirá apretar un poco más el perno superior: hágalo.
 - Repita estos pasos hasta que los dos pernos queden bien apretados para garantizar la correcta fijación del tubo vertical.



Haga clic para ver nuestro video de ayuda en YouTube
<https://youtu.be/3BiN9mc5Tmw?t=180>

!! NOTA

- Guarde las herramientas suministradas con este producto una vez que haya completado el montaje del producto, para futuros fines de servicio.

Información ambiental adicional**Eliminación de embalajes**

Las pautas gubernamentales exigen reducir la cantidad de residuos que se depositan en los basureros. Por este motivo, le rogamos que deseche los embalajes de manera responsable en centros públicos de reciclaje.

Eliminación al final de la vida útil

Desde Tunturi esperamos que disfrute de su equipo de entrenamiento durante muchos años. No obstante, llegará un momento en que éste llegue al final de su vida útil. Conforme a la Directiva WEEE (relativa a la gestión de residuos procedentes de equipos eléctricos y electrónicos) le corresponde a usted la responsabilidad de desechar adecuadamente su equipo de entrenamiento en un centro público autorizado de recogida.

Sesiones de ejercicio

La sesión de ejercicio debe ser ligera, pero de larga duración. El ejercicio aeróbico se basa en mejorar el consumo de oxígeno máximo del cuerpo, lo que a su vez mejora la resistencia y la forma física. Debe transpirar, pero no debe quedarse sin aliento durante la sesión de ejercicio. Para lograr y mantener un nivel de forma física básico, debe realizar ejercicio al menos tres veces a la semana, 30 minutos cada vez. Aumente el número de sesiones de ejercicio para mejorar su nivel de forma física. Vale la pena combinar el ejercicio regular con una dieta sana. Una persona que se encuentre a dieta debe realizar ejercicio a diario, al principio 30 minutos o menos cada vez, aumentando gradualmente el tiempo de ejercicio diario hasta una hora. Empiece la sesión de ejercicio a velocidad baja y resistencia baja para evitar que el sistema cardiovascular se vea sometido a una tensión excesiva. A medida que mejore el nivel de forma física, pueden aumentarse gradualmente la velocidad y la resistencia. La eficiencia de su ejercicio puede medirse supervisando su frecuencia cardíaca y sus pulsaciones.

Ejercicio Instrucciones

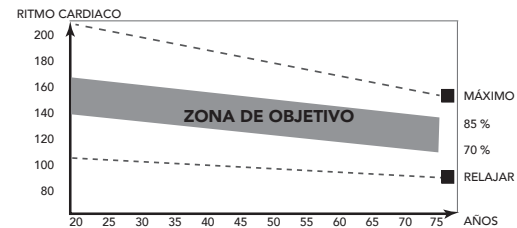
El uso de su entrenador le aportará muchas ventajas, mejorará su tono físico, tonificará los músculos y, combinado con una dieta con un consumo controlado de calorías, le ayudará a perder peso.

Fase de calentamiento

Esta fase mejora la circulación y favorece el buen funcionamiento de los músculos. Asimismo, reduce el riesgo de calambres y de lesiones musculares. Es conveniente realizar una serie de ejercicios de estiramiento, como se muestra más abajo. Al estirar se debe mantener la posición durante unos 30 segundos; no fuerce los músculos ni realice movimientos bruscos para estirarlos, si duele, PARE inmediatamente.

Fase de ejercicio

Esta es la fase de esfuerzo. Tras un uso regular, los músculos de las piernas irán ganando flexibilidad. Es importante mantener un ritmo estable durante toda esta fase. El ejercicio debe ser lo suficientemente fuerte como para incrementar el ritmo cardíaco hasta el objetivo que se muestra en el siguiente cuadro.



Esta fase debe tener una duración mínima de 12 minutos, aunque la mayoría de las personas empiezan a los 15-20 minutos.

Fase de enfriamiento

La finalidad de esta fase es permitir que se relaje el sistema cardiovascular y los músculos. Es una repetición del ejercicio de calentamiento, por lo que debe ir reduciendo el ritmo de manera constante durante unos 5 minutos. En este momento debe repetir también los ejercicios de estiramiento, evitando de nuevo forzar los músculos o hacer movimientos bruscos.

A medida que vaya mejorando su forma física, es posible que el entrenamiento tenga que ser más largo e intenso. Es aconsejable entrenarse al menos tres veces a la semana, espaciando de manera uniforme, en la medida de lo posible, los entrenamientos durante la semana.

Tonificación muscular

Si quiere tonificar los músculos mientras trabaja con el aparato, deberá ajustar la resistencia en un nivel bastante alto. Así aumentará la tensión sobre los músculos de las piernas, con lo que es posible que no pueda entrenarse durante todo el tiempo que le gustaría. Si quiere mejorar su condición física, tendrá que modificar también el programa de entrenamiento. El entrenamiento durante las fases de calentamiento y enfriamiento será igual, pero debe aumentar la resistencia hacia el final de la fase de ejercicio para incrementar el esfuerzo del tren inferior. Tendrá que reducir la velocidad para mantener el ritmo cardíaco en la zona objetivo.

Pérdida de peso

El factor determinante en este sentido es el esfuerzo realizado. Cuanto más intenso y prolongado sea el ejercicio físico, más calorías quemará. En realidad, es lo mismo que si se entrenara para mejorar la condición física, lo que cambia es el objetivo.

Del ritmo cardíaco**Medición de las pulsaciones (sensor de pulsaciones de mano)**

Las pulsaciones se miden con unos sensores en los manillares cuando el usuario toca ambos sensores al mismo tiempo. ligeramente húmeda y tocar constantemente los sensores de pulsaciones de mano. Si la piel está demasiado seca o demasiado húmeda, la medición de las pulsaciones puede resultar menos precisa.

!! NOTA

- No utilice los sensores de pulsaciones de mano en combinación con una correa en el pecho para la frecuencia cardíaca.
- Si define un límite de frecuencia cardíaca para su sesión de ejercicio, cada vez que éste se supere sonará una alarma.

**Medición de la frecuencia cardíaca
(correa en el pecho para la frecuencia cardíaca)****!! NOTA**

- Una correa de pecho no viene de serie con este entrenador. Cuando te gusta usar una correa de cofre inalámbrica, debes comprarla como accesorio.

La medición más precisa de la frecuencia cardíaca se logra con una correa en el pecho para la frecuencia cardíaca. La frecuencia cardíaca se mide con un receptor de frecuencia cardíaca en combinación con una correa transmisora de la frecuencia cardíaca. Para una medición precisa de la frecuencia cardíaca es necesario que los electrodos de la correa transmisora estén ligeramente húmedos y que toquen constantemente la piel. Si los electrodos están demasiado secos o demasiado húmedos, la medición de la frecuencia cardíaca puede resultar menos precisa.

⚠ ADVERTENCIA

- Si usted tiene un marcapasos, consulte con un médico antes de utilizar una correa en el pecho para la frecuencia cardíaca.

⚠ PRECAUCIÓN

- Si hay varios dispositivos de medición de frecuencia cardíaca en proximidad, asegúrese de que la distancia entre ellos sea de al menos 2 metros.
- Si sólo hay un receptor de frecuencia cardíaca y varios transmisores, asegúrese de que sólo una persona con un transmisor se encuentre en la zona de transmisión.

!! NOTA

- No utilice una correa en el pecho para la frecuencia cardíaca en combinación con sensores de pulsaciones de mano.
- Lleve siempre la correa en el pecho para la frecuencia cardíaca debajo de la ropa, en contacto directo con la piel. No lleve la correa en el pecho para la frecuencia cardíaca por encima de la ropa. Si lleva la correa en el pecho para la frecuencia cardíaca por encima de la ropa, no habrá señal.
- Si define un límite de frecuencia cardíaca para su sesión de ejercicio, cada vez que éste se supere sonará una alarma.
- El transmisor transmite la frecuencia cardíaca a la consola hasta una distancia de 1,5 metro. Si los electrodos no están húmedos, la frecuencia cardíaca no aparece en la pantalla.
- Algunas fibras de la ropa (p. ej. poliéster, poliamida) generan electricidad estática, la cual puede impedir la medición precisa de la frecuencia cardíaca.
- Los teléfonos móviles, las televisiones y otros aparatos eléctricos generan un campo electromagnético que puede impedir la medición precisa de la frecuencia cardíaca.

**Frecuencia cardíaca máxima
(durante el entrenamiento)**

alcanzar una persona de forma segura por la tensión del ejercicio. Se utiliza la siguiente fórmula para calcular la frecuencia cardíaca máxima media: $220 - \text{EDAD}$. La frecuencia cardíaca máxima varía según la persona.

⚠ ADVERTENCIA

- Asegúrese de no superar la frecuencia cardíaca máxima durante la sesión de ejercicio. Si usted se encuentra en un grupo de riesgo, consulte con un médico.

Principiante**50-60% de frecuencia cardíaca máxima**

Adecuada para principiantes, personas que cuidan la línea, convalecientes y personas que no han hecho ejercicio en mucho tiempo. Haga ejercicio al menos tres veces a la semana, 30 minutos cada vez.

Avanzado**60-70% de frecuencia cardíaca máxima**

Adecuada para personas que desean mejorar y mantener la forma física. Haga ejercicio al menos tres veces a la semana, 30 minutos cada vez.

Experto**70-80% de frecuencia cardíaca máxima**

Adecuado para personas con muy buena forma física que están acostumbradas a sesiones de ejercicio de gran resistencia.

Uso**Ajuste de las patas de apoyo**

El equipo está equipado con patas de apoyo ajustables. Si el equipo parece estar inestable, poco firme o no está bien nivelado, estas patas de apoyo se podrán ajustar para realizar las correcciones necesarias.

- Gire las patas de apoyo hacia adentro o hacia afuera según sea necesario para colocar el equipo en una posición estable y lo más nivelada posible.
- Apriete las contratueras* para bloquear las patas de apoyo.

!! ATENCIÓN!

- El equipo es más estable cuando está lo más cerca posible del suelo. Por lo tanto, comience a nivelar el equipo girando todas las patas de apoyo completamente hacia adentro, antes de girar las patas necesarias para estabilizar y nivelar el equipo.



Haga clic para ver nuestro video de ayuda en YouTube
<https://youtu.be/3BiN9mc5Tmw?t=535>

Ajuste de la consola

El ángulo de visión de la consola puede ajustarse en función de la altura y la posición de ejercicio del usuario.

- Ajuste la consola libremente a la posición deseada sin necesidad de soltar la posición de la fijación.
- El soporte de sujeción de la consola es un sistema de fijación automática.

!! ATENCIÓN!

- Cuando la consola no pueda mantener firmemente la posición deseada, puede apretar fácilmente la fijación.
- Retire las tapas redondas de los extremos del pivote y apriete ligeramente los tornillos expuestos hasta alcanzar el apriete deseado, en el que la consola se sujete firmemente, pero con la suavidad suficiente para ajustar el ángulo de visión.

Ajuste de la posición del sillín horizontal

La posición del sillín horizontal puede ajustarse situando el sillín en la posición deseada.

- Afloje el pomo de ajuste del sillín.
- Mueva el sillín a la posición deseada.
- Apriete el pomo de ajuste del sillín.

Ajuste de la posición del sillín vertical

La posición del sillín vertical puede ajustarse situando el tubo del sillín en la posición deseada. Con la pierna casi recta, el arco del pie debe tocar el pedal en su punto más bajo.

- Afloje el pomo de ajuste del tubo del sillín.
- Mueva el tubo del sillín a la posición deseada.
- Apriete el pomo de ajuste del tubo del sillín.



Haga clic para ver nuestro video de ayuda en YouTube
<https://youtu.be/3BiN9mc5Tmw?t=486>

Ajuste del manillar

El manillar puede ajustarse en función de la altura y la posición de ejercicio del usuario.

- Afloje el pomo de ajuste del manillar.
- Mueva el manillar a la posición deseada.
- Apriete el pomo de ajuste del manillar.

!! ATENCIÓN!

- La empuñadura de ajuste del manillar está equipada con un sistema accionado por resorte que facilita su colocación justo después de fijar el manillar.
- Tire de la empuñadura hacia fuera, mientras presiona con el pulgar el botón central para moverla libremente. Suelte para activar de nuevo la función de fijación/desbloqueo.

Fuente de alimentación

El entrenador se alimenta desde una fuente de alimentación externa. Consulte la ilustración para ubicar la entrada de alimentación del entrenador. (Fig. E)

!! NOTA

- Conecte la fuente de alimentación al entrenador antes de enchufarlo a una toma de corriente de la pared.
- Quite siempre el cable de alimentación cuando no utilice la máquina.

Consola



1. Pantalla
2. Soporte de tableta/libro
3. Botones
4. Puerto de carga USB

⚠ PRECAUCIÓN

- Mantenga la consola alejada de la luz solar directa.
- Seque la superficie de la consola cuando esté cubierta de gotas de sudor.

- No se apoye en la consola.
- Toque la pantalla únicamente con la punta del dedo. Asegúrese de no tocar la pantalla con las uñas ni objetos afilados.

!! NOTA

- La consola pasa al modo de espera activa cuando la máquina no se usa durante 4 minutos.

Explicación de las funciones de pantalla

Time (Tiempo)

- Si no se establece el valor objetivo, se continuará contabilizándose el tiempo.
- Al establecer el valor objetivo, se restará el tiempo del valor objetivo de tiempo hasta 0 con un sonido de alarma o un destello. El tiempo continuará contabilizándose si no se detiene el entrenamiento una vez alcanzado el objetivo.
- Rango de visualización: 00:00:00 ~ 23:59:59.

La pantalla adicional de tiempo (bajo el soporte de la tableta) replicará la ventana de la hora, limitándose a mostrar sólo minutos y segundos.

Speed (Velocidad)

- Muestra la velocidad actual del entrenamiento.
- Rango de visualización: 0.0 ~ 99.9 km/h.
- Si no se transmite ninguna señal al monitor durante 4 segundos de duración de un ejercicio, VELOCIDAD mostrará "0.0"

La pantalla adicional de velocidad (bajo el soporte de la tableta) replicará la ventana principal de velocidad.

RPM

- Muestra las rotaciones por minuto
- Rango de visualización: 0 - 15 ~ 999 RPM.
- Si no se transmite ninguna señal al monitor durante 4 segundos de duración de un ejercicio, RPM mostrará "0"

Watt (Vatios)

- Muestra los vatios del ejercicio actual.
- Rango de visualización: 0 ~ 999 Watt.

- ▲ El símbolo aparece en la ventana de Level cuando el objetivo de vatios fijado es inferior a la salida de vatios del entrenamiento actual. Pedaleas demasiado rápido o el objetivo fijado es demasiado bajo.
- ▼ El símbolo aparece en la ventana de Level cuando el objetivo de vatios fijado es superior a la salida de vatios del entrenamiento actual. Pedaleas demasiado lento o el objetivo fijado es demasiado alto.

Level

- Muestra el ajuste del nivel de tensión, al ajustar la resistencia, durante 3 segundos.
- ▲ El símbolo parpadeará en la ventana de nivel cuando esté entrenando en un perfil preprogramado 3 segundos antes de que suba el nivel de tensión para avisarle de un próximo aumento de tensión tras el perfil.
- ▼ El símbolo parpadeará en la ventana de nivel cuando esté entrenando en un perfil preprogramado 3 segundos antes de que baje el nivel de tensión para avisarle de que va a bajar la tensión después del perfil.

!! NOTA

- Si no se fija ningún objetivo de tiempo, los símbolos de flecha arriba/abajo no notificarán el ajuste de resistencia 3 segundos antes del cambio de resistencia.

Distance (Distancia)

- Si no se establece el valor objetivo, se continuará contabilizándose la distancia.
- Al establecer el valor objetivo, se restará la distancia del valor objetivo de distancia hasta 0 con un sonido de alarma o un destello.
La distancia continuará contabilizándose si no se detiene el entrenamiento una vez alcanzado el objetivo.
- Rango de visualización: 0.00 ~ 99.99 KM.

La pantalla adicional de distancia (bajo el soporte de la tableta) replicará la ventana principal de distancia.

Calories (Calorías)

- Si no se establece el valor objetivo, se continuará contabilizándose calorías.
- Al establecer el valor objetivo, se restarán calorías del valor objetivo de calorías hasta 0 con un sonido de alarma o un destello.
Las calorías continuarán contabilizándose si no se detiene el entrenamiento una vez alcanzado el objetivo.
- Rango de visualización: 0 ~ 999 calorías.

!! NOTA

- Estos datos son una guía aproximada para la comparación de distintas sesiones de ejercicios que no pueden utilizarse en tratamientos médicos

Pulse (Pulso)

- El pulso actual se presentará en pantalla después de 6 segundos de haber sido detectado por la consola.
- Si no hay ninguna señal de pulso durante 6 segundos, la consola mostrará "P".
- La alarma de pulso sonará cuando el pulso actual sea superior al pulso objetivo.
- Rango de visualización: 0 - 40 ~ 200 BPM

!! ATENCIÓN!

- El icono de pulso rojo parpadeará cuando se reciba una frecuencia cardiaca. Tardará unos segundos en mostrar la frecuencia cardiaca en forma de cifra debido al proceso de cálculo de la media necesario.
- El valor medido no puede utilizarse como criterio médico.

La pantalla de pulso adicional (bajo el soporte de la tableta) replicará la ventana de pulso principal.

Pantalla de zona de frecuencia cardiaca de 4 colores.

La pantalla de frecuencia cardiaca de 4 colores muestra su zona de frecuencia cardiaca en función de la edad establecida por el usuario en porcentaje.

El cálculo es el siguiente.

Mide la FC dividida por la Máx. FC, multiplica el resultado por 100.

Frecuencia cardiaca máxima para hombres (220 - Edad)

Frecuencia cardiaca máxima para mujeres (226 - Edad)

BAI™

- Visualización consumo BAI valor BAI durante el entrenamiento.
- Rango de visualización 0 ~ 999

!! NOTA

- BAI (índice de actividad corporal, por sus siglas en inglés) es la suma del volumen de entrenamiento efectivo.
- Volumen de entrenamiento = intensidad de entrenamiento x tiempo de entrenamiento.

BAI calcula el volumen de entrenamiento efectivo basándose en su ritmo cardíaco, edad, sexo y duración.

Durante el ejercicio, podrá ver cómo BAI se va acumulando. En cuanto termine una sesión de ejercicio, podrá obtener unos puntos BAI totales de esta sesión, que será el volumen de entrenamiento efectivo total de esta sesión.

Si entrena más fuerte, con un ámbito de ritmo cardíaco más elevado, conseguirá puntos BAI más deprisa. Si entrena más suavemente, con un ámbito de ritmo cardíaco más bajo, conseguirá puntos BAI despacio.

Le recomendamos que entrene de forma que acumule 100 puntos BAI todas las semanas para así mejorar su capacidad de ejercicio cardiovascular.

Pantalla central

- La fila superior muestra los perfiles de los programas.
- La esquina superior derecha muestra el usuario seleccionado (U1, U2, U3, U4)
- La pantalla de puntos inferior mostrará gráficamente la curva de intensidad del perfil del programa.
* En control de tensión: Cada punto representa 2 niveles de tensión.
* En modo HRC: Cada punto representa un nivel de tensión como si estuviera controlado por tensión.
* En modo vatios: Cada punto representa un nivel de tensión como si estuviera controlado por tensión.

Explicación de los botones**Gire el botón giratorio en el sentido de las agujas del reloj (arriba)**

- Gire el selector en sentido horario para aumentar el valor.
- Aumentar el nivel de resistencia.

Gire el botón giratorio en el sentido contrario a las agujas del reloj (abajo)

- Gire el selector en sentido anti-horario para reducir el valor.
- Disminuir el nivel de resistencia.

Pulse el botón giratorio (modo/ intro)

- Confirma el ajuste o la selección.
- Cuando se encuentre en modo de entrenamiento, detenga la función de escaneo de la pantalla y fije el parámetro actual en la pantalla central.
- Vaya al siguiente parámetro cuando esté en modo de visualización fija.

!! ATENCIÓN!

- Cuando se detenga el modo de escaneo fijando un parámetro específico, no habrá forma de volver a activar la función de "escaneo", aparte de presionando deprisa "Start / Stop" dos veces para hacer una pausa rápidamente y reiniciar de nuevo el entrenamiento.

Reset (Reinicio)

- En el modo de ajustes, pulse la tecla REINICIO una vez para reiniciar las cifras de la función actual.
- Pulse y mantenga pulsada la tecla REINICIO durante 3 segundos para reiniciar todas las cifras de la función.

Start/ Stop

- Iniciar o detener (pausa) la sesión de ejercicio.

Body Fat (Grasa corporal)

- Compruebe su porcentaje de grasa corporal y su IMC (índice de masa corporal).

Recovery (Recuperación)

- Una vez que la consola detecta la señal del pulso, pulse la tecla RECUPERAR para entrar en el modo de recuperación y de esta manera monitorizar la capacidad de recuperación del ritmo cardíaco.

Funcionamiento**Encendido**

- Enchufe el suministro eléctrico, el ordenador se encenderá y mostrará todos los segmentos en la LCD durante 2 segundos.
- Pulse cualquier tecla para encender la consola cuando se está en el modo dormir
- Empiece a pedalear para encender la consola cuando se está en el modo dormir.

!! ATENCIÓN!

- Cuando transcurren 4 minutos sin que se utilice el equipo, la consola cambia a modo de descanso.

Modo de descanso


Cuando la consola está en modo de descanso, todas las ventanas de información se apagan como si estuviera en modo apagado.

Apagado

- Para apagar el entrenador es necesario extraer la fuente de alimentación del mismo.

Selección del entrenamiento

Utilice la función del botón giratorio para seleccionar:

M	Manualmente
P1 ~ P12	Perfil de programa 1 ~ 12
	Control de ritmo cardíaco
W	Control de vatios
U	Programa de usuario

Función de USB

El usuario puede conectar su mecanismo para cargarlo durante el entrenamiento.

Spannung/ Strom: 5VDC/ 1.0 Amp

Programas**Inicio rápido**

- Pulse la tecla START/STOP para iniciar el entrenamiento sin ningún ajuste predeterminado.
- Utilice la función del botón giratorio para ajustar el nivel de resistencia durante el entrenamiento.

Fin del entrenamiento

- Pausa START/STOP en el modo de entrenamiento para detener o hacer una pausa en la sesión.
Para reanudar el entrenamiento, pulse el botón START/STOP en el modo de pausa.
- Pulse la tecla RESET (en modo de pausa) para restablecer todos los datos del entrenamiento.
- Pulse y mantenga pulsada la tecla RESET durante 3 segundos para reiniciar la consola. (Se perderán los datos del entrenamiento activo)

⚠ CONSEJO RÁPIDO

- Cuando esté en el modo de pausa, podrá utilizar el "botón Mode / Dial" para ajustar sus objetivos establecidos.
- Pulse mode para seleccionar: Tiempo / Distancia / Calorías o Pulso.
- Gire el dial para ajustar el objetivo tal como prefiera y presione "Mode" para seleccionar el siguiente parámetro para cambiarlo si es necesario o pulse el botón "Start / Stop" para reanudar el entrenamiento.

Configurar usuario

Se puede seleccionar un usuario cuando la consola se encuentra en modo de "inicio".

Cuando la consola está en modo funcional, mantenga pulsada la tecla "RESET" durante más de tres segundos, para reiniciar la consola y pasar al modo de "inicio".

Verá que "U1" parpadea (o el último usuario seleccionado U1~U4).

- Seleccione el usuario, gire el dial para seleccionar U1~U4, confirme presionando el botón de marcación.
- Seleccione el sexo, gire el dial para seleccionar ♂ Hombre/ ♀ (Mujer), confirme presionando el botón de marcación.
- Seleccione la edad (A), gire el dial para seleccionar Intervalo de ajuste: 1 ~ 99 (±1), confirme presionando el botón de marcación.
- Ajuste la altura (H), gire el dial para seleccionar Intervalo de ajuste: 100~200 cm (±1), confirme presionando el botón de marcación.
- Ajuste el peso (W), gire el dial para seleccionar Intervalo de ajuste: 20~150 kg (±1), confirme presionando el botón de marcación.

!! ATENCIÓN

- La configuración de los parámetros de usuario correctos es necesaria para:
 1. El funcionamiento correcto del programa de ritmo cardíaco objetivo.
 2. El funcionamiento correcto de la medición de la grasa corporal y del IMC.
- La selección de un usuario determina los "Programas de usuario" que se cargarán. Ver "Programa de usuario"

Manualmente

- Utilice la función del botón giratorio para seleccionar el programa de entrenamiento, Seleccione modo M (manual), confirme presionando el botón de marcación.
- Utilice la función del botón giratorio para preajustar el tiempo de entrenamiento, Intervalo de ajuste: 1:00 ~ 23:59:00 minutes (± 1:00), Confirme presionando el botón de marcación.
- Utilice la función del botón giratorio para preajustar la distancia de entrenamiento, Intervalo de ajuste: 0.10 ~ 99.90 Km. (± 0.10), Confirme presionando el botón de marcación.

- Utilice la función del botón giratorio para predeterminar las calorías del entrenamiento, Intervalo de ajuste: 10 ~9990 Cal. (± 10), confirme presionando el botón de marcación.
- Utilice la función del botón giratorio para ajustar un límite del pulso, Intervalo de ajuste: 40 ~200 BPM (± 1), confirme presionando el botón de marcación.
- Pulse la tecla START/STOP para iniciar la sesión
- Utilice la función del botón giratorio para ajustar el nivel de resistencia. El nivel de carga se muestra en la ventana LEVEL.

!! NOTA

- Cuando determine más de un objetivo, el entrenamiento se terminará en cuanto se alcance el primer objetivo.
- Si deja un objetivo en blanco, no se considerará como un límite predeterminado.
- Cuando ajuste un límite del pulso, el entrenamiento no se detendrá cuando se exceda el límite determinado. Una alarma acústica notificará al usuario advirtiéndole de que se ha excedido el límite.

Perfil de programa 1 ~ 12

- Utilice la función del botón giratorio para seleccionar el programa de entrenamiento, seleccione uno de los perfiles predeterminados, confirme presionando el botón de marcación.
- Utilice la función del botón giratorio para preajustar el tiempo de entrenamiento, Intervalo de ajuste: 1:00 ~ 23:59:00 minutos ($\pm 1:00$)
- Pulse la tecla START/STOP para iniciar la sesión
- Utilice la función del botón giratorio para ajustar el nivel de resistencia. El perfil completo se redimensionará de forma proporcional. El nivel de carga se muestra en la ventana LEVEL.

En el modo de perfil de programa, la tensión se ajustará automáticamente a un perfil predeterminado.

!! NOTA

- La duración de cada segmento en el perfil es 1/20 del tiempo de entrenamiento predeterminado.
- Si no se ha determinado un tiempo de entrenamiento, la duración de cada segmento será 100 mtr. y el perfil se reiniciará una y otra vez hasta que usted mismo detenga el entrenamiento.

!! ATENCIÓN!

- Encontrará un resumen de cada perfil de programa en la sección F que aparece después de los planos de los pasos de montaje.

Control de ritmo cardíaco

- Utilice la función del botón giratorio para seleccionar el programa de entrenamiento, seleccione HRC (icono del corazón), confirme presionando el botón de marcación.
- Utilice la función del botón giratorio para determinar el objetivo del ritmo cardíaco HRC:
55% = 55% de la suma (220 menos *Edad)
75% = 75% de la suma (220 menos *Edad)
90% = 90% de la suma (220 menos *Edad)
TA = Objetivo (Por defecto 100)

*Edad parámetro debe configurarse en "Configurar usuario"

confirme presionando el botón de marcación.

- Cuando determine TA, Utilice la función del botón giratorio para determinar el objetivo (40~200), confirme presionando el botón de marcación.
- Utilice la función del botón giratorio para preajustar el tiempo de entrenamiento, Intervalo de ajuste: 1:00 ~ 23:59:00 minutos ($\pm 1:00$)
- Pulse la tecla START/STOP para iniciar la sesión
- Use RESET para volver al menú principal.

En el modo Cardio, la tensión se ajustará automáticamente a una insensibilidad en la que su ritmo cardíaco alcance el objetivo HRC predeterminado.

!! ATENCIÓN!

- El modo Cardio requiere una señal de frecuencia cardíaca para funcionar.
- En la ventana principal se muestran el signo de interrogación y el símbolo del corazón cuando la consola no recibe la señal de frecuencia cardíaca para notificarla.
- Cuando se pierde el ritmo cardíaco durante más de 5 segundos, el programa se apagará automáticamente en modo de pausa.

⚠ CONSEJO RÁPIDO

- El programa "Control de la frecuencia cardíaca" funciona mejor cuando los ajustes de usuario son correctos.

Control de vatios (W)

- Utilice la función del botón giratorio para seleccionar el programa de entrenamiento, seleccione control de vatios (W), confirme presionando el botón de marcación.
- Utilice la función del botón giratorio para determinar el objetivo de vatios: 100 es el valor predeterminado (10~350 ± 5) confirme presionando el botón de marcación.
- Utilice la función del botón giratorio para preajustar el tiempo de entrenamiento, Intervalo de ajuste: 1:00 ~ 23:59:00 minutos ($\pm 1:00$)
- Pulse la tecla START/STOP para iniciar la sesión
- Use RESET para volver al menú principal.

En modo Vatios, la tensión se ajustará automáticamente a una insensibilidad en la que los Vatios alcancen el objetivo de vatios que se haya predeterminado.

!! NOTA

- El parámetro Vatios es un cálculo de las RPM y el nivel de tensión. Cuando las RPM sean más altas, la tensión será más baja. Cuando las RPM sean más bajas, la tensión será más alta.

Programa de usuario (U)

Modo de programación de usuario.

Un programa de usuario seleccionado siempre se abre en modo de programación.

- Utilice la función del botón giratorio para seleccionar el programa de entrenamiento, seleccione Perfil de usuario (U), confirme presionando el botón de marcación.
- Utilice la función del botón giratorio para determinar el nivel de tensión para el primer segmento del perfil. Confirme presionando el botón de marcación.
- Repita de la misma manera el resto de niveles de tensión de los segmentos del perfil.

!! ATENCIÓN

- Cada segmento que se programa y se confirma pulsando el botón "Mode" se almacena automáticamente.
- Un programa de usuario preprogramado no se puede borrar, pero se puede sobrescribir para actualizar el perfil a sus necesidades en todo momento.

Iniciar un programa de usuario

- Estando en el modo de programación, mantenga pulsado el botón MODE durante dos segundos en cualquier fase del modo de programación, para abrir el modo de programación horaria.
- Utilice la función del botón giratorio para preajustar el tiempo de entrenamiento, Intervalo de ajuste: 1:00 ~ 23:59:00 minutos (\pm 1:00)
- Pulse la tecla START/STOP para iniciar la sesión
- Use RESET para volver al menú principal.

En el modo de perfil de programa de usuario, la tensión se ajustará automáticamente al perfil predeterminado.

La duración de cada segmento en el perfil es 1/8 del tiempo de entrenamiento predeterminado.

!! ATENCIÓN

- Solo hay un programa de usuario disponible por perfil de usuario.
Ver "Establecer usuario"

Recovery (Recuperación)

La función de recuperación consiste en registrar el estado cardíaco midiendo la velocidad de recuperación de la frecuencia cardíaca en latidos por minuto. Cuanto más rápido descienda su ritmo cardíaco al nivel normal, mejor será su estado.

Por lo tanto, es mejor utilizar esta función justo después del entrenamiento.

- La tecla de "RECOVERY" solo será válida si se detecta pulso.
- La HORA mostrará „0:60" (segundos) y contará hacia abajo hasta 0.
- El ordenador mostrará F1 a F6 una vez finalizada la cuenta atrás para probar el estado de recuperación del ritmo cardíaco. El usuario podrá encontrar el nivel de recuperación del ritmo cardíaco según la tabla siguiente.
- Pulse la tecla "RECOVERY" nuevamente para volver al principio.

Cómo interpretar el resultado de la prueba.

El resultado se basa en su condición de frecuencia cardíaca. Al estar activo, su ritmo cardíaco aumenta en pulsaciones por minuto (PPM). Al finalizar el entrenamiento, el ritmo cardíaco se estabilizará al nivel normal. Cuanto más rápido se establezca el ritmo cardíaco, mejor será su estado cardíaco.

Si su ritmo cardíaco desciende al menos 31 PPM en el minuto de prueba, su resultado será F1.

Si su ritmo cardíaco desciende entre 25~30 PPM en el minuto de prueba, su resultado será F2. Y así sucesivamente.

F1	Extraordinario	31 +
F2	Excelente	25 ~ 30
F3	Bien	20 ~ 24
F4	Por encima de la media	16 ~ 19
F5	Media	12 ~ 15
F6	Por debajo de la media	9 ~ 11
F7	Preocupante	6 ~ 8
F8	Mal	3 ~ 5
F9	Muy mal	0 ~ 2
F0	Error	Error / el resultado es negativo

!! ATENCIÓN!

- Los datos de los resultados de "Recuperación" deben utilizarse únicamente como referencia personal y no tienen ningún valor médico.
- Si su ritmo cardíaco aumenta en el minuto de prueba, indicará F0.

Body Fat (Grasa corporal)

- Pulse la tecla "BODY FAT" para iniciar la medida de la grasa corporal.
- Durante la medición, los usuarios tienen que mantener ambas manos sobre las empuñaduras. La pantalla LCD mostrará "- - - -" ~ "- - - -" durante 8 segundos hasta que el ordenador termine la medición.
- La pantalla LCD mostrará el IMC y el porcentaje de GRASA.

!! NOTA

- Se requiere un "Ajuste del perfil de usuario" correcto para llevar a cabo esta función.

Códigos de error del modo Grasa Corporal

- *E-1: No se detecta señal de entrada de ritmo cardíaco.
- *E-4: Ocurre cuando el porcentaje de GRASA y el IMC dan valores por debajo de 0 o superiores a 50.

⚠ CONSEJO RÁPIDO

- La función de medición "Grasa corporal e IMC" funciona mejor cuando los ajustes de usuario son correctos.

Bluetooth & APP

- Esta consola puede conectarse con una App de un dispositivo móvil inteligente vía Bluetooth (iOS & Android)
- Establezca la conexión Bluetooth sólo a través del modo de conexión en la aplicación instalada en su teléfono smart.
- Cuando la consola se haya conectado al dispositivo inteligente vía Bluetooth, la consola se apagará.

!! NOTA

- Tunturi solo ofrece la opción de conectar su consola de ejercicios físicos mediante conexión Bluetooth. Por tanto, Tunturi no se hace responsable por posibles daños o funcionamiento incorrecto de productos que no sean de la marca Tunturi.
- Consulta el sitio web para obtener información adicional

Esta consola puede recibir un transmisor de frecuencia cardíaca Bluetooth. No es necesario vincular el dispositivo, ya que la consola detectará automáticamente el transmisor de frecuencia cardíaca cuando esté dentro del rango.

Limpieza y mantenimiento

La máquina no requiere un mantenimiento especial. No es necesario recalibrar la máquina cuando ésta se ha montado, utilizado y mantenido según las instrucciones.

⚠ ADVERTENCIA

- Antes de la limpieza y el mantenimiento, retire el adaptador.
 - No utilice disolventes para limpiar la máquina.
 - La limpieza y el mantenimiento por parte del usuario no deberán ser realizados por niños sin supervisión.
- Limpie la máquina con un paño suave y absorbente tras cada uso.
- Compruebe periódicamente que todos los tornillos y las tuercas estén apretados.
- En caso necesario, lubrique las juntas.

Defectos y fallos

A pesar del control de calidad continuo, la máquina puede presentar defectos y fallos ebidos a piezas individuales. En la mayoría de los casos, será suficiente sustituir la pieza defectuosa.

- Si la máquina no funciona correctamente, contacte inmediatamente con su proveedor.
- Facilite al proveedor el número de modelo y el número de serie de la máquina. Indique la naturaleza del problema, las condiciones de uso y la fecha de compra.

Solución de problemas:

- Si no hay señal cuando haces ejercicio, comprueba que el cable esté conectado correctamente.

!! ATENCIÓN

- Si el ordenador no muestra las cosas de la forma normal, vuelva a instalar el transformador e inténtelo de nuevo.

Sensación inestable o inestable durante el uso

Si la máquina se siente inestable o inestable durante la operación, se recomienda ajustar los pies de apoyo para que el marco alcance la altura correcta. Lea las instrucciones en este manual en la sección: "Uso"

Transporte y almacenamiento

⚠ ADVERTENCIA

- Antes del transporte y el almacenamiento, retire el adaptador.
 - Al menos dos personas deben transportar y mover la máquina.
- Hay que colocarse de pie delante de la máquina en cada lado y agarrar bien por los manillares. Levante la parte delantera de la máquina para poder levantar la parte trasera sobre las ruedas. Mueva la máquina y bájela con cuidado. Coloque la máquina sobre una base protectora para evitar daños en la superficie del suelo.
- Mueva la máquina con cuidado sobre superficies irregulares. No suba la máquina por las escaleras usando las ruedas; transporte la máquina por los manillares.
- Almacene la máquina en un lugar seco con la menor variación de temperatura posible.

Garantía

Garantía del propietario del equipo Tunturi

Condiciones de la garantía

El cliente tiene derecho a los beneficios jurídicos aplicables recogidos en la legislación nacional relativa al comercio de bienes de consumo. Esta garantía no restringe dichos beneficios. La garantía del cliente solo será válida si se utiliza el producto en un entorno autorizado por Tunturi New Fitness BV y se mantiene tal como se indica para el equipo concreto. Las instrucciones de mantenimiento y medioambientales aprobadas específicas del producto se indican en el "manual del usuario" del producto. El "manual de usuario" se puede descargar en nuestro sitio web. <http://manuals.tunturi.com>

Términos de la garantía

Los términos de la garantía comenzarán el día de la compra. Los términos de garantía pueden variar por país, así que consulte con su distribuidor local para ver cuáles son los términos de la garantía.

Cobertura de la garantía

Tunturi New Fitness BV o los distribuidores Tunturi no responderán en ninguna circunstancia a causa de esta garantía por los eventuales daños indirectos, secundarios, resultantes o especiales de ningún tipo derivados del uso o la imposibilidad de uso de este equipo.

Restricciones a la garantía

La garantía cubre los fallos debidos a la fabricación y los materiales en un equipo de ejercicio que esté en su ensambladura original. La garantía cubre solamente defectos que se manifiesten durante un uso normal, conforme a las instrucciones dadas en la guía suministrada con el equipo, a condición de que se hayan observado las instrucciones de montaje, mantenimiento y utilización proporcionadas por Tunturi. Tunturi New Fitness BV y los distribuidores Tunturi no pueden responder de fallos ocasionados por circunstancias ajenas a su control. La presente garantía sólo es válida para el comprador original del equipo de ejercicio y tiene vigencia solamente en los países en los que Tunturi New Fitness BV cuenta con un importador autorizado. La garantía no cubre los equipos de ejercicio o sus partes que hayan sido modificados sin el consentimiento previo de Tunturi New Fitness BV. La garantía no cubre fallos derivados del desgaste normal, de un uso indebido, de su uso en condiciones para las que el equipo no ha sido concebido, corrosión o daños sufridos durante la carga o el transporte.

La garantía no cubre los sonidos o ruidos emitidos durante el uso que no impidan de forma sustancial la utilización del equipo y que no estén provocados por un fallo del mismo

La garantía no cubre las actividades de mantenimiento tales como limpieza, lubricación o el ajuste normal de las piezas, ni los procedimientos de instalación que el cliente pueda realizar por sí mismo y que no requieran un desmontaje / montaje especial del equipo de ejercicio. Estos procedimientos son, por ejemplo, el cambio de contadores, pedales o de otras piezas simples similares. No se reembolsarán las reparaciones realizadas durante el periodo de garantía por agentes no autorizados por Tunturi. Si no se siguen adecuadamente las instrucciones dadas en el Manual del Propietario se invalidará la garantía del producto.

Datos técnicos

Parámetro	Unidad de medición	Valor
Longitud	cm	120.5
	inch	47.4
Anchura	cm	59.5
	inch	23.4
Altura	cm	146.5
	inch	57.7
Peso	kg	37.5
	lbs	82.7
Peso máx. del usuario	kg	150.0
	lbs	330.0
Especificaciones de salida del transformador	Voltaje	9V-DC
	Amperio	2.0 A
Medición de la frecuencia auditiva disponible a través de:	Contacto manual	Sí
	5.0 Khz	No
	5,3 KHz.	No
	Bluetooth (BLE)	Sí
	ANT +	No

Declaración del fabricante

Tunturi New Fitness BV declara que el Signature E50 Bicicleta estática es conforme con las siguientes normas y directivas:

- Directiva RoHS (2011/65/EU)
- Reglamento General de Seguridad de los Productos (GPSR) – (EU) 2023/988

Por la presente, Tunturi New Fitness BV declara que el equipo de radio tipo Entrenador de Signature E50 Bicicleta estática cumple con la Directiva 2014/53/EU.

La declaración de conformidad, que incluye todas las normas y directivas, se puede descargar en nuestro sitio web: <https://doc.tunturi.com>

Tunturi New Fitness BV
Purmerweg 1
1311 XE Almere
Los países bajos

Descargo de responsabilidad

© 2025 Tunturi New Fitness BV
Reservados todos los derechos.

- Tanto el producto como el manual están sujetos a modificaciones.
- Las modificaciones se pueden cambiar sin aviso.
- Consulte nuestra página web para descargar la versión del manual de usuario más reciente.

På svenska

Denna handbok är en översättning av den engelska texten. Vi förbehåller oss rätten till eventuella översättningsfel. Den engelska originaltexten råder.

Index

Välkommen	80
Säkerhetsvarningar	80
Elsäkerhet.....	81
Monteringsanvisningar	81
Beskrivning illustration A.....	81
Beskrivning illustration B	81
Beskrivning illustration C.....	81
Beskrivning illustration D.....	81
Ytterligare monteringsinformation	81
Ytterligare miljö- information	82
Träning	82
Övning Instruktioner.....	82
Hjärtfrekvens	82
Användning	83
Justera stödfötterna	83
Justera konsolen	83
Ställa in horisontellt sadelläge	83
Ställa in vertikalt sadelläge.....	83
Justera handtaget	83
Strömförsörjning.....	83
Panel	84
Förklaring av displayfunktioner	84
Förklaring av knappar.....	85
Manövrering	85
Program	85
Användarinställningar.....	86
Manuellt	86
Programprofil 1~12	86
Hjärtfrekvens-kontroll	86
Effektkontroll i watt (W)	87
Användarprogram (U).....	87
Recovery (Återhämtning).....	87
Body Fat (Kroppsfett)	87
Bluetooth & APP	87
Rengöring och underhåll	88
Fel och funktionsstörningar.....	88
Transport och lagring	88
Garanti	88
Teknisk information	89
Försäkran från tillverkaren	89
Friskrivning	89

Välkommen

Välkommen till Tunturi Fitness värld!

Tack för att du köpte denna utrustning från Tunturi. Tunturi erbjuder ett stort utbud av professionell träningsutrustning, exempelvis crosstrainers, löpband, träningscyklar, roddmaskiner, styrka bänkar och flera stationer. Utrustning från Tunturi passar hela familjen, oavsett träningsnivå. Mer information finns på vår webbplats, www.tunturi.com

Viktiga instruktioner om säkerhet

Denna handbok är en viktig del av din träningsutrustning. Läs alla instruktioner i den här handboken innan du börjar använda denna utrustning. Följande försiktighetsåtgärder måste alltid följas:

Säkerhetsvarningar

⚠ VARNING

- Läs säkerhetsvarningarna och instruktionerna. Om inte säkerhetsvarningarna och instruktionerna följs kan det medföra skador på personer eller utrustningen. Behåll säkerhetsvarningarna och instruktionerna för framtida bruk.

⚠ VARNING

- System för övervakning av hjärtfrekvensen är inte alltid exakta. Överträning kan medföra allvarlig skada eller död. Sluta omedelbart att träna om du känner dig svag.

- Utrustningen är endast anpassad för hemmabruk. Utrustningen är inte anpassad
- Maximal användning är begränsad till 5 timmar per dag..
- Denna apparat kan användas av barn från 8 år och uppåt och personer med nedsatt fysisk, sensorisk eller mental förmåga eller bristande erfarenhet och kunskap om de har övervakats eller fått instruktioner om hur apparaten används på ett säkert sätt och förstår de risker som är förknippade med den.
- Barn bör övervakas för att säkerställa att de inte leker med apparaten.
- Innan du påbörjar din träning, uppsök en läkare som kan kontrollera din hälsa.
- Om du upplever illamående, yrsel eller andra onormala symptom, avsluta genast din träning och kontakta en läkare.
- Börja varje träningspass med att värma upp och avsluta varje träningspass med nedvarning för att undvika muskelsmärter och sträckningar. Kom ihåg att stretcha i slutet av träningen.
- Utrustningen är endast anpassad för användning inomhus. Utrustningen är inte anpassad för användning utomhus.
- Använd endast utrustningen i miljöer med god ventilation. Använd inte utrustningen i dragiga miljöer för att undvika att bli förkyld.
- Använd endast utrustningen i miljöer med temperatur mellan 10 °C och 35 °C. Förvara endast utrustningen i miljöer med temperatur mellan 5 °C och 45 °C.
- Använd inte och förvara inte utrustningen i fuktig miljö. Luftfuktigheten får aldrig överstiga 80%.
- Använd endast utrustningen för dess avsedda ändamål. Använd inte utrustningen för andra ändamål än de som beskrivs i handboken.
- Använd inte den här utrustningen om någon del är trasig eller skadad. Om någon del är trasig eller skadad, kontakta din återförsäljare.
- Håll undan händer, fötter och andra kroppsdelar från de rörliga delarna.
- Håll undan håret från de rörliga delarna.
- Bär passande kläder och skor.

- Håll undan kläder, smycken och andra föremål från de rörliga delarna.
- Låt bara en person åt gången använda utrustningen. Utrustningen får inte användas av personer som väger mer än 135 kg (300 lbs).
- Öppna inte utrustningen utan att kontakta din återförsäljare.

Elsäkerhet

- Före användning, kontrollera alltid att nätspänningen är densamma som spänningen på utrustningens märkplåt.
- Använd inte en förlängningssladd.
- Håll strömkabeln borta från värme, olja och vassa kanter.
- Ändra inte strömkabeln eller kontakten.
- Använd inte utrustningen om strömkabeln eller kontakten är trasig eller skadad. Om strömkabeln eller kontakten är trasig eller skadad, kontakta din återförsäljare.
- Rulla alltid ut strömkabeln helt.
- Dra inte strömkabeln under utrustningen. Dra inte strömkabeln under en matta. Placera inte några föremål på strömkabeln.
- Kontrollera att strömkabeln inte hänger över en bordskant. Kontrollera att strömkabeln inte kan kommas åt avsiktligt eller snubblas över.
- Lämna inte utrustningen oövervakad med kontakten instoppad i vägguttaget.
- Dra inte i strömkabeln för att avlägsna kontakten från vägguttaget.
- Avlägsna stickkontakten från vägguttaget när utrustningen inte används, innan den monteras eller monteras isär och innan den rengörs eller underhålls.

VARNING

- Använd aldrig vatten eller någon annan vätska direkt på eller i närheten av utrustningen, utan använd endast en fuktig trasa om du behöver rengöra maskinen med fukt.
- Att använda vätska direkt är skadligt för utrustningens komponenter och kan leda till en elstöt orsakad av en kortslutning. Detta kan leda till allvarlig personskada eller till och med dödsfall.
- Apparaten får endast användas med den nätadapter som medföljer apparaten.

Monteringsanvisningar

Beskrivning illustration A

På illustrationen kan du se hur träningsredskapet ska se ut efter att monteringen har slutförts. Du kan använda illustrationen som referens under monteringen, men följ alltid stegen i monteringsinstruktionerna i rätt ordning.

Beskrivning illustration B

På illustrationen kan du se vilka komponenter och delar som du ska hitta när du packar upp produkten.

OBS!

- Små delar kan ligga gömda/vara nedpackade i ihåliga utrymmen i produktskyddet av polystyren.

Beskrivning illustration C

På illustrationen visas de monteringsdelar som följer med produkten. Monteringsdelarna omfattar bultar, brickor, skruvar, muttrar etc. och de verktyg du behöver för att kunna montera träningsredskapet korrekt.

Beskrivning illustration D

På illustrationerna visas i rätt ordning hur träningsredskapet ska monteras på bästa sätt.

VARNING

- Montera utrustningen i angiven ordning.
- Var två om att bära och förflytta utrustningen.

OBS.

- Placera utrustningen på en stabil och jämn yta.
- Placera utrustningen på en skyddande grund för att förhindra att golvet skadas.
- Lämna åtminstone 100 cm fritt runt utrustningen.
- Illustrationerna visar det korrekta sättet att montera utrustningen.

Ytterligare monteringsinformation

D3 Hur ska pedalerna sättas fast korrekt.

OBS!

- Höger och vänster anges sett utifrån hur du sitter när du tränar.

Högra pedalen

- Leta efter markeringen "R" eller "L" på pedalaxeln
- Fäst den högra pedalen "R" på det högra vevpartiet.
 - Vrid först pedalaxeln medurs för hand.
 - Använd skiftnyckeln för att dra fast pedalen ordentligt.

Vänstra pedalen

- Fäst den vänstra pedalen "L" på det vänstra vevpartiet.
- Vrid först pedalaxeln moturs för hand.
- Använd skiftnyckeln för att dra fast pedalen ordentligt.



Klicka för att se vår stödjande YouTube-video
<https://youtu.be/3BiN9mc5Tmw?t=101>

Ytterligare information till monteringssteg D4 & D5

- Upprätta kabelanslutningen mellan kabeln som kommer från huvudramen och den nedre delen av kabeln som är förmonterad i det uppräta röret.
- Placera det uppräta röret över huvudramens fäste, där fästbultarna är förmonterade och förblir förmonterade. (Samtidigt som du sänker det uppräta röret drar du försiktigt upp den övre delen av kabeln för att undvika att kabeln fastnar under anslutningen.)
- Det upprättstående röret ska automatiskt hitta mittläget, men det rekommenderas att eventuellt finjustera för att säkerställa att positionen är bra.
- Det perfekta läget är när fästbultarna är perfekt centrerade i linje med de uppräta rörhålen.

OBS

- Se till att kablarna mellan dessa två delar inte blir klämd genom att säkra kabelanslutningen i fästet.
- Genom att fästa de två bultarna (vrid medurs) på framsidan breddas fixeringsfästet så att det röret står upprätt.
- För att fästa det uppräta röret ordentligt måste du först dra åt bulten på ovansidan ordentligt.
- När du har spänt fast övre bulten måste du dra åt den nedre bulten ordentligt.
- När du drar åt den nedre bulten kommer det upprättstående röret att flyttas något, vilket resulterar i att den övre bulten kan spännas fast ytterligare något, därför är det nödvändigt att späna den övre bulten igen.

- Upprepa dessa steg tills båda bultarna sitter ordentligt fast för att säkerställa att det upprätta röret sitter fast ordentligt.



Klicka för att se vår stödjande YouTube-video
<https://youtu.be/3BiN9mc5Tmw?t=180>

!! ANMÄRKNING

- Spara verktygen som följer med denna produkt när monteringen är klar så att du kan använda dem för framtida servicearbeten.

Ytterligare miljö- information

Bortskaffande av förpackning

Riktlinjer från myndigheter uppmanar att vi minskar mängden avfall som placeras i deponier. Vi ber dig därför att bortskaffa allt förpackningsavfall på ett ansvarsfullt sätt på allmänna återvinningscentraler.

Bortskaffande av uttjänt redskap

Vi på Tunturi hoppas att du får många års trevlig användning av ditt träningsredskap. Men det kommer en tid när ditt träningsredskap är uttjänt. Enligt den europeiska WEEE-lagstiftningen, ansvarar du för korrekt bortskaffande av ditt träningsredskap på en allmän återvinningsanläggning.

Träning

Träningen måste vara lagom lätt, men hålla på länge. Aerobisk träning är till för att förbättra kroppens maximala syreupptag, vilket förbättrar uthålligheten och konditionen. Du ska svettas, men du ska inte bli andfådd under träningen. För att uppnå och behålla en grundkondition, träna åtminstone tre gånger i veckan, 30 minuter åt gången. Öka antalet träningspass för att förbättra din kondition. Det är bra att kombinera regelbunden träning med hälsosam kost. En person som har bestämt sig för att banta bör träna dagligen, 30 minuter eller mindre till en början och sedan öka den dagliga träningsstunden till en timme. Börja din träning i låg hastighet och med lågt motstånd för att förhindra att hjärtkärlsystemet utsätts för kraftig belastning. När konditionen förbättras, kan hastigheten och motståndet ökas gradvis. Din tränings effektivitet kan mätas genom att kontrollera din hjärtfrekvens och din puls.

Övning Instruktioner

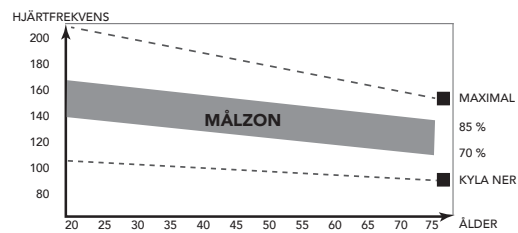
Användningen av ditt träningsredskap kommer att ge dig många fördelar; det kommer att förbättra din fysiska kondition, tona musklerna och tillsammans med en kalorikontrollerad diet hjälpa dig att gå ned i vikt.

Uppvärmningsfasen

Denna fas får blodet att börja pumpa runt i kroppen och förbereder musklerna på aktivitet. Den minskar även risken för kramp och muskelskada. Det är tillrådligt att göra några stretchövningar som visas nedan. Varje stretchövning ska hållas i ungefär 30 sekunder. Tvinga eller tryck inte in musklerna i en stretchövning. Om det gör ont, SLUTA

Träningsfasen

Detta är fasen där du jobbar. Efter regelbunden användning, kommer musklerna i dina ben att bli mer flexibla. I denna fas är det mycket viktigt att bibehålla ett jämnt tempo från början till slut. Ansträngningsnivån ska vara tillräcklig för att höja din puls till målzonen som visas i nedanstående figur



Denna fas bör pågå i minst 12 minuter, även om de flesta börjar med ungefär 15-20 minuter.

Nedvarningsfasen

Under denna fas får ditt kardiovaskulära system och dina muskler varva ned. Den är en upprepning av uppvärmningsövningen, t.ex. minska ditt tempo, fortsatt i ca 5 minuter. Stretchövningarna ska nu upprepas. Kom ihåg att inte tvinga eller trycka in musklerna i stretchövningen.

När du blir mer vältränad, kan du träna längre och hårdare. Vi rekommenderar att träna minst tre gånger i veckan, och, om möjligt, fördela dina träningsstillfällen jämnt under hela veckan.

Muskeltoning

För att tona musklerna när du använder träningsredskapet, måste du ställa in en ganska hög belastning. Detta belastar benmusklerna mer och kan innebära att du inte kan träna så länge som du vill.

Om du även försöker förbättra din kondition, måste du ändra ditt träningsprogram. Du bör träna som vanligt under uppvärmnings- och nedvarningsfaserna, men mot slutet av träningsfasen kan du öka belastningen så att dina ben får jobba hårdare. Du måste minska hastigheten för att hålla pulsen i målzonen.

Viktminskning

Den viktigaste faktorn här är hur mycket du anstränger dig. Ju hårdare och längre du tränar, desto fler kalorier bränner du. Detta är i princip detsamma som om du tränade för att förbättra din kondition, skillnaden är målet.

Hjärtfrekvens

Pulsmätning (handpulssensorer)

Pulsen mäts av sensorer i handtagen när användaren vidrör båda sensorerna samtidigt. Bäst pulsmätning fås när skinnet är en aning fuktigt och i ständig kontakt med handpulssensorerna. Om skinnet är för torrt eller för fuktigt kan pulsmätningen bli mindre exakt.

!! ANMÄRKNING

- Använd inte handpulssensorer tillsammans med ett pulsband.
- Om du har ställt in en begränsning av hjärtfrekvensen för din träning, kommer ett larm att ljuda när den överskrids.

Hjärtfrekvensmätning (pulsband)

!! ANMÄRKNING

- Ett bröstband är inte standard med denna tränare. När du gillar att använda ett trådlöst bröstband måste du köpa detta som tillbehör.

Den mest exakta mätningen av hjärtfrekvensen uppnås med ett pulsband. Hjärtfrekvensen mäts av en hjärtfrekvensmottagare i kombination med ett pulsband med sändare. Korrekt pulsmätning kräver att elektroderna på sändarbandet är en aning fuktiga och i ständig kontakt med skinnet. Om elektroderna är för torra eller för fuktiga kan pulsmätningen bli mindre exakt.

⚠ VARNING

- Kontakta en läkare innan du använder ett pulsband om du har pacemaker.

⚠ OBS.

- Om det finns flera enheter för hjärtfrekvensmätning bredvid arandra, kontrollera att avståndet mellan dem är minst 2 meter.
- Om det bara finns en hjärtfrekvensmottagare och flera hjärtfrekvenssändare, kontrollera att bara en person med sändare är inom mottagningsområdet.

!! ANMÄRKNING

- Använd inte ett pulsband tillsammans med handpulssensorer.
- Bär alltid pulsbandet under dina kläder, i direktkontakt med huden. Bär inte pulsbandet utanpå kläderna. Om du bär pulsbandet utanpå kläderna kommer det inte att bli någon signal.
- Om du har ställt in en begränsning av hjärtfrekvensen för din träning, kommer ett larm att ljuda när den överskrids.
- Sändaren sänder hjärtfrekvensen till panelen upp till ett avstånd på 1,5 meter. Om elektroderna inte är fuktiga, kommer inte hjärtfrekvensen att visas på displayen.
- Vissa klädfibrer (t.ex. polyester eller polyamid) skapar statisk elektricitet som kan förhindra en korrekt mätning av hjärtfrekvensen.
- Mobiltelefoner, tv-apparater och andra elektriska apparater skapar ett elektromagnetiskt fält som kan förhindra en korrekt mätning av hjärtfrekvensen.

Maximal hjärtfrekvens (under träning)

Den maximala hjärtfrekvensen är den högsta hjärtfrekvens en person säkert kan få vid träning. Följande formel används för att beräkna den genomsnittliga maximala hjärtfrekvensen: $220 - \text{ÅLDER}$. Den maximala hjärtfrekvensen varierar från person till person.

⚠ VARNING

- Kontrollera att du inte överskrider din maximala hjärtfrekvensen under din träning. Kontakta en läkare om du tillhör en riskgrupp.

Nybörjarnivå**50-60% av den maximala hjärtfrekvensen**

Passar nybörjare, viktväktare, konvalescenter och personer som inte har tränat på länge. Träna åtminstone tre gånger i veckan, 30 minuter åt gången.

Avanceradnivå**60-70% av den maximala hjärtfrekvensen**

Passar personer som vill förbättra och underhålla konditionen. Träna åtminstone tre gånger i veckan, 30 minuter åt gången.

Expert**70-80% av den maximala hjärtfrekvensen**

Passar de mest vältränade, som är vana vid långa och tunga träningspass.

Användning**Justera stödfötterna**

Utrustningen är utrustad med justerbara stödfötter.

Om utrustningen känns instabil, ranglig eller inte är korrekt planad, kan dessa stödfötter justeras för att göra nödvändiga korrigeringar.

- Vrid stödfötterna inåt/utåt efter behov för att placera utrustningen i ett stabilt och så plant läge som möjligt.
- Dra åt låsmutterna* för att låsa stödfötterna.

!! OBS

- Utrustningen är mest stabil när den är så nära golvet som möjligt. Börja därför att plana ut utrustningen genom att vrida alla stödfötter helt inåt innan du vrider utåt de stödfötter som krävs för att stabilisera och plana ut utrustningen.



Klicka för att se vår stödjande YouTube-video
<https://youtu.be/3BiN9mc5Tmw?t=535>

Justera konsolen

Konsolens visningsvinkel kan justeras efter användarens längd och träningsposition.

- Du kan justera konsolen fritt till önskat läge utan att behöva lossa fixeringsläget.
- Konsolhållarens fäste är ett autofix-system.

!! OBS!

- Om konsolen inte kan hålla kvar den önskade positionen ordentligt kan du enkelt dra åt fästet.
- Ta bort de runda ändlocken på leden och dra åt skruvarna lite grann tills konsolen hålls kvar stadigt, men fortfarande sitter tillräckligt löst för att du ska kunna justera visningsvinkeln.

Ställa in horisontellt sadelläge

Det horisontella sadelläget kan ställas in genom att placera sadeln i önskat läge.

- Lossa vredet för justering av sadeln.
- Flytta sadeln till önskat läge.
- Drag åt vredet för justering av sadeln.

Ställa in vertikalt sadelläge

Det vertikala sadelläget kan ställas in genom att placera sadelstängan i önskat läge. Med benet nästan rakt måste fotvalvet vidröra pedalen på dess lägsta punkt.

- Lossa vredet för justering av sadelstängan.
- Flytta sadelstängan till önskat läge.
- Drag åt vredet för justering av sadelstängan.



Klicka för att se vår stödjande YouTube-video
<https://youtu.be/3BiN9mc5Tmw?t=486>

Justera handtaget

Handtaget kan justeras efter användarens längd och träningsposition.

- Lossa vredet för justering av handtaget.
- Flytta handtaget till önskat läge.
- Drag åt vredet för justering av handtaget.

!! OBS!

- Styrets justeringshandtag är fjäderbelastat, så att det är enkelt att placera styret i valfritt läge när styret har monterats.
- Dra ut handtaget och tryck samtidigt med tummen på mittknappen så att du kan röra det ordentligt. Släpp för att aktivera fixerings-/frisläppningsfunktionen igen.

Strömförsörjning

Träningsredskapet försörjs av en extern strömkälla. Illustrationen visar strömringången på träningsredskapet. (Fig. E)

!! ANMÄRKNING

- Anslut strömförsörjningen till träningsredskapet innan det ansluts till vägguttaget.
- Dra alltid ut sladden när maskinen inte används.

Panel



1. Skärm
2. Bok/ tablett rack
3. Knappar
4. USB-laddningsport

⚠ OBS

- Skydda panelen från direkt solljus.
- Torka av panelens yta när den är täckt av svett droppar.
- Luta dig inte mot panelen.
- Vidrör endast displayen med din fingertopp. Var noga med att inte dina naglar eller vassa föremål vidrör displayen.

!! ANMÄRKNING

- Panelen övergår till viloläge när utrustningen inte har använts på 4 minuter.

Förklaring av displayfunktioner

Time (Tid)

- Om målvärdet inte ställs in kommer tiden att räknas nerifrån och upp.
- Om målvärdet ställs in kommer tiden att räknas ner från din måltid till 0 och ett larm ljuda eller blinka. Tiden kommer att fortsätta räkna nerifrån och upp om träningen inte avslutas efter att målet har nåtts.
- Visningsintervall: 00:00:00 ~ 23:59:59.

Den extra tidsvisningen (som sitter under skärmhållaren) visar samma uppgifter som tidsfönstret, men är begränsad till att bara visa minuter och sekunder.

Speed

- Visar aktuell träningshastighet.
- Visningsintervall: 0.0 ~ 99.9 km/h.
- Om ingen signal har överförts till monitorn inom 4 sekunder under träningen visar SPEED "0.0"

Den extra hastighetsvisningen (som sitter under skärmhållaren) visar samma uppgifter som det huvudsakliga hastighetsfönstret.

RPM

- Visar varv per minut
- Visningsintervall: 0 - 15 ~ 999 RPM.
- Om ingen signal har överförts till monitorn inom 4 sekunder under träningen visar RPM "0"

Watt

- Visa aktuell tränings-watts
- Visningsintervall: 0 ~ 999 Watt.

- ▲ Symbolen visas i Level-fönstret när det inställda watt-målet är lägre än den aktuella träningens watteffekt. Du trampar för fort, eller så är målet inställt för lågt.
- ▼ Symbolen visas i Level-fönstret när det inställda watt-målet är högre än den aktuella träningswatteffekten. Du trampar för långsamt eller så är målet inställt för högt.

Level

- Visar inställning av spänningsnivå när du ställer in motståndet i 3 sekunder.

- ▲ När du tränar med en förprogrammerad profil blinkar symbolen i nivåfönstret 3 sekunder innan spänningsnivån ökar för att informera dig om att ökningen närmar sig i enlighet med profilen.
- ▼ När du tränar med en förprogrammerad profil blinkar symbolen 3 sekunder innan spänningsnivån minskar för att informera dig om att minskningen närmar sig i enlighet med profilen.

!! OBS

- Om inget tidsmål är inställt, kommer inte upp/ned-pilarna att meddela motståndsjusteringen 3 sekunder innan motståndsändringen.

Distance

- Om målvärdet inte ställs in kommer avståndet att räknas nerifrån och upp.
- Om målvärdet ställs in kommer avståndet att räknas ner från ditt målavstånd till 0 och ett larm ljuda eller blinka. Avståndet kommer att fortsätta räkna nerifrån och upp om träningen inte avslutas efter att målet har nåtts.
- Visningsintervall: 0.00 ~ 99.99 KM.

Den extra avståndsvisningen (som sitter under skärmhållaren) visar samma uppgifter som det huvudsakliga avstånds-fönstret.

Calories

- Om målvärdet inte ställs in kommer kalorierna att räknas nerifrån och upp.
- Om målvärdet ställs in kommer kalorierna att räknas ner från ditt målkalorivärde till 0 och ett larm ljuda eller blinka. Kalorier kommer att fortsätta räknas nerifrån och upp om träningen inte avslutas efter att målet har nåtts.
- Visningsintervall: 0 ~ 999 kalorier.

!! OBS

- Dessa data är en ungefärligt värde för att kunna jämföra olika övnings-sessioner och kan inte användas inom medicinsk behandling

Pulse

- Aktuell puls visas efter 6 sekunder efter att den detekterats av panelen.
- Utan pulssignal i 6 sekunder visar konsolen "P".
- Puls-larmet ljuder när aktuell puls ligger över målpulsen.
- Visningsintervall: 0 - 40 ~ 200 BPM

!! OBS!

- Den röda pulsikonen blinkar när hjärtfrekvensen registreras. Det tar några sekunder att visa hjärtfrekvensen i form av en bild, eftersom ett genomsnitt måste beräknas.
- Det uppmätta värdet kan inte användas som medicinskt underlag.

Den extra pulsvisningen (som sitter under skärmhållaren) visar samma uppgifter som det huvudsakliga pulsfönstret.

Display med hjärtfrekvens i fyrfärg

Displayen med hjärtfrekvens i fyrfärg visar hjärtfrekvensen baserat på användarens angivna ålder i procent.

Följande beräkning utförs.

Uppmätt hjärtfrekvens divideras med max. hjärtfrekvens. Resultatet multipliceras med 100.

Max. hjärtfrekvens för män (220 - ålder)

Max. hjärtfrekvens för kvinnor (226 - ålder)

BAI™

- Visa BAI-förbrukning BAI-värde under träning.
- Visa område 0~999

!! OBSERVERA

- BAI (Body Activity Index) är summan av den effektiva träningsvolymen
- Träningsvolym = träningsintensitet x träningstid

BAI beräknar den effektiva träningsvolymen baserad på din hjärtfrekvens, ålder, kön och tid.

Under träning kan du följa hur BAI ackumuleras. Så snart du avslutat ett träningspass, kan du erhålla summa BAI-poäng för det passet, vilken är den totala, effektiva träningsvolymen under detta pass.

Om du tränar hårdare med högre hjärtfrekvens, får du BAI-poäng snabbare. Om du tränar mindre med lägre hjärtfrekvens, får du BAI-poäng långsammare.

Vi rekommenderar en träning som ackumulerar 100 BAI-poäng varje vecka för att öka din hjärtkapacitet.

Mittdisplay

- På översta raden visas programprofilerna.
- I det övre högra hörnet visas den valda användaren (U1, U2, U3, U4)
- De nedre punkterna på displayen visar en grafisk kurva över programprofilintensiteten.
 - * Vid spänningsstyrning: Varje punkt representerar två spänningsnivåer.
 - * I HRC-läge: Varje punkt representerar en spänningsnivå som om den var spänningsstyrd.
 - * I watt-läge: Varje punkt representerar en spänningsnivå som om den var spänningsstyrd.

Förklaring av knappar

Vrid ratten medurs (Upp)

- Öka motståndet.
- Vrid reglaget medurs för att öka värdet.

Vrid ratten moturs (Ner)

- Minska motståndet
- Vrid reglaget moturs för att minska värdet.

Tryck på ratten (mode/ enter)

- Bekräfta inställningen eller valet.
- Stoppa skärmens skanningsfunktion och lås aktuell parameter i skärmens mitt.
- Gå till nästa parameter när du är i Fixed-displayläge.

!! OBS

- När du avbryter skanningsläget genom att låsa en specifik parameter, kan du endast aktivera "skanningsfunktionen" igen genom att snabbt trycka på "Start/Stop" två gånger för att snabbt pausa och starta om träningen.

Reset

- I inställningsläget trycker du på knappen RESET en gång för att återställa aktuella funktionssiffror.
- Tryck på knappen RESET och håll den intryckt i 3 sekunder för att återställa alla funktionssiffror.

Start/ Stop

- Starta eller stoppa (paus) träning.

Body Fat

- Testa kroppsfett-% och BMI.

Recovery

- När panelen detekterar en pulssignal trycker du på knappen RECOVERY för att gå till läget RECOVERY för att övervaka hjärtfrekvensens återhämtningsförmåga

Manövrering

Ström på

- Koppla in strömförsörjningen. Datorn kommer då att starta och visa allt på isplayen i två sekunder.
- Tryck på valfri knapp för att sätta på strömmen om enheten befinner sig i läget SLEEP.
- Börja trampa för att sätta på panelen om den befinner sig i viloläget.

!! OBS

- Konsolen växlar till standbyläge och visar klockläget när utrustningen inte används på 4 minuter.

Viloläge

När konsolen är i viloläge är alla meddelandefönster mörklagda som om den var i avstängt läge.

Power off [Stäng av]

- För att stänga av utrustningen måste du koppla bort strömkällan.

Träningsval

Använd vridknappens funktion för att välja:

M	Manuellt
P1 ~ P12	Programprofil 1 ~ 12
♥	Hjärtfrekvens-kontroll
W	Effektkontroll i watt
U	Användarprogram

USB-funktion

Du kan ansluta din enhet för laddning under träningen.
Spänning/ ström: 5VDC/ 1.0 Amp

Program

Snabbstart

- Tryck på START/STOPP för att starta din träning utan förinställda värden.
- Justera motståndsnivån under träning med rattens funktion.

Avsuta ditt träningspass

- Tryck på START/STOPP i träningsläge för att stoppa/pausa ditt träningspass.
Tryck på START/STOPP i pausläge för att fortsätta ditt träningspass.
- Tryck på RESET (i pausläge) för att återställa alla träningsdata.
- Tryck och håll RESET nere i min. 3 sek för att återställa manöverbordet. (Aktiva träningsdata kommer att förloras)

⚠ SNABBTIPS

- När du är i pausläge kan du använda knappen "Läge/ratt" för att justera dina inställda mål.
- Tryck på läge för att välja: Tid/distans/kalorier/puls.
- Vrid ratten för att ställa in det önskade målet och tryck på "Läge" för att välja nästa parameter som du vill ändra, eller tryck på "Start/Stop"-knappen för att återuppta träningen.

Användarinställningar

En användare kan väljas när konsolen är i "startläge".

När kontrollpanelen är i funktionsläge, tryck och håll in knappen "RESET" i mer än 3 sekunder för att starta om kontrollpanelen och slå om till "startläge".

Du ser "U1" blinka (eller den senast valda användaren U1~U4).

- Välj användare, vrid skivan till U1~U4, bekräfta genom att tryck på vridknapp.
- Välj kön, vrid ratten för att välja ♂ (Man)/ ♀ (Kvinna), bekräfta genom att tryck på vridknapp.
- Ställ in ålder (A) genom att vrida skivan
Inställningens intervall: 1 ~ 99 (±1), bekräfta genom att tryck på vridknapp.
- Ställ in längd (H) genom att vrida skivan
Inställningens intervall: 100~200 cm (±1), bekräfta genom att tryck på vridknapp.
- Ställ in vikt (W) genom att vrida skivan
Inställningens intervall: 20~150 kg (±1), bekräfta genom att tryck på vridknapp.

!! OBS

- Det krävs att du ställer in korrekta användarparametrar för följande funktioner:
 - Korrekt målprogram för hjärtfrekvens.
 - Korrekt funktion för mätning av kroppsfett och BMI.
- Genom att välja en användare bestäms vilka "Användarprogram" som kommer att laddas. Se "Användarprogram"

Manuellt

- Vrid ratten för att välja för att välja träningsprogram och välj M (manuellt) läge samt bekräfta genom att tryck på vridknapp.
- Använd UPP/NER-knapparna för att förinställa träningstiden, Inställningens intervall: 1:00 ~ 23:59:00 minuter (± 1:00), bekräfta genom att tryck på vridknapp.
- Vrid ratten för att välja för att förinställa träningsavståndet, Inställningens intervall: 0.10 ~ 99.90 Km. (± 0.10) bekräfta genom att tryck på vridknapp.
- Vrid ratten för att välja för att förinställa träningskalorierna och Inställningens intervall: 10 ~ 9990 Cal. (± 10), bekräfta genom att tryck på vridknapp.
- Vrid ratten för att välja för att ställa in en gräns för pulsslagen och Inställningens intervall: 40 ~ 200 BPM (± 1), bekräfta genom att tryck på vridknapp.
- Tryck på START/STOPP för att starta träningspasset.
- Vrid ratten för att välja för att justera motståndsnivån. Inställd nivå visas i NIVÅ-fönstret.

!! OBSERVERA

- När du ställer in fler än ett mål, stannar träningen av vid det först uppnådda målet.
- Ställ in ett blankt mål och det uppfattas inte som ett förinställt mål.
- När man ställer in en pulsgräns, stannar inte träningen av, då gränsen överskrids. Ett akustiskt alarm uppmärksammar och varskar användaren, när gränsen överskrids.

Programprofil 1~12

- Vrid ratten för att välja för val av träningsprogram. Välj en förinställd profil och bekräfta genom att tryck på vridknapp.
- Använd UPP/NER-knapparna för att förinställa träningstiden, Inställningens intervall: 1:00 ~ 23:59:00 minuter (± 1:00)
- Tryck på START/STOPP för att starta träningspasset.
- Vrid ratten för att välja för att justera motståndsnivån. Komplet profil graderas proportionerligt. Inställd nivå visas i NIVÅ-fönstret.

Spänningen ställs in automatiskt till en förinställd profil i Programprofil-läge.

!! OBSERVERA

- Tidslängd för varje profilsegment är 1/20-del av din förinställda träningstid.
- Om ingen träningstid ställts in, blir tidslängd för varje segment 100 mtr. och kommer att upprepa start av profilen igen tills du själv stoppar träningspasset.

!! OBS!

- En översikt över varje programprofil finns i avsnitt F och publiceras efter monteringsritningarna.

Hjärtfrekvens-kontroll

- Vrid ratten för att välja för att välja träningsprogram. Välj HRC (hjärtikonen) och bekräfta genom att tryck på vridknapp.
- Vrid ratten för att välja för att ställa in ditt HRC-mål:

55%	=	55% av summan (220 minus *Ålder)
75%	=	75% av summan (220 minus *Ålder)
90%	=	90% av summan (220 minus *Ålder)
TA	=	Mål (Standard 100)

*Ålder parametern måste ställas in i "Användarinställningar"

55 % = 55 % av 220 minus din ålder,
75 % = 75 % av 220 minus din ålder.
90 % = 90 % av 220 minus din ålder.
TA = Mål (standard = 100)

Och bekräfta genom att tryck på vridknapp.

- När TA ska ställas in, Vrid ratten för att välja för att ställa in målet (40~200) och bekräfta genom att tryck på vridknapp.
- Använd UPP/NER-knapparna för att förinställa träningstiden, Inställningens intervall: 1:00 ~ 23:59:00 minuter (± 1:00)
- Tryck på START/STOPP för att starta träningspasset.
- Använd RESET för att gå tillbaka till huvudmenyn.

I Hjärtläge regleras spänningen automatiskt till en intensitet, där dina hjärtslag uppnår det förinställda HRC-målet.

!! OBS

- Cardio-läget kräver en pulssignal för att fungera.
- Frågetecken och hjärtsymbol visas i huvudfönstret när pulssignalen inte tas emot av konsolen för meddelanden.
- När pulsen tappas i mer än 5 sekunder, stängs programmet automatiskt av i pausläge.

⚠ SNABBTIPS

- Programmet "Hjärtfrekvenskontroll" fungerar bäst när användarinställningarna är korrekt inställda.

Effektkontroll i watt (W)

- Vrid ratten för att välja för att välja träningsprogram. Välj effektkontroll (W) och bekräfta genom att tryck på vridknapp.
- Vrid ratten för att välja för att ställa in effektmål i watt: 100 är förinställd standardnivå (10~350 ± 5) välj och bekräfta genom att tryck på vridknapp.
- Vrid ratten för att välja för att förinställa träningstiden, Inställningens intervall: 1:00 ~ 23:59:00 minuter (± 1:00)
- Tryck på START/STOPP för att starta träningspasset.
- Använd RESET för att gå tillbaka till huvudmenyn.

I effektläge (W) regleras spänningen automatiskt till en intensitet, där effekten uppnår det förinställda effektläget.

!! OBSERVERA

- Effektparameter är beräknad enligt rpm och spänningsnivån. När rpm är högre, blir spänningen lägre. När rpm är lägre, blir spänningen högre.

Användarprogram (U)

Programmeringsläge för användare.

Ett användarprogram som väljs öppnas alltid i programmeringsläget.

- Vrid ratten för att välja för att välja träningsprogram, Välj Användarprofil (U) och bekräfta genom att tryck på vridknapp.
- Vrid ratten för att välja för att ställa in spänningsnivån för det första profilssegmentet. Bekräfta genom att tryck på vridknapp.
- Upprepa på samma sätt för att ställa in övriga profilssegments spänningsnivå.

!! OBS

- Varje segment som du programmerar och bekräftar genom att trycka på knappen "MODE" sparas automatiskt.
- Ett förprogrammerat användarprogram kan inte raderas, men kan skrivas över för att uppdatera profilen efter dina behov.

Starta ett användarprogram

- Tryck och håll in knappen MODE i 2 sekunder när du befinner dig i programmeringsläget för att öppna tidsprogrammeringsläget.
- Vrid ratten för att välja för att förinställa träningstiden, Inställningens intervall: 1:00 ~ 23:59:00 minuter (± 1:00)
- Tryck på START/STOPP för att starta träningspasset.
- Använd RESET för att gå tillbaka till huvudmenyn.

I användarens programprofil läges regleras spänningen automatiskt till förinställd profil.

Tidslängd för varje profilssegment är 1/8-del av din förinställda träningstid.

!! OBS

- Det finns endast ett användarprogram tillgängligt per användarprofil. Se "Användarinställningar"

Recovery (Återhämtning)

Återhämtningsfunktionen registrerar hjärtats tillstånd genom att mäta hjärtfrekvensens återhämtningshastighet i antalet slag per minut. Ju snabbare din puls återvänder till det normala desto bättre tillstånd. Det är därför bäst att använda denna funktion direkt efter ditt träningspass.

- Knappen RECOVERY fungerar endast om puls detekteras.
- TIME visar "0:60" (sekunder) och räknar ner till 0.
- Datorn visar F1 till F6 efter nedräkningen för att testa hjärtfrekvensens återhämtningsstatus. Användaren hittar hjärtfrekvensens återhämtningsnivå baserad på tabellen nedan.
- Tryck på knappen RECOVERY för att gå till början.

Så här läser du testresultatet

Resultatet är baserat på din hjärtfrekvens. När du är aktiv ökar din puls i slag per minut (BPM).

När du avslutar ditt träningspass kommer din puls att stabiliseras till det normala. Ju snabbare din puls stabiliseras, desto bättre är ditt hjärttillstånd.

Om din puls sjunker med minst 31 slag/min. under testminuten kommer ditt resultat att visas som F1.

Om din puls sjunker med 25–30 slag/min. under testminuten kommer ditt resultat att visas som F2. Och så vidare.

F1	Enastående	31 +
F2	Utmärkt	25–30
F3	Bra	20–24
F4	Över genomsnittet	16–19
F5	Genomsnittligt	12–15
F6	Under genomsnittet	9–11
F7	Oroande	6–8
F8	Dåligt	3–5
F9	Mycket dåligt	0–2
F0	Fel	Fel/resultatet är negativt

!! OBS!

- Resultatdata för "Recovery" (Återhämtning) får endast användas som en personlig referens och har inget medicinskt värde.
- Om din puls ökade under testminuten kommer den att visa F0.

Body Fat (Kroppsfett)

- Tryck på knappen BODY FAT för att starta mätningen av kroppsfett.
- Under mätningen måste användaren hålla båda händerna på handtagen. LCD-display "- - - - ~ - - - -" i 8 sekunder tills datorn slutar mäta.
- LCD:n visar BMI och FAT % .

!! OBS

- Korrekt "User Profile Settings" krävs för denna funktion.

Felkoder för läget Kroppsfett

- *E-1: Ingen inmatning av hjärtfrekvens har detekterats.
- *E-4: Förekommer när FAT% och BMI-resultatet ligger under 5 eller över 50.

⚠ SNABBTIPS

- Mätfunktionen "Kroppsfett och BMI" fungerar bäst när användarinställningarna är korrekt inställda.

Bluetooth & APP

- Denna panel kan ansluta APP (Fit Hi Way) på den smarta enheten med Bluetooth. (iOS & Android).
- Upprätta Bluetooth-anslutningen endast via anslutningsläget på den installerade APP-enheten på din smarta enhet.
- När panelen har anslutits till den smarta enheten via Bluetooth stängs strömmen på panelen av.

!! OBS

- Tunturi ger dig endast möjligheten att ansluta din träningspanel med en Bluetooth-anslutning. Därför bär Tunturi inget ansvar för skador eller felfunktioner som uppstår på andra produkter än Tunturi-produkter.
- Kolla webbplatsen för extra information.

Denna konsol kan ta emot en Bluetooth-pulssändare. Det finns inget behov av att para ihop enheten eftersom konsolen automatiskt kommer att upptäcka pulssändaren när den är inom räckvidden.

Rengöring och underhåll

Utrustningen kräver inte något särskilt underhåll. Utrustningen kräver inte omkalibrering när den monteras, används eller servas i enlighet med instruktionerna.

⚠ VARNING

- Innan rengöring och underhåll, avlägsna adaptorn.
 - Använd inte lösningsmedel för att rengöra utrustningen.
 - Rengöring och underhåll får inte utföras av barn utan tillsyn.
- Rengör utrustningen med en mjuk och absorberande trasa efter varje användning.
 - Kontrollera regelbundet att alla skruvar och muttrar är åtdragna.
 - Smörj vid behov.

Fel och funktionsstörningar

Trots ständig kvalitetskontroller, kan fel och funktionsstörningar inträffa som orsakas av enskilda delar. I de flesta fallen räcker det med att byta ut den felaktiga delen.

- Om utrustningen inte fungerar korrekt, kontakta omedelbart återförsäljaren.
- Lämna utrustningens modellnummer och serienummer till återförsäljaren. Ange problemets art, förhållanden vid användning och inköpsdatum.

Felsökning:

- Om det inte finns någon signal när du tränar, kontrollera om kabeln är korrekt ansluten.

!! OBS

- Om datorn visas onormala värden, ska du installera om transformatorn och försöka igen.

Skakig eller instabil känsla under användning

Om maskinen känns instabil eller instabil under drift, är det lämpligt att justera stödfötterna för att få rammen till rätt höjd. Läs anvisningarna i den här handboken i avsnittet: "Användning"

Transport och lagring

⚠ VARNING

- Innan transport och förvaring, avlägsna adaptorn.
- Var två om att bära och förflytta utrustningen.

- Stå framför utrustningen på vardera sidan och ta ett fast grepp i handtagen. Lyft utrustningens framsida så att baksidan lyfts på hjulen. Förflytta utrustningen och sätt ner den försiktigt. Placera utrustningen på en skyddande grund för att förhindra att golvet skadas.
- Förflytta utrustningen försiktigt över ojämna ytor. Förflytta inte utrustningen till övervåningen med hjulen, utan bär utrustningen med handtagen.
- Förvara utrustningen på en torr plats med så liten temperaturvariation som möjligt.

Garanti

Tunturis åtgånggaranti

Garantivillkor

Konsumenten har rätt till tillämpliga lagliga rättigheter som anges i den nationella lagstiftningen om handel med konsumentvaror. Denna garanti begränsar inte dessa rättigheter. Köparens garanti är endast giltig om produkten används i en miljö som är godkänd av Tunturi New Fitness BV och underhålls enligt instruktionerna för den specifika utrustningen. Den produktspecifika godkända miljön och underhållsinstruktionerna anges i produktens "användarhandbok". "Användarhandboken" kan laddas ned från vår webbplats. <http://manuals.tunturi.com>

Garantivillkoren

Garantivillkoren börjar att gälla från inköpsdatumet. Garantivillkoren kan variera mellan olika länder. Kontakta en lokal återförsäljare om garantivillkoren.

Garantins omfattning

Oavsett omständigheter, ansvarar inte Tunturi New Fitness BV eller Tunturis återförsäljare för uppkomna personskador som påverkar köparen, och som innebär inkomstförlust eller andra ekonomiska följdverkningar.

Gegränsningar i garantin

Garantin gäller för arbets- och materialfel, förutsatt att redskapet är i originalmonterat skick. Garantin gäller endast fel som uppstår vid normalt bruk och då den använts enligt Tunturis instruktioner gällande montering, skötsel och användning. Tunturi New Fitness BV och Tunturis återförsäljare ansvarar ej för fel som uppkommer utanför deras kontroll.

Garantin gäller endast redskapets ursprungliga ägare och är gällande endast i de länder där det finns en godkänd Tunturi New Fitness BV återförsäljare.

Garantin gäller ej för redskap eller delar som har ändrats utan Tunturi New Fitness BV:s godkännande. Garantin gäller ej för fel som beror på normalt slitage, felaktig användning, användning i förhållanden som inte är avsett för redskapet, korrosion eller lastnings- och transportskador.

Garantin täcker inte ljud som uppstår under användning såvida dessa inte väsentligt hindrar utrustningens användning eller har orsakas av ett fel i utrustningen.

Garantin gäller inte för underhållsarbete, som rengöring, smörjning eller normal kontroll av komponenterna och inte heller för monteringsarbete som kunden själv kan göra och som inte kräver att redskapet plockas isär/sätts ihop. Det gäller till exempel byte av mätare, trampor eller andra motsvarande enkla delar. Garantireparationer utförda av andra än en godkänd Tunturi-representant, ersätts inte. Ifall instruktionerna i manualen inte följs upphävs produktens garanti.

Teknisk information

Parameter	Måttenhet	Värde
Längd	cm inch	120.5 47.4
Bredd	cm inch	59.5 23.4
Höjd	cm inch	146.5 57.7
Vikt	kg lbs	37.5 82.7
Max användarvikt	kg lbs	150.0 330.0
Transformatorutgångs-specifikationer	Spänning Ampere	9V-DC 2.0 A
Hjärtfrekvens-mätning tillgänglig via:	Handgrepps kontakt 5.0 Khz 5,3 kHz. Bluetooth (BLE) ANT+	Ja Nej Nej Ja Nej

Försäkran från tillverkaren

Tunturi New Fitness BV försäkrar att Signature E50 Upprätt cykel överensstämmer med följande standarder och direktiv:

- RoHS-direktivet (2011/65/EU)
- Allmän produktsäkerhetsförordning (GPSR) – (EU) 2023/988

Härmed förklarar Tunturi New Fitness BV att Signature E50 Upprätt cykel av radioutrustningstyp är i överensstämmelse med direktivet 2014/53/EU.

Försäkran om överensstämmelse, inklusive alla standarder och direktiv, kan laddas ner från vår webbplats: <https://doc.tunturi.com>

Tunturi New Fitness BV
Purmerweg 1
1311 XE Almere
Nederländerna

Friskrivning

© 2025 Tunturi New Fitness BV
Alla rättigheter förbehållna.

- Produkten och handboken kan komma att ändras.
- Specifikationer kan ändras utan förvarning.
- På vår webbplats finns den senaste bruksanvisningen.

Suomeksi

Tämä suomennettu käyttöohje on käännetty Englannin kielestä. Pidätämme oikeudet mahdollisiin käännösvirheisiin. Käännös tehty virallisen, englanninkielisen version pohjalta.

Sisältö

Tervetuloa.....	90
Turvallisuusvaroitukset	90
Sähköturvallisuus	91
Kokoamisohjeet.....	91
Kuvan A kuvaus	91
Kuvan B kuvaus	91
Kuvan C kuvaus	91
Kuvan D kuvaus	91
Asennusta koskevia lisätietoja	91
Lisätietoja ympäristöstä.....	91
Harjoitukset.....	92
Ohjeita harjoittelua varten	92
Syke.....	92
Käyttö.....	93
Tukijalkojen säätö	93
Konsolin säätäminen	93
Istuimen säätö vaakasuunnassa.....	93
Istuimen säätö pystysuunnassa	93
Ohjaustangon säätö.....	93
Virtalähde.....	93
Ohjauspaneeli	94
Näytön toimintojen selitys.....	94
Painikkeiden selitykset	95
Toiminta.....	95
Ohjelmat.....	95
Käyttäjän asettaminen.....	96
Käsin.....	96
Ohjelmaprofiili 1~12	96
Sykeohjelma	96
Wattimääräohjelma (W).....	97
Käyttäjäohjelma (U)	97
Recovery (Palautuminen)	97
Body Fat (Kehon rasvan mittaus).....	97
Sovellus & Bluetooth.....	98
Puhdistus ja huolto	98
Viat ja häiriöt	98
Kuljetus ja säilytys	98
Takuu	98
Tekniset tiedot.....	99
Valmistajan vakuutus	99
Vastuuvapauslauseke.....	99

Tervetuloa

Tervetuloa Tunturi Fitness -maailmaan!

Kiitämme sinua tämän Tunturi-laitteen ostosta. Tunturi tarjoaa laajan valikoiman ammattimaisia kuntoilulaitteita, mukaan lukien crosstrainerit, juoksumatot, kuntopyörät, soutilaitteet, voimapenkit ja moniasemat.

Tunturi-laite sopii koko perheelle kuntotasosta riippumatta. Katso lisätiedot verkkosivuiltamme www.tunturi.com

Tärkeitä turvallisuusohjeita

Tämä opas on olennainen osa kuntolaitettasi. Perekhy ohjeisiin huolellisesti ennen kuin alat käyttää kuntolaitettasi. Noudata aina seuraavia varotoimia:

Turvallisuusvaroitukset

⚠ VAROITUS

- Lue turvallisuusvaroitukset ja -ohjeet. Turvallisuusvaroitusten ja -ohjeiden jättäminen noudattamatta voi aiheuttaa henkilön loukkaantumisen tai laitevaurion. Säilytä turvallisuusvaroitukset ja -ohjeet myöhempää käyttöä varten.

⚠ VAROITUS

- Sykkeenvältojärjestelmät saattavat olla epätarkkoja. Liiallinen harjoittelu saattaa aiheuttaa vakavia vammoja tai kuoleman. Jos tunnet olosi heikoksi, lopeta harjoittelu heti.

- Laite on sopiva vain kotikäyttöön. Laite ei ole sopiva kaupalliseen käyttöön.
- Enimmäiskäyttö on rajoitettu 5 tuntiin päivässä
- Tätä laitetta voivat käyttää 8-vuotiaat ja sitä vanhemmat lapset sekä henkilöt, joilla on heikentyneet fyysiset, aistilliset tai henkiset kyvyt tai joilla ei ole kokemusta ja tietoa, jos heitä valvotaan tai heille on annettu ohjeet laitteen turvalliseen käyttöön ja he ymmärtävät laitteen käyttöön liittyvät vaarat.
- Lapsia on valvottava, jotta varmistetaan, etteivät he leiki laitteella.
- Ennen harjoituksen aloittamista ota yhteys lääkäriin terveystarkastusta varten.
- Jos sinulla on pahoinvointia, huimausta, tai muita epätavallisia oireita, lopeta välittömästi harjoitus ja ota yhteys lääkäriin.
- Vältä lihaskipuja ja venähdyksiä aloittamalla jokainen harjoitus lämmittelyjaksolla ja pääätä jokainen harjoitus jäähdyttelyjaksolla. Muista venytellä harjoittelun lopuksi.
- Laite on sopiva vain sisäkäyttöön. Laite ei ole sopiva ulkokäyttöön.
- Käytä laitetta riittävällä tuuletuksella varustetuissa tiloissa. Älä käytä laitetta vetoisissa tiloissa välttääksesi kylmetymisen.
- Käytä laitetta vain ympäristölämpötilassa 10 °C - 35 °C. Säilytä laitetta vain ympäristölämpötilassa 5 °C - 45 °C.
- Älä käytä tai säilytä laitetta kosteissa tiloissa. Ilmankosteus ei saa koskaan olla yli 80 %.
- Käytä laitetta vain sen aiottuun tarkoitukseen. Älä käytä laitetta muihin, kuin tässä käyttöoppaassa esitettyihin tarkoituksiin.
- Älä käytä laitetta, jos sen jokin osa on vaurioitunut tai viallinen. Jos osa on vaurioitunut tai viallinen, ota yhteys jälleenmyyjään.
- Pidä kätesi, jalkasi ja kehon muut osat pois liikkuvista osista.
- Pidä hiuksesi pois liikkuvista osista.
- Käytä asianmukaista vaatetusta ja kenkiä.
- Pidä vaatteet, korut ja muut esineet pois liikkuvista osista.
- Varmista, että vain yksi henkilö kerrallaan käyttää laitetta. Yli 135 kg (300 lbs) ainava henkilö ei saa käyttää laitetta.
- Älä avaa laitetta ilman yhteydenottoa jälleenmyyjääsi.

Sähköturvallisuus

- Varmista aina ennen käyttöä, että sähkölähteen jännite on sama kuin laitekilvessä ilmoitettu laitteen nimellisjännite.
- Älä käytä jatkojohtoa.
- Pidä virtajohto pois kuumasta, öljystä ja terävistä kulmista.
- Älä tee muutoksia virtajohtoon tai pistokkeeseen.
- Älä käytä laitetta, jos virtajohto tai virtajohdon pistoke on vaurioitunut tai viallinen. Jos virtajohto tai virtajohdon pistoke on vaurioitunut tai viallinen, ota yhteys jälleenmyyjäsi.
- Suorista aina virtajohto täysin.
- Älä vie virtajohtoa laitteen alitse. Älä laita virtajohtoa maton alle. Älä laita virtajohdon päälle mitään esineitä.
- Varmista, ettei virtajohto roiku pöydän kulman yli. Varmista, ettei virtajohtoon voi vahingossa tarttua kiinni tai kompastua.
- Älä jätä laitetta ilman valvontaa virtajohdon ollessa liitettyinä pistorasiaan.
- Älä vedä pistoketta irti pistorasiasta virtajohdosta vetämällä.
- Irrota pistoke pistorasiasta, kun laite ei ole käytössä, ennen asennusta tai purkamista ja ennen puhdistusta sekä huoltoa.

⚠ VAROITUS

- Älä koskaan käytä vettä tai mitään muuta nestettä suoraan laitteen päällä tai lähellä. Jos laitteen puhdistamiseen tarvitaan nestettä, käytä kosteaa liinaa.
- Nesteen käyttäminen suoraan laitteessa on haitallista laitteen osille, ja tästä syntyvä oikosulku voi aiheuttaa sähköiskun. Seurauksena voi olla vakava vamma tai jopa kuolema.
- Laitetta saa käyttää ainoastaan laitteen mukana toimitetun virtalähteen kanssa.

Kokoamisohjeet

Kuvan A kuvaus

Kuvassa on esitetty, miltä harjoituslaite näyttää, kun asennus on saatu valmiiksi.

Voit käyttää tätä viitteenä asennuksen aikana, mutta tee asennusvaiheet aina oikeassa järjestyksessä kuvien mukaisesti.

Kuvan B kuvaus

Kuvassa on esitetty, mitä komponentteja ja osia sinun tulisi löytää poistaessasi tuotteen pakkauksesta.

!! HUOMAUTUS!!

- Pienet osat voivat olla piilossa / pakattuina Styrofoam-tuotesuojan koloihin.

Kuvan C kuvaus

Kuvassa on esitetty tuotteesi mukana tuleva välinepaketti. Välinepaketti sisältää pultit, aluslaatat, ruuvit, mutterit jne. sekä tarvittavat työkalut harjoittelulaitteen asianmukaiseen asennukseen.

Kuvan D kuvaus

Kuvassa on esitetty oikea järjestys, jota noudattamalla harjoittelulaitteen asennus onnistuu parhaiten.

⚠ VAROITUS

- Kokoonpane laite esitetyssä järjestyksessä.
- Vähintään kahden henkilön on kannettava ja siirrettävä laitetta.

⚠ HUOMAUTUS

- Sijoita laite kovalle, tasaiselle alustalle.
- Asettakaa laite suojaalustalle lattiapinnan vaurioiden estämiseksi.

- Varaa vähintään 100 cm tilaa laitteen ympärille.
- Katso piirroksesta laitteen oikea asennus.

Asennusta koskevia lisätietoja

D3 Polkimien asentaminen oikein.

!! HUOMAUTUS!!

- Oikea ja vasen puoli on määritelty harjoitteluasennosta katsottuna.

Oikean puolen poljin

Etsi "R"- tai "L"-merkki poljinakselista.

- Asenna oikean puolen poljin "R" oikean puolen poljinkampeen.
- Käännä ensin poljinakselia myötöpäivään käsin.
- Kiristä poljin kunnolla käyttämällä jakoavainta.

Vasemman puolen poljin

- Asenna vasemman puolen poljin "L" vasemman puolen poljinkampeen.
- Käännä ensin poljinakselia vastapäivään käsin.
- Kiristä poljin kunnolla käyttämällä jakoavainta.



Katso YouTube-ohjevideomme napsauttamalla <https://youtu.be/3BiN9mc5Tmw?t=101>

Lisätietoja asennuksen vaiheesta D4 & D5

- Liitä toisiinsa runko-osasta tuleva kaapeli ja kaapelin alaosa, joka on kiinnitetty valmiiksi pystyputkeen.
- Aseta pystyputki runko-osan kiinnikkeeseen, johon kiinnityspultit on asennettu valmiiksi ja jätetään paikoilleen. (Kun lasket pystyputkea alas, vedä kaapelin yläosaa varovasti ylöspäin välttääksesi kaapelin tarttumisen liitäntään.)
- Pystyputken pitäisi löytää keski kohta automaattisesti, mutta suosittelimme, että asento korjataan, jos siihen on vähänkin tarvetta, hyvän asennon varmistamiseksi.
- Asento on täydellinen, kun kiinnityspultit ovat aivan keskellä pystyputken reikien kohdilla.

!! HUOMAUTUS!!

- Estä osien välisen kaapeliliitännän jääminen puristuksiin kiinnittämällä kaapelin liitin kannakkeeseen.
- Kiinnittämällä molemmat pultit (myötöpäivään kiertäen) etupuolelle saat suurennettua kiinnikettä siten, että pystyputki kiinnittyy tukevasti.

- Pystyputken tukeva kiinnitys vaatii, että yläosan pultti kiristetään ensin lujasti.
- Kun ylempi pultti on kiinnitetty, on kiinnitettävä alempi pultti lujasti.
- Kun alempi pultti kiinnitetään, pystyputki siirtyy hieman, minkä seurauksena ylempää pulttia voidaan kiristää hieman lisää. Siksi ylempi pultti on syytä kiristää uudelleen.
- Toista näitä vaiheita, kunnes molemmat pultit ovat tiukalla, jotta pystyputken kiinnityksestä tulee hyvä.



Katso YouTube-ohjevideomme napsauttamalla <https://youtu.be/3BiN9mc5Tmw?t=180>

!! ILMOITUS

- Kun olet suorittanut asennuksen loppuun, pane tämän tuotteen mukana toimitetut työkalut talteen tulevia huoltotoimia varten.

Lisätietoja ympäristöstä

Pakkauksen hävittäminen

Lainsäädäntö ohjeistaa meitä vähentämään kaatopaikoille toimitetun jätteen määrää. Sen vuoksi pyydämme sinua toimittamaan kaikki pakkausjätteet sitä varten tarkoitettuun kierrät

Laitteen hävittäminen käyttöiän päättyessä

Me Tunturilla toivomme, että iloitset kuntolaitteestasi vuosia. Jokainen kuntolaite tulee kuitenkin aikanaan oman käyttöikänsä loppuun. Kotitalouksien sähkö- ja elektroniikkalaiteromua käsittelevien eurooppalaisten määräysten (WEEE) mukaan sinun kuuluu toimittaa kuntolaitteesi sitä varten tarkoitettuun keräyspaikkaan.

Harjoitukset

Harjoituksen on oltava sopivan kevyt, mutta pitkäkestoinen. Aerobic-harjoitus perustuu kehon maksimi hapenottokyvyn parantamiseen, mikä puolestaan parantaa kestävyyttä ja kuntotasoa. Harjoituksen aikana sinun tulisi hikoilla, mutta sinun ei tulisi hengästyä. Harjoittele vähintään kolme kertaa viikossa 30 minuuttia peruskuntotason saavuttamiseksi ja ylläpitämiseksi. Paranna kuntotasoasi lisäämällä harjoituskertojen määrää. On hyödyllistä yhdistää säännöllinen harjoitus terveelliseen dieettiin. Dieettiin sitoutuneen henkilön tulisi harjoitella päivittäin, ensi alkuun korkeintaan 30 minuuttia ja vähitellen lisäten päivittäinen harjoitusaika yhteen tuntiin. Aloita harjoituksesi hitaalla nopeudella ja pienellä vastuksella estääksesi liiallisen rasituksen sydän-verisuonijärjestelmään. Nopeutta ja vastusta voidaan vähitellen lisätä kuntotason parantuessa. Harjoituksesi tehokkuus voidaan mitata seuraamalla sydämesi lyöntinopeutta ja pulssisi nopeutta. Lisää nopeutta ja vastusta vähitellen oman kuntosi mukaan. Pidä pää pystyssä ja kaula suorana välttääksesi stressiä kaulassa, hartioissa ja selässä. Pidä selkäsi suorana. Varmista, että jalkasi ovat keskellä polkimia ja että lantio, polvet, nilkat ja varpaat ovat suoraan eteenpäin. Pidä painosi alaruumiin yläpuolella, huolimatta siitä, nojaatko eteenpäin vai seisotko suorana. Lopeta harjoitusjakso vähentämällä nopeutta ja vastusta vähitellen. Muista venyttellä harjoittelun loppuksi.

Ohjeita harjoittelua varten

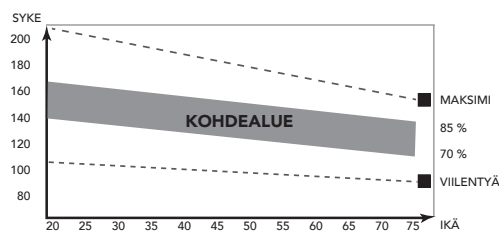
Kuntolaitteen käyttö tarjoaa monia etuja: se parantaa fyysistä kuntoa, kiinteyttää lihaksia ja hallittuun ruokavalion yhdistettynä se auttaa myös pudottamaan painoa.

Lämmittelyvaihe

Tämän vaiheen tarkoituksena on saada veri virtaamaan nopeammin ympäri kehoa ja panna lihakset tekemään työtä. Lämmittely vähentää myös kramppien ja lihasvammojen riskiä. Suosittelemme, että teet muutaman venyttelyharjoituksen alla olevan kuvan mukaisesti. Jokaisen venytyksen tulisi kestää noin 30 sekuntia. Älä tee venytyksiä väkisin tai nykäisten - jos tunnet kipua, LOPETA.

Harjoitteluvaihe

Tämä on se vaihe, jossa ponnistelet. Säännöllisen harjoittelun tuloksena jalkojesi lihakset tulevat joustavammiksi. Tässä vaiheessa on hyvin tärkeää ylläpitää tasaista nopeutta koko ajan. Rasituksen tulisi olla riittävän suuri, jotta sykkeesi nousee tavoitealueelle alla olevan kaavion mukaisesti



Tämän vaiheen tulisi kestää vähintään 12 minuuttia, mutta useimmilla aloittelijoilla se on noin 15-20 minuuttia.

Jäähdyttelyvaihe

Tämän vaiheen tarkoituksena on antaa verenkiertojärjestelmäsi ja lihaksiesi palautua. Jäähdyttelyssä toistetaan lämmittelyvaiheen harjoitukset vähentämällä ensin nopeutta ja jatkamalla tällä nopeudella noin 5 minuuttia. Toista sitten venyttelyharjoitukset pitäen mielessä, että venytyksiä ei saa tehdä väkisin tai nykäisten. Kun kuntosi nousee, voit tarvita pidempiä ja raskaampia harjoituksia. On suositeltavaa treenata vähintään kolme kertaa viikossa, ja harjoittelut olisi hyvä jakaa tasaisesti viikon varrelle.

Lihasten kiinteytys

Jos tavoitteenasi on lihasten kiinteytys, sinun pitää asettaa vastus suureksi. Silloin jalkojesi lihakset rasittuvat enemmän, etkä ehkä pysty treenaamaan niin pitkään kuin haluaisit. Jos tavoitteenasi on myös kunnan kohentaminen, sinun pitää muuttaa harjoitteluojelmaasi. Harjoittele lämmittely- ja jäähdyttelyvaiheissa normaalisti, mutta lisää vastusta harjoitteluvaiheessa, jotta jalkasi joutuvat tekemään enemmän työtä. Vähennä tarvittaessa nopeutta, jotta sykkeesi pysyy tavoitealueella.

Painon pudotus

Ratkaisevaa on se, miten rasittavaa harjoittelua on. Mitä enemmän ja mitä pidempään harjoittelet, sitä enemmän poltat kaloreita. Vaikutus on sama kuin jos harjoittelisit kunnan kohentamiseksi, vaikka tavoite on nyt toinen.

Syke

Pulssinopeuden mittaus (käsipulssianturit)

Pulssinopeus mitataan käsitukiäntureilla käyttäjän koskettaessa kumpaakin anturia samanaikaisesti.

Pulssi saadaan mitattua mahdollisimman tarkasti, kun iho on hieman kostea ja se koskettaa koko ajan käsipulssiantureita. Jos iho on liian kuiva tai liian kostea, pulssinopeuden mittaus voi olla epätarkempi.

!! ILMOITUS

- Älä käytä käsipulssiantureita yhdessä sykevyön kanssa.
- Jos asetat rajan sydämen lyöntinopeudelle, rajan ylityessä kuuluu äänihälytys.

Sykkeen mittaus (sykevyö)

!! ILMOITUS

- Tämän laitteen vakioitoimitukseen ei sisälly sykevyötä. Jos haluat käyttää langatonta sykevyötä, sinun on ostettava se erikseen.

Tarkin sydämen lyöntinopeus saadaan sykevyöllä. Sykemittaus tapahtuu käyttöliittymän sykevastaanottimen ja sykevyön lähettimen avulla. Tarkka sydänmittaus edellyttää lähettimen elektrodien olevan hieman kosteita ja jatkuvassa kosketuksessa ihoon. Jos elektrodit ovat liian kuivia tai liian kosteita, sykkeen mittaus voi olla epätarkempi.

⚠ VAROITUS

- Jos sinulla on sydäntahdistin, ota yhteys lääkäriin ennen sykevyön käyttöä.

⚠ HUOMAUTUS

- Jos useita sykemittauslaitteita on vierekkäin, varmista, että niiden keskinäinen etäisyys on vähintään 2 metriä.
- Varmistu, että laitteen sykevastaanottimen ja sykevyön lähettimen kantomatkan sisällä ei ole muita lähettäjiä, jotka voisivat aiheuttaa häiriöitä mittauksessa.

!! ILMOITUS

- Älä käytä sykevyötä yhdessä käsipulssiantureiden kanssa.
- Pidä aina sykevyötä vaatteittesi alla suorassa kosketuksessa ihoosi. Älä pidä sykevyötä vaatteittesi päällä. Jos pidät sykevyötä vaatteittesi päällä, signaalia ei ole.

- Jos asetat rajan sydämen lyöntinopeudelle, rajan ylittyessä kuuluu äänihälytys.
- Lähetin lähettää sykkeen korkeintaan 1,5 metrin etäisyydellä olevaan ohjauspaneeliin. Jos elektrodit eivät ole kosteita, sydämen lyöntinopeus ei tule näytölle.
- Jotkin vaatteiden kuidut (esim. polyesteri, polyamidi) synnyttävät staattista sähköä, mikä voi estää tarkan sydämen lyöntinopeuden mittauksen.
- Matkapuhelimet, televisiot ja muut sähkölaitteet luovat sähkömagneettisen kentän, joka voi estää tarkan sydämen lyöntinopeuden mittauksen.

Suurin sallittu sydämen lyöntinopeus (harjoituksen aikana)

Suurin sallittu sydämen lyöntinopeus on suurin lyöntinopeus, jonka henkilö voi turvallisesti saavuttaa harjoituksen rasituksella. Seuraavaa kaavaa käytetään laskemaan keskimääräinen suurin sallittu sydämen lyöntinopeus: 220 - IKÄ. Suurin sallittu sydämen lyöntinopeus vaihtelee henkilöstä toiseen.

VAROITUS

- Varmista, ettet ylitä sydämesi suurinta sallittua lyöntinopeutta harjoituksen aikana. Jos kuulut riskiryhmään, ota yhteys lääkäriin.

Aloittelija

50-60% suurimmasta sallitusta sydämen lyöntinopeudesta

Sopiva aloittelijoille, painonvartijoille, toipilaille, ja henkilöille, jotka eivät ole harjoitelleet pitkään aikaan. Harjoittele vähintään kolme kertaa viikossa, 30 minuuttia kerrallaan.

Edistynyt

60-70% suurimmasta allitusta sydämen lyöntinopeudesta

Sopiva henkilöille, jotka haluavat parantaa ja ylläpitää kuntoaan. Harjoittele vähintään kolme kertaa viikossa, 30 minuuttia kerrallaan..

Ekspertti

70-80 % suurimmasta sallitusta sydämen lyöntinopeudesta

Sopiva kunnoltaan erittäin hyvillä henkilöille, jotka ovat tottuneet pitkäkestoisin harjoituksiin.

Käyttö

Tukijalkojen säätö

Laitteessa on säädettävät tukijalat.

Jos laite tuntuu epävakaalta tai huteralta tai se ei ole tasapainossa, tämä voidaan korjata tukijalkoja säätämällä.

- Käännä tukijalat sisään/ulos tarpeen mukaan, jotta saat laitteen tukevaan asentoon ja mahdollisimman hyvin vaakatasoon.
- Lukitse tukijalat kiristämällä lukkomutterin holkit*.

!! HUOMAUTUS

- Laitteet ovat vakaimmillaan, kun ne ovat mahdollisimman lähellä lattiaa. Aloita sen vuoksi laitteiston tasapainotus kääntämällä kaikki tukijalat kokonaan sisään, ennen kuin käännät tarvittavat tukijalat ulos laitteen vakauttamiseksi ja tasapainottamiseksi.



Katso YouTube-ohjevideomme napsauttamalla <https://youtu.be/3BiN9mc5Tmw?t=535>

Konsolin säätäminen

Konsolin katselukulmaa voidaan säätää käyttäjän pituuden ja treenasennon mukaan.

- Säädä konsoli vapaasti haluttuun asentoon. Kiinnitysasentoa ei tarvitse vapauttaa.
- Konsolin pidikkeen kannatin kiinnittyy automaattisesti.

!! HUOMAUTUS

- Kun konsoli ei pysty pitämään haluttua asentoa tukevasti, kiinnitystä on helppo kiristää.
- Irrota nivelen pyöreät päätylevyt ja kiristä paljastuneita ruuveja hieman haluamaasi tiukkuuteen, jossa konsoli pysyy lujasti, mutta silti riittävän tasaisesti katselukulman säätämiseksi.

Istuimen säätö vaakasuunnassa

Istuinta voidaan säätää vaakasuorassa asettamalla istuin haluttuun kohtaan.

- Löysää istuimen säätönuppia.
- Siirrä istuin haluttuun kohtaan.
- Kiristä istuimen säätönuppi.

Istuimen säätö pystysuunnassa

Istuinta voidaan säätää pystysuorassa asettamalla istuin haluttuun kohtaan. Jalka lähes suorana jalkaholvin on koskettettava jalkapoljinta sen alimmassa pisteessä.

- Löysää istuinputken säätönuppia.
- Siirrä istuinputki haluttuun kohtaan.
- Kiristä istuinputken säätönuppi.



Katso YouTube-ohjevideomme napsauttamalla <https://youtu.be/3BiN9mc5Tmw?t=486>

Ohjaustangon säätö

Ohjaustanko voidaan säätää käyttäjän pituuden ja harjoitusasennon mukaisesti.

- Löysää ohjaustangon säätönuppia.
- Siirrä ohjaustanko haluttuun kohtaan.
- Kiristä ohjaustangon säätönuppi.

!! HUOMAUTUS

- Ohjaustangon säätökahvassa on jousikuormitteinen järjestelmä, jotta kahva on helppo asettaa mihin tahansa asentoon ohjaustangon kiinnittämisen jälkeen.
- Vedä kahvaa ulospäin ja paina samalla keskipainiketta peukalolla, jolloin voit liikuttaa kahvaa vapaasti. Vapauta aktivoitaksesi kiinnitys-/vapautustoiminnon uudelleen.

Virtälähde

Virtälähde kuntolaitteessa on ulkoinen virtälähde. Katso oheisesta kuvasta, missä kuntolaitteesi virtapistee sijaitsee. (Kuva. E)

!! ILMOITUS

- Kiinnitä muuntaja laitteeseen ennen kuin yhdistät sen pistorasiaan.
- Irrota virtajohto seinästä aina kun laitetta ei käytetä.

Ohjauspaneeli



1. Näyttö
2. Taulu/ kirja teline
3. Painikkeet
4. USB latausportti

⚠ HUOMAUTUS

- Pidä ohjauspaneeli pois suorasta auringonvalosta.
- Kuivaa ohjauspaneelin pinta, jos siihen on tippunut hikeä.
- Älä nojaa ohjauspaneeliin.
- Kosketa näyttöä vain sormenpäälläsi. Älä kosketa näyttöä kynsilläsi tai terävillä esineillä.

!! ILMOITUS

- Ohjauspaneeli siirtyy valmiustilaan, kun laitetta ei ole käytetty 4 minuuttia.

Näytön toimintojen selitys

Time (harjoitusaika)

- Jos tavoitearvoa ei aseteta, harjoitusaika lasketaan eteenpäin.
- Jos on asetettu tavoitearvo, harjoitusaika lasketaan tavoitearvosta taaksepäin 0:an, joka ilmoitetaan äänimerkillä tai valolla. Mikäli harjoittelua jatketaan vielä tavoitteen saavuttamisen jälkeen, aika lasketaan eteenpäin.
- Näyttöalue: 00:00:00 ~ 23:59:59.

Ylimääräinen ajanäyttö (tablettipidikkeen alla) kaksinkertaistaa Time (aika) -ikkunan; rajoitettu näyttämään vain minuutit ja sekunnit.

Speed

- Esittää senhetkisen harjoittelunopeuden.
- Näyttöalue: 0.0 ~ 99.9 km/h.
- Jos näyttö ei harjoittelun aikana vastaanota signaalia 4 sekuntiin, näytön SPEED on "0.0"

Ylimääräinen nopeusnäyttö (tablettipidikkeen alla) kaksinkertaistaa Speed (nopeus) -pääikkunan.

RPM

- Näyttää kierrokset minuutissa
- Näyttöalue: 0 - 15 ~ 999 RPM.
- Jos näyttö ei harjoittelun aikana vastaanota signaalia 4 sekuntiin, näytön RPM on "0"

Watt (watit)

- Esittää harjoittelun senhetkisen tehon.
- Näyttöalue: 0 ~ 999 Watt.

- ▲ Level (Teho) -ikkunassa näytetään symboli, kun asetettu tavoitetehto on pienempi kuin nykyinen harjoituksen wattiteho. Poljet liian nopeasti tai tavoite on asetettu liian alhaiseksi.
- ▼ Level (Teho) -ikkunassa näytetään symboli, kun asetettu tavoitetehto on suurempi kuin nykyinen harjoituksen wattiteho. Poljet liian hitaasti tai tavoite on asetettu liian korkeaksi.

Level

- Näyttää jännitteen tason säätämisen vastuksen säätämisen aikana 3 sekunnin ajans.

- ▲ Symboli vilkkuu Level (taso) -ikkunassa ennalta ohjelmoidulla profiililla harjoiteltaessa 3 sekunnin ajan, ennen kuin vastustaso siirtyy ylöspäin. Tämä ilmoittaa sinulle profiilin mukaisesta tulevasta vastuksen lisäyksestä.
- ▼ Symboli vilkkuu Level (taso) -ikkunassa ennalta ohjelmoidulla profiililla harjoiteltaessa 3 sekunnin ajan, ennen kuin vastustaso siirtyy alaspäin. Tämä ilmoittaa sinulle profiilin mukaisesta tulevasta vastuksen vähennyksestä.

!! HUOMAUTUS

- Jos aikataavoitetta ei ole asetettu, nuoli ylös/alas -symbolit eivät ilmoita vastustason säätämisestä 3 sekuntia ennen vastustason muuttamista.

Distance (harjoitusmatka)

- Jos tavoitearvoa ei aseteta, harjoitusmatka lasketaan eteenpäin.
- Jos on asetettu tavoitearvo, harjoitusmatka lasketaan tavoitearvosta taaksepäin 0:an, joka ilmoitetaan äänimerkillä tai valolla. Mikäli harjoittelua jatketaan vielä tavoitteen saavuttamisen jälkeen, harjoitusmatkaa lasketaan eteenpäin.
- Näyttöalue: 0.00 ~ 99.99 KM.

Ylimääräinen matkanäyttö (tablettipidikkeen alla) kaksinkertaistaa Distance (matka) -pääikkunan.

Calories (energiankulutus)

- Jos tavoitearvoa ei aseteta, kalorit lasketaan eteenpäin.
- Jos on asetettu tavoitearvo, kalorit lasketaan tavoitearvosta taaksepäin 0:an, joka ilmoitetaan äänimerkillä tai valolla. Mikäli harjoittelua jatketaan vielä tavoitteen saavuttamisen jälkeen, kalorit lasketaan eteenpäin.
- Näyttöalue: 0 ~ 999 kaloria.

!! HUOM

- Nämä tiedot ovat karkeita ohjeita erilaisten harjoittelujen vertailua varten, eikä niitä voida käyttää lääketieteellisen hoidon pohjana.

Pulse (syke)

- Senhetkinen syke esitetään 6 sekunnin kuluttua siitä, kun konsoli havaitsee signaalin.
- Jos konsoli ei vastaanota sykkeen signaalia 6 sekuntiin, näytössä näkyy "P".
- Konsoli antaa varoitusäänen, jos senhetkinen syke ylittää tavoitesykkeeseen.
- Näyttöalue: 0 - 40 ~ 200 lyöntiä minuutissa

!! HUOMAUTUS

- Punainen sykkeen kuvake vilkkuu, kun syke on saavutettu. Sykkeen näyttämiseen lukuna menee muutama sekunti tarvittavan keskiarvon laskentaprosessin vuoksi.
- Mitattua arvoa ei voi käyttää lääketieteellisen hoidon pohjana.

Ylimääräinen sykenäyttö (tablettipidikkeen alla) kaksinkertaistaa Pulse (syke) -pääikkunan.

Nelivärinen sykealueen näyttö.

Nelivärinen sykenäyttö näyttää sykealueesi käyttäjän asetetun iän perusteella prosenttiarvona.

Laskenta on seuraavanlainen.

Mittaa syke ja jaa se maks.- sykkeellä, kerro tulos 100:lla.

Maksimisyke miehillä (220 – ikä)

Maksimisyke naisilla (226 – ikä)

BAI™

- Näytä BAI-kulutuksen BAI-arvo harjoittelun aikana.
- Näyttöalue 0~999

!! HUOM

- BAI (Body Activity Index, kehon aktiivisuusindeksi) on tehokkaan harjoitusvolyymin summa.
- Harjoitusvolyymi = harjoituksen rasiustaso x harjoitusaika.

BAI laskee tehokkaan harjoitusvolyymin sykkeesi, ikäsi, sukupuolesi ja keston perusteella.

Näet harjoittelun aikana, miten BAI kertyy. Heti kun päätät harjoituskerran, saat kyseisen harjoituskerran BAI-kokonaispistemäärän, joka tarkoittaa kyseisen harjoituskerran tehokasta harjoitusvolyyymiä yhteensä.

Jos harjoittelet kovempaa, korkeammalla sykealueella, saat BAI-pisteitä nopeammin. Jos harjoittelet kevyemmin, matalammalla sykealueella, saat BAI-pisteitä hitaammin.

Suosittellemme harjoittelemaan niin, että BAI-pisteitä kertyy 100 joka viikko, jolloin vahvistat sydämesi toimintaa.

Keskusnäyttö

- Ylärivillä näkyvät ohjelmaprofiilit.
- Oikeassa yläkulmassa näkyy valittu käyttäjä (U1, U2, U3, U4)
- Alempi pistenäyttö esittää ohjelmaprofiilin rasiustasokäyrän graafisessa muodossa.
- * Vastuksen säädössä: Jokainen piste merkitsee kahta vastustasoa.
- * HRC-tilassa: Jokainen piste merkitsee vastustasoa aivan kuin säädettäisiin vastusta.
- * Wattimäärätilassa: Jokainen piste merkitsee vastustasoa aivan kuin säädettäisiin vastusta.

Painikkeiden selitykset

Käännä säätönappia myötöpäivään (Ylös)

- Kääntämällä valintapyörää myötöpäivään suurennat arvoa.
- Kääntämällä valintapyörää myötöpäivään

Käännä säätönappia vastapäivään (Alaspäin)

- Kasvattaa vastusta harjoituksen aikana.
- Kääntämällä valintapyörää vastapäivään pienennät arvoa.

Paina säätönappia (mode/ enter)

- Vahvista asetus tai valinta.
- Pysäytä näytön skannaustoiminto ja korjaa nykyinen parametri keskusnäytössä ollessasi harjoittelutilassa.
- Siirry seuraavaan parametriin, kun olet kiinteässä näyttötilassa.

!! HUOMAUTUS

- Kun skannaustila on pysäytetty asettamalla tietty parametri, skannaustoiminto voidaan aktivoida uudelleen vain keskeyttämällä harjoitus ja käynnistämällä se uudelleen painamalla "Start/Stop"-painiketta kahdesti.

Reset

- Voit nollata senhetkiset toiminnon arvot painamalla asetustilassa RESET-näppäintä.
- Pitämällä RESET-näppäintä alaspainettuna 3 sekunnin ajan nollaat kaikki toimintojen arvot

Start/ Stop

- Käynnistää tai pysäyttää (Tauko) harjoituksen.

Body fat

- Kehon rasvan mittaus ja painoindeksi

Recovery

- Kun konsoli on havainnut sykkeen signaalin, siirry palautumistilaan painamalla RECOVERY-näppäintä, jotta voit valvoa sykkeen palautumiskykyä

Toiminta

Laitteen kytkeminen päälle

- Laita pistotulppa pistorasiaan, tietokone käynnistyy ja näyttää LCD:llä kaikki segmentit 2 sekuntia.
- Voit aktivoida virransäästötilassa olevan konsolin painamalla mitä tahansa näppäintä.
- Voit aktivoida virransäästötilassa olevan konsolin alkamalla polkea.

!! HUOMAUTUS

- Konsoli vaihtaa lepotilaan, kun laitetta ei käytetä 4 minuuttiin.

Lepotila


Kun konsoli on lepotilassa, kaikki tietoikkunat pimenevät, ikään kuin laite olisi sammutettu.

Laitteen kytkeminen pois päältä

- Virtalähde on irrotettava harjoituslaitteen virran katkaisemiseksi.

Harjoituksen valitseminen

Käytä valintapyörää valitaksesi seuraavat:

M	Käsin
P1 ~ P12	Ohjelmaprofiili 1 ~ 12
	Sykeohjelma
W	Wattimääräohjelma
U	Käyttäjän ohjelma

USB funktio

Voit ladata USB-liitännällä varustetun laitteesi harjoittelun aikana. Jännite/ virta: 5VDC/ 1.0 Amp

Ohjelmat

Pika-aloitus

- Paina START/STOP-painiketta aloittaaksesi harjoittelun ilman ennalta määritettyjä asetuksia.
- Käytä valintapyörää YLÖS/ALAS säätääksesi vastustasoa harjoittelun aikana.

Lopeta harjoituksesi

- Pysäytä/keskeytä harjoituksesi painamalla START/STOP-painiketta harjoittelutilassa.
- Jatka harjoitustasi painamalla START/STOP-painiketta taukotilassa.
- Nollaa kaikki harjoitustiedot painamalla RESET-painiketta (taukotilassa).
- Nollaa konsoli painamalla RESET-painiketta yhtäjaksoisesti yli 3 sekunnin ajan. (Käynnissä olevan harjoituksen tiedot menetetään.)

⚠ VINKKI

- Kun olet taukotilassa, voit säätää tavoitteitasi "Mode-valintapainikkeella".
- Paina tilaa valitaksesi: Time (aika) / Distance (matka) / Calories (kalorit) ja/tai Pulse (syke).
- Aseta haluamasi tavoite valintapyörällä ja paina "Mode"-painiketta halutessasi seuraavaan parametriin siirtymiseksi tai paina "Start/Stop"-painiketta harjoituksen jatkamiseksi.

Käyttäjän asettaminen

Käyttäjä voidaan valita, kun konsoli on käynnistystilassa. Kun konsoli on toimintotilassa, käynnistä konsoli uudelleen ja siirry käynnistystilaan painamalla RESET-painiketta yhtäjaksoisesti yli kolmen sekunnin ajan.

Näet, että "U1" vilkkuu (tai viimeksi valittu käyttäjä U1-U4).

- Valitse käyttäjä: valitse valintapyörää kääntämällä U1-U4, vahvista painamalla kiertonuppia.
- Valitse sukupuoli: valitse valintapyörää kääntämällä ♂ (mies) / ♀ (nainen), vahvista painamalla kiertonuppia.
- Aseta ikä (A): valitse valintapyörää kääntämällä Asetusalue: 1 ~ 99 (±1), vahvista painamalla kiertonuppia.
- Aseta pituus (H): valitse valintapyörää kääntämällä Asetusalue: 100~200 cm (±1), vahvista painamalla kiertonuppia.
- Aseta paino (W): valitse valintapyörää kääntämällä Asetusalue: 20~150 kg (±1), vahvista painamalla kiertonuppia.

!! HUOMAUTUS

- Käyttäjän parametrit on asetettava oikein seuraavia varten:
 1. Syketavoiteohjelman oikeaa toimintaa varten.
 2. Kehon rasvan ja BMI:n mittauksen oikeaa toimintaa varten.
- Käyttäjän valitseminen määrittää, mitä käyttäjäohjelmia ladataan. Katso "Käyttäjäohjelma"

Käsin

- Käytä valintapyörän toimintoa valitaksesi harjoitusohjelman. Valitse M (manuaalinen) -tila, vahvista painamalla kiertonuppia.
- Käytä valintapyörän painiketta asettaaksesi ennalta määritetyn harjoitusajan, Asetusalue: 1:00 ~ 23:59:00 minutes (± 1:00), Vahvista painamalla kiertonuppia.
- Käytä valintapyörän painiketta asettaaksesi ennalta määritetyn matkan, Asetusalue: 0.10 ~ 99.90 Km. (± 0.10), Vahvista painamalla kiertonuppia.
- Käytä valintapyörän painiketta asettaaksesi harjoituksen ennalta määritetyt kalorit, Asetusalue: 10 ~9990 Cal. (± 10), vahvista painamalla kiertonuppia.
- Käytä valintapyörän painiketta asettaaksesi rajan pulssille, Asetusalue: 40 ~200 BPM (± 1), vahvista painamalla kiertonuppia.
- Paina START/STOP-painiketta aloittaaksesi harjoittelun.
- Käytä valintapyörän painiketta säätääksesi vastustasoa. Kuormitustaso näkyy LEVEL (taso) -ikkunassa.

!! HUOM

- Jos asetat useamman kuin yhden tavoitteen, harjoitus päättyy, kun ensimmäinen tavoite on saavutettu.
- Jätä tavoite tyhjäksi, niin sitä ei katsota ennalta määritetyksi rajaksi.

- Jos asetat pulssirajan, harjoitus ei pääty, kun ylität asetetun rajan. Kuuluu äänimerkki, joka varoittaa käyttäjää rajan ylittämisestä.

Ohjelmaprofiili 1~12

- Käytä valintapyörän toimintoa valitaksesi harjoitusohjelman. Valitse yksi ennalta määritetyistä profiileista, vahvista painamalla kiertonuppia.
- Käytä valintapyörän painiketta asettaaksesi ennalta määritetyn harjoitusajan, Asetusalue: 1:00 ~ 23:59:00 minuuttia (±1:00)
- Paina START/STOP-painiketta aloittaaksesi harjoittelun.
- Käytä valintapyörän painiketta säätääksesi vastustasoa. Koko profiilia skaalataan vastaavasti. Kuormitustaso näkyy LEVEL (taso) -ikkunassa.

Ohjelmaprofiilitilassa vastus säädetään automaattisesti ennalta määritettyyn profiiliin.

!! HUOM

- Profiilin kunkin vaiheen kesto on 1/20 ennalta määrittämästä harjoitusajasta.
- Jos harjoitusaikaa ei ole asetettu, kunkin vaiheen kesto on 100 mtr., ja profiili alkaa aina toistuvasti uudelleen, kunnes lopetat harjoituksen itse.

!! HUOMAUTUS

- Löydät yleiskatsauksen kustakin ohjelmaprofiilista osiosta F, jossa ne on esitetty kokoonpanopiirustusten jälkeen.

Sykeohjelma

- Käytä valintapyörän toimintoa valitaksesi harjoitusohjelman. Valitse HRC (sydänkuvake), vahvista painamalla kiertonuppia.
- Käytä valintapyörän toimintoa asettaaksesi HRC-tavoitteen:
55% = 55% summasta (220 miinus *Ikä)
75% = 75% summasta (220 miinus *Age)
90% = 90% summasta (220 miinus *Age)
TA = Tavoite (Oletus 100)

Ikä parametri on asetettava kohdassa "Käyttäjän asettaminen"

55 % = 55 % arvosta 220 miinus ikä.

75 % = 75 % arvosta 220 miinus ikä.

90 % = 90 % arvosta 220 miinus ikä.

TA = Tavoite (Oletus 100)

Vahvista painamalla kiertonuppia.

- Kun TA on asetettu, Käytä valintapyörän toimintoa asettaaksesi tavoitteen (40~200), vahvista painamalla kiertonuppia.
- Käytä valintapyörän painiketta asettaaksesi ennalta määritetyn harjoitusajan, Asetusalue: 1:00 ~ 23:59:00 minuuttia (±1:00)
- Paina START/STOP-painiketta aloittaaksesi harjoittelun.
- Käytä RESET-painiketta siirtyäksesi takaisin päävalikkoon.

Sydäntilassa vastus säädetään automaattisesti niin, että sykkeesi saavuttaa ennalta määritetyn HRC-tavoitteen.

!! HUOMAUTUS

- Cardio-tila vaatii toimiakseen sykesignaalin.
- Pääikkunassa näytetään kysymysmerkki ja sydänsymboli, kun konsoli ei vastaanota sykesignaalia.
- Kun syke katoaa yli 5 sekunniksi, ohjelma sammuu automaattisesti taukotilaan.

VINKKI

- Sykeohjattu ohjelma toimii parhaiten, kun käyttäjän asetukset on määritetty oikein.

Wattimääräohjelma (W)

- Käytä valintapyörän toimintoa valitaksesi harjoitusohjelman. Valitse wattimääräohjelma (W), vahvista painamalla kiertonuppia.
- Käytä valintapyörän toimintoa asettaaksesi wattimäärätavoitteen: 100 on ennalta määritetty oletus (10~350 ± 5) vahvista painamalla kiertonuppia.
- Käytä valintapyörän painiketta asettaaksesi ennalta määritetyn harjoitusajan, Asetusalue: 1:00 ~ 23:59:00 minuuttia (±1:00)
- Paina START/STOP-painiketta aloittaaksesi harjoittelun.
- Käytä RESET-painiketta siirtyäksesi takaisin päävalikkoon.

Wattimäärätilassa vastus säädetään automaattisesti niin, että wattimäärä saavuttaa ennalta määritetyn wattimäärätavoitteen.

!! HUOM

- Wattimääräparametri on laskelma RPM:stä ja vastustasosta. Kun RPM on korkeampi, vastus on matalampi. Kun RPM on matalampi, vastus on korkeampi.

Käyttäjöohjelma (U)**Käyttäjän ohjelmointitila.**

- Valittu käyttäjöohjelma avautuu aina ohjelmointitilassa.
- Käytä valintapyörän toimintoa valitaksesi harjoitusohjelman. Valitse käyttäjäprofiili (U), vahvista painamalla kiertonuppia.
 - Käytä valintapyörän toimintoa asettaaksesi vastustason ensimmäiseen profiilivaiheeseen. Vahvista painamalla kiertonuppia.
 - Aseta loput profiilivaiheiden vastustasot jatkamalla samaan tapaan.

!! HUOMAUTUS

- Jokainen ohjelmoimasi vaihe, jonka vahvistat painamalla MODE-painiketta, tallennetaan automaattisesti.
- Ennalta ohjelmoitua käyttäjöohjelmaa ei voi poistaa, mutta sen voi korvata, joten voit päivittää profiiliin aina tarpeidesi mukaiseksi.

Käyttäjöohjelman käynnistäminen

- Kun laite on ohjelmointitilassa, avaa ajan ohjelmointitila painamalla MODE-painiketta yhtäjaksoisesti kahden sekunnin ajan missä tahansa ohjelmointitilan vaiheessa.
- Käytä valintapyörän painiketta asettaaksesi ennalta määritetyn harjoitusajan, Asetusalue: 1:00 ~ 23:59:00 minuuttia (±1:00)
- Paina START/STOP-painiketta aloittaaksesi harjoittelun.
- Käytä RESET-painiketta siirtyäksesi takaisin päävalikkoon.

Käyttäjän ohjelma -profiilitilassa vastus säädetään automaattisesti ennalta määritettyyn profiiliin. Profiiliin kunkin vaiheen kesto on 1/8 ennalta määrittämästäsi harjoitusajasta.

!! HUOMAUTUS

- Käyttäjöprofiilia kohden on käytettävissä vain yksi käyttäjöohjelma. Katso "Käyttäjän asettaminen"

Recovery (Palautuminen)

Palautumistoiminnolla rekisteröidään sydämen tila mittaamalla sykkeen palautumisnopeus lyönteinä minuutissa. Mitä nopeammin sykkeesi laskee normaaliksi, sitä paremmassa kunnossa olet. Siksi tätä toimintoa tulisi käyttää parhaiten suoraan harjoittelun jälkeen.

- RECOVERY-näppäin toimii vain, jos konsoli havaitsee sykkeen signaalin.
- Näytössä näkyvä aika-arvo TIME on 0:60 (sekuntia) ja aika lasketaan taaksepäin 0:an.
- Taaksepäin laskemisen jälkeen näytössä esitetään arvot F1 - F6 sykkeen palautumistilan tarkistamiseksi. Käyttäjä voi tarkistaa sykkeen palautumisasteen alla olevan kaavion avulla.
- Voit palata alkuun painamalla uudestaan näppäintä RECOVERY.

Testituloksen lukeminen.

Tulos perustuu sydämesi syketilaa. Kun olet aktiivinen, sykkeesi nousee lyönteinä minuutissa (BPM).

Kun lopetat harjoituksen, sykkeesi vakautuu normaaliksi. Mitä nopeammin sykkeesi vakautuu, sitä parempi sydämesi kunto on. Kun sykkeesi laskee vähintään 31 BPM testiminuutin aikana, tuloksesi on F1.

Kun sykkeesi laskee 25–30 BPM testiminuutin aikana, tuloksesi on F2. Ja niin edelleen.

F1	Loistava	31+
F2	Erinomainen	25–30
F3	Hyvä	20–24
F4	Keskiarvon yläpuolella	16–19
F5	Keskimääräinen	12–15
F6	Keskiarvon alapuolella	9–11
F7	Huolestuttava	6–8
F8	Huono	3–5
F9	Erittäin huono	0–2
F0	Virhe	Virhe / tulos on miinusmerkkinen

!! HUOMAUTUS

- "Recovery" (Palautuminen) -tulostietoja voidaan käyttää vain henkilökohtaisena viitteenä, eikä niillä ole mitään lääketieteellistä arvoa.
- Kun sykkeesi nousi testiminuutin aikana, se osoitetaan tuloksella F0.

Body Fat (Kehon rasvan mittaus)

- Aloita kehon rasvan mittaus painamalla näppäintä BODY FAT.
- Mittauksen aikana käyttäjän on pidettävä kummallakin kädellä kiinni käsikahvoista. Nestekidenäytössä näkyy "----"~ "----" 8 sekunnin ajan, kunnes mittari lopettaa mittauksen.
- Nestekidenäytössä esitetään BMI ja rasvaprosentti.

!! HUOM

- Tämä toiminto edellyttää, että käyttäjäprofiiliasetukset ovat oikein.

Virhekoodit kehon rasvan mittauksessa

- *E-1: Konsoli ei havaitse sykkeen signaalia.
- *E-4: Rasvaprosentti- ja BMI-tulos on pienempi kuin 5 tai suurempi kuin 50.

VINKKI

- Kehon rasvan ja BMI:n mittaus toimii parhaiten, kun käyttäjän asetukset on määritetty oikein.

Sovellus & Bluetooth

- Tämä konsoli voi muodostaa yhteyden älylaitteen sovellukseen Bluetoothiin välityksellä. (iOS & Android)
- Luo Bluetooth-yhteys vain asennetun APP-yhteystilan avulla älykkäässä laitteessa.
- Kun konsoli on yhdistetty älylaitteeseen Bluetoothin välityksellä, konsoli kytkeytyy pois päältä.

!! HUOM

- Tunturi ainoastaan tarjoaa mahdollisuuden yhdistää kuntolaitte Bluetooth-yhteyden välityksellä. Tunturi ei siten ole vastuussa muiden kuin Tunturi-tuotteiden vahingoista tai toimintahäiriöistä.
- Tarkista verkkosivuilla lisätietoja.

Tämä konsoli voi vastaanottaa Bluetooth-sykemittarin. Laitetta ei tarvitse muodostaa pariiksi, koska konsoli tunnistaa automaattisesti sykemittarin, kun se on alueella.

Puhdistus ja huolto

Laitte ei vaadi erityishuoltoa. Laitte ei vaadi uudelleenkalibrointia kokoonpanon, käytön ja ohjeiden mukaan suoritetun huollon jälkeen.

⚠ VAROITUS

- Irrota adapteri ennen puhdistusta ja huoltoa.
 - Älä käytä liuottimia laitteen puhdistukseen.
 - Lapset eivät saa puhdistaa laitetta tai tehdä käyttäjälle tehtäviä huoltotoimenpiteitä ilman valvontaa.
- Puhdista laite pehmeällä, imukykyisellä kankaalla jokaisen käytön jälkeen.
 - Tarkista säännöllisesti kaikkien ruuvien ja mutterien olevan tiukasti kiinni.
 - Voitele nivelet tarvittaessa.

Viat ja häiriöt

Huolimatta jatkuvasti laadunvarmistuksesta laitteessa voi tapahtua yksittäisen osan aiheuttamia vikoja ja häiriöitä. Useimmissa tapauksissa viallisen osan vaihtaminen on riittävää

- Jos laite ei toimi normaalisti, ota välittömästi yhteys jälleenmyyjään.
- Anna jälleenmyyjälle laitteen malli- ja sarjanumero. Kerro ongelman luonne, käyttöolosuhteet ja ostopäivä.

Vianmääritys:

- Jos signaalia ei tule harjoituksen aikana, tarkista, että kaapeli on kytketty oikein.

!! HUOMAUTUS

- Jos tietokone näyttää epänormaaleja tietoja, asenna muuntaja uudestaan ja yritä uudestaan.

Epätasainen tunne käytön aikana

Jos kone tuntuu epävakaalta tai epävakaalta käytön aikana, kannattaa säätää tukijalat, jotta runko on oikeaan korkeuteen. Lue tämän käyttöoppaan ohjeet isoista: "Käyttö"

Kuljetus ja säilytys

⚠ VAROITUS

- Irrota adapteri ennen kuljetusta ja varastointia.
- Vähintään kahden henkilön on kannettava ja siirrettävä laitetta.

- Seisokaa laitteen edessä sen kummallakin puolella ja tarttuka tiukasti kiinni käsitangoista. Nostakaa laitetta siten, että laitteen takapää on pyöriällä. Siirtäkää laite ja laskekaa se varovasti alas. Asettakaa laite suojalustalle lattiapinnan vaurioiden estämiseksi.
- Siirrä laitetta varovasti epätasaisilla pinnoilla. Älä siirrä laitetta yläkertaan pyöriä käyttäen. Suorita siirto kahvatuista kantaen.
- Säilytä laitetta kuivassa, mahdollisimman tasalämpötilaisessa paikassa.

Takuu

Tunturi-kuntolaitteen omistajan takuu

Takuuehdot

Kuluttaja on oikeutettu soveltuviin, kansallisessa kuluttajatuotteiden kauppaa koskevassa lainsäädännössä mainittuihin lakisääteisiin oikeuksiin. Tämä takuu ei rajoita näitä oikeuksia. Ostajan takuu on voimassa vain, jos tuotetta käytetään ympäristössä, jonka Tunturi New Fitness BV on kyseiselle laitteelle hyväksynyt. Kunkin tuotteen sallitut käyttöympäristöt ja huolto-ohjeet on esitetty tuotteen käyttöohjeessa. Käyttöohje on ladattavissa verkkosivustoltamme. <http://manuals.tunturi.com>

Takuuehdot

Takuuehdot tulevat voimaan tuotteen ostopäivästä lukien. Takuuehdot voivat olla erilaiset eri maissa, joten pyydä takuuehdot paikalliselta jälleenmyyjältä.

Takuun kattavuus

Missään olosuhteissa Tunturi New Fitness BV tai Tunturi-jälleenmyyjä ei vastaa ostajalle mahdollisesti aiheutuvista välillisistä vahingoista, kuten käyttöhyödyn tai tulojen menetyksestä taikka muista taloudellisista seurausvahingoista.

Takuun rajoitukset

Takuu kattaa työstä ja materiaalista johtuvat virheet kuntolaitteessa, joka on alkuperäisessä kokoonpanossaan.

Takuu koskee vain virheitä, jotka ilmenevät normaalissa ja laitteen mukana tulleen ohjekirjan mukaisessa käytössä edellyttäen, että Tunturin asennus-, huolto- ja käyttöohjeita on noudatettu. Tunturi New Fitness BV:n ja Tunturin jälleenmyyjät eivät vastaa virheistä, jotka aiheutuvat heidän vaikutusmahdollisuuksiensa ulkopuolella olevista seikoista. Takuu on voimassa vain niissä maissa, joissa Tunturi New Fitness BV:llä on valtuutettu maahantuoja. Takuu ei koske sellaisia kuntolaitteita tai osia, joita on muutettu ilman Tunturi New Fitness BV:n suostumusta. Takuu ei koske virheitä, jotka johtuvat luonnollisesta kulumisesta, virheellisestä käytöstä, käytöstä olosuhteissa, joihin kuntolaitetta ei ole tarkoitettu, korroosiosta tai lastaus- tai kuljetusvahingoista.

Takuu ei koske käyttöäniä, jotka eivät olennaisesti haittaa laitteen käyttöä eivätkä johdu laitteesta olevasta virheestä. Takuu ei myöskään sisällä kunnossapitotoimenpiteitä, kuten puhdistusta, voitelua tai sen osien normaalia tarkistamista, eikä sellaisia asennustoimenpiteitä, jotka asiakas voi suorittaa itse ja jotka eivät edellytä erityistä kuntolaitteen purkamista / kokeamista. Tällaisia toimenpiteitä ovat esim. mittareiden, polkimien tai muiden vastaavien yksinkertaisten osien vaihdot. Muun kuin valtuutetun Tunturi-edustajan suorittamia takuukorjauksia ei korvata. Laitteen käyttöohjeen noudattamatta jättäminen aiheuttaa takuun raukeamisen.

Tekniset tiedot

Parametri	Mittayksikkö	Arvo
Pituus	cm	120.5
	inch	47.4
Leveys	cm	59.5
	inch	23.4
Korkeus	cm	146.5
	inch	57.7
Paino	kg	37.5
	lbs	82.7
Suurin sallittu käyttäjän paino	kg	150.0
	lbs	330.0
Muuntajan lähtötiedot	Jännite Ampeeri	9V-DC 2.0 A
Syke voidaan mitata seuraavasti:	käsi kahvojen anturit	Joo
	5.0 Khz	Ei
	5.3 Khz.	Ei
	Bluetooth (BLE)	Joo
	ANT+	Ei

Valmistajan vakuutus

Tunturi New Fitness BV vakuuttaa, että Signature E50 Pystypyöra on seuraavien standardien ja direktiivien mukainen:

- RoHS-direktiivi (2011/65/EU)
- Yleinen tuoteturvallisuusasetus (GPSR) – (EU) 2023/988

Täten Tunturi New Fitness BV vakuuttaa, että radiolaitetyyppinen Signature E50 Pystypyöra harjoituslaite on direktiivin mukainen 2014/53/EU.

Vaatimustenmukaisuusvakuutus, joka sisältää kaikki standardit ja direktiivit, on ladattavissa verkkosivustoltamme: <https://doc.tunturi.com>

Tunturi New Fitness BV
Purmerweg 1
1311 XE Almere
Alankomaat

Vastuuvapauslauseke

© 2025 Tunturi New Fitness BV

Kaikki oikeudet pidätetään.

- Tuote ja käyttöopas saattavat muuttua.
- Teknisiä tietoja saatetaan muuttaa ilman eri ilmoitusta.
- Katso käyttöohjeiden uusien versio verkkosivustoltamme.

TUNTURI®

FEEL BETTER EVERY DAY

TUNTURI NEW FITNESS B.V.

Purmerweg 1
1311 XE Almere
The Netherlands

P.O. Box 60001
1320 AA Almere
The Netherlands

info@tunturi.com
www.tunturi.com



20250826-W